

6525/2124-3701-6021-242 Art. No. 282372



- Stainless steel enclosure as standard for a long service life and safety even under harsh ambient conditions
- Extremely wide range of ambient temperatures – between -60 °C and +60 °C
- Robust design with IK10 and IP66
- Wide-range input with optional 100 V to 277 V
- DALI versions available for lighting control, monitoring and switching

MY R. STAHL 6525C



The wide-range input now also meets the electrical installation conditions for global use. With an optional DALI interface, the floodlight paves the way to a digital lighting solution. Its extremely low start-up current can also support existing installations, as the circuit breakers that are already installed do not need to be replaced.

Technical Data

Explosion Protection	
Application range (zones)	2, 21, 22
IECEX gas certificate	IECEX EPS 15.0032
IECEX gas explosion protection	Ex nR IIC T5 Gc
IECEX dust certificate	IECEX EPS 15.0032
IECEX dust explosion protection	Ex tb op is IIIC T100 °C Db
ATEX gas certificate	EPS 15 ATEX 1 991
ATEX gas explosion protection	Ex II 3 G Ex nR IIC T5 Gc
ATEX dust certificate	EPS 15 ATEX 1 991
ATEX dust explosion protection	Ex II 2 D Ex tb op is IIIC T100 °C Db
Certificates	ATEX (BVIS), IECEX (BVIS), India (PESO)
Electrical Data	
Rated operational voltage AC	110 ... 277 V
Frequency range	50 – 60 Hz
Lighting Data	
Lamp wattage	160 W
Lamp type	LED
Lamp	LED
Light colour	Cool white
Light distribution	Wide beam
Luminaire efficacy	114 lm/W
Luminous flux	17640 lm
Colour rendering	≥ 70
Colour temperature	5700 K
Ambient Conditions	
Ambient temperature	-60 °C ... +60 °C
Storage temperature	-40 °C ... +75 °C

6525/2124-3701-6021-242 Art. No. 282372

Mechanical Data

Degree of protection (IP)	IP66
Class	I
Enclosure material	Stainless steel 1.4404, Powder-coated Double powder-coated
Enclosure colour	Similar to RAL 9010
Sealing material	Silicone
Pane material	Reinforced glass
Max. solid connection terminals	6 mm ²
Max. finely stranded connection terminals	4 mm ²
Type of connection cable	Finely stranded Solid
Width	400 mm
Height	70 mm
Length	520 mm
Impact strength (IEC 62262)	IK10
Mounting	With bracket, SS316L
Weight	15.5 kg
Weight	34.17 lb

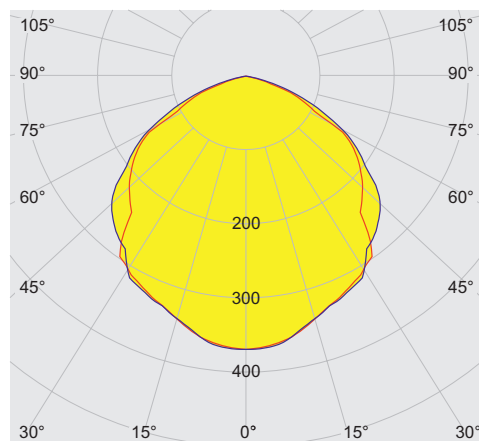
Mounting / Installation

Note about mounting	Provided
---------------------	----------

Components

Drilled holes	3 x M20
Cable glands and entries	CMP-20A2F 1 x M20 x 1.5
Material cable gland	Nickel-plated brass
Cable entry accessories	1 x with plug
Stopping plugs	1 x M20 x 1.5
Stopping plug material	Polyamide, black

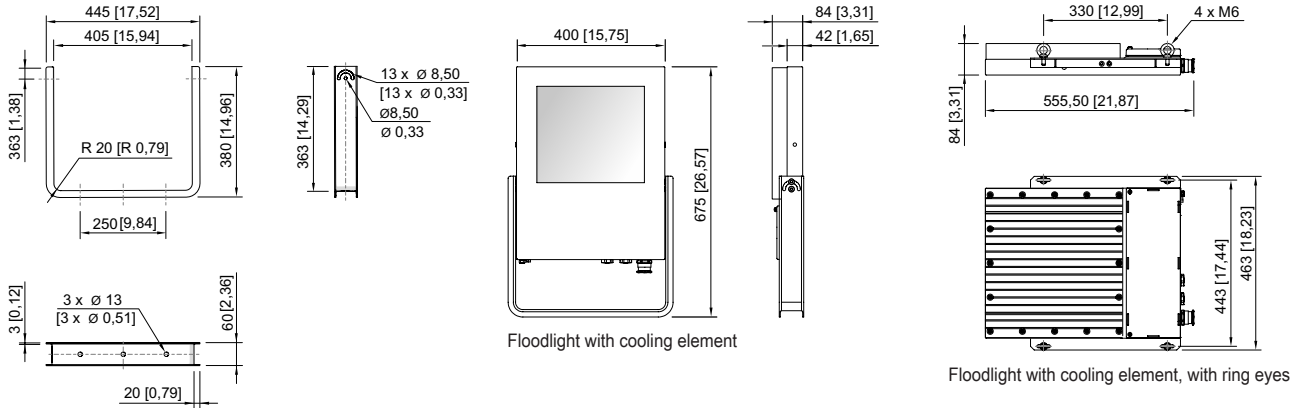
Light Distribution Curves



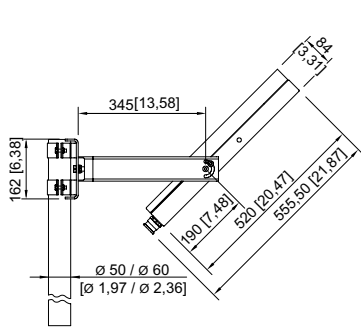
cd/klm 100%
 — C0 - C180 — C90 - C270
 typ. broad beam

6525/2124-3701-6021-242 Art. No. 282372

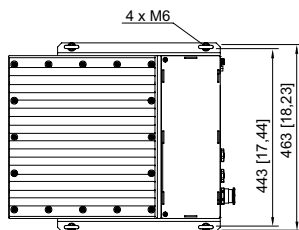
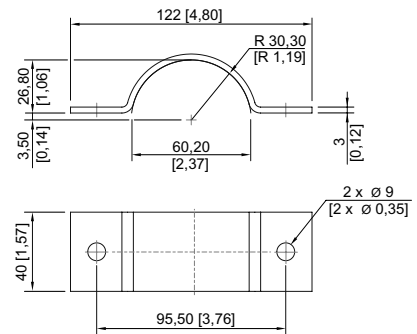
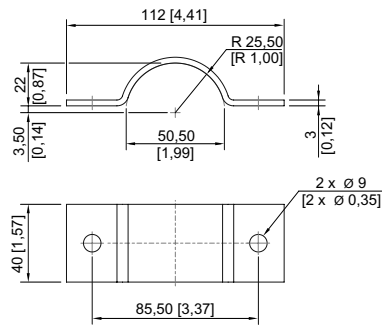
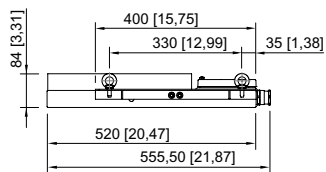
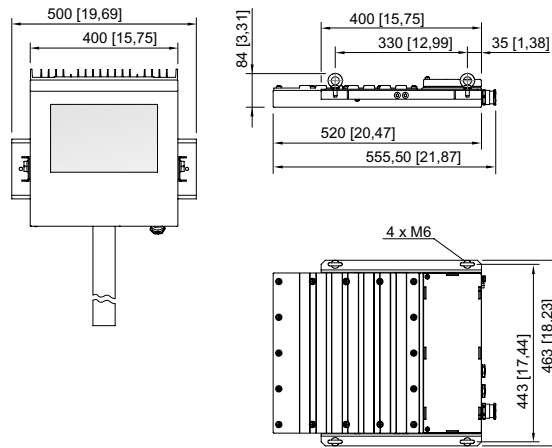
Dimensional Drawings (All Dimensions in mm [inches]) – Subject to Alterations



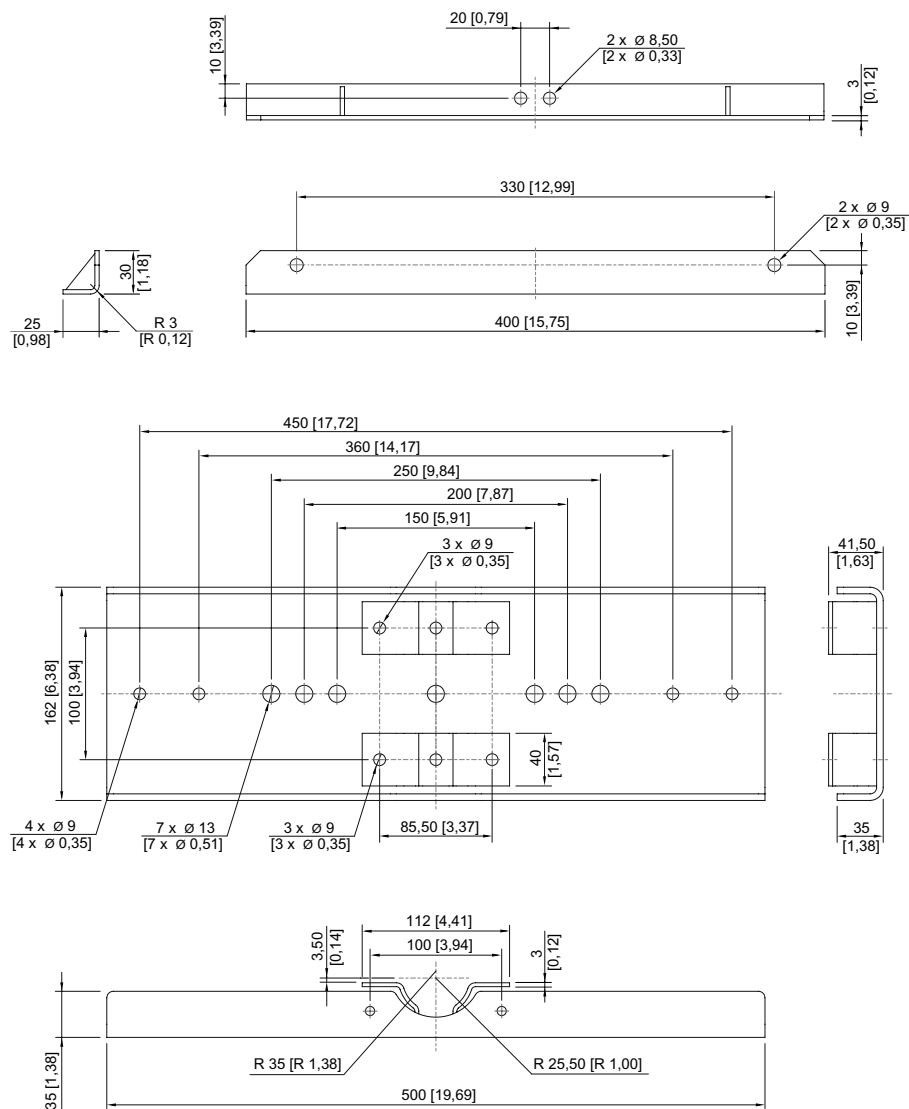
Mounting bracket



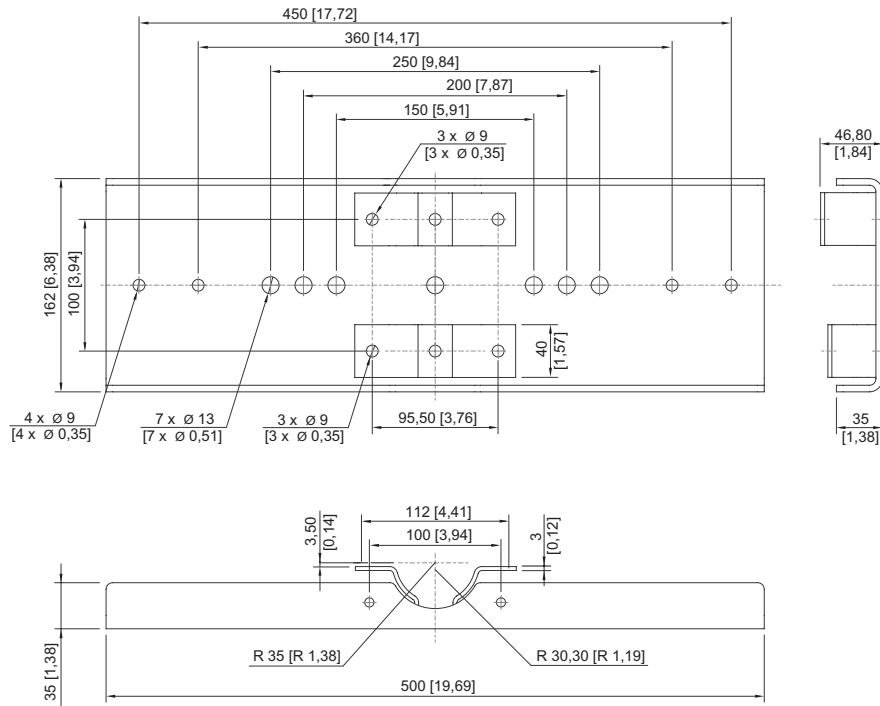
Floodlight with pole mounting



6525/2124-3701-6021-242 Art. No. 282372



6525/2124-3701-6021-242 Art. No. 282372



Accessories

Mounting bracket

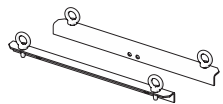


Stainless steel SS316L (1.4404 or V4A) without powder coating

Art. No.

221589

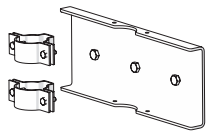
Mounting set



for pendant mounting with ring bolts included - stainless steel SS316L (1.4404 or V4A) without powder coating

Art. No.

257464



for pole mounting with pole diameter of 50 mm - stainless steel SS316L (1.4404 or V4A) without powder coating

Art. No.

283361

for pole mounting with pole diameter of 60 mm - stainless steel SS316L (1.4404 or V4A) without powder coating

Art. No.

263824

We reserve the right to make alterations to the technical data, dimensions, weights, designs and products available without notice. The illustrations cannot be considered binding.