

6125/2124-5501-6021-331 Art. No. 282380



- LED high-power floodlight with power consumption of up to 225 W
- Wide-range voltage input between 110 V and 277 V (50 Hz and 60 Hz)
- Suitable for operation in central battery systems and DC mains (176 V to 264 V DC)
- Three wattage classes are available: 100 W, 160 W and 225 W
- An enclosure made from stainless steel 316L is also available for marine and offshore applications.
- Optionally available with DALI interface

MY R. STAHL 6125B



The new generation of LED floodlights for Zone 1 also relies on the tried-and-tested, robust stainless steel enclosure (optionally seawater-resistant stainless steel 316L). However, thanks to their smaller design and a new generation of drivers, they weigh significantly less, thereby improving ergonomics during installation and operation. Now with three power classes and the three tried-and-tested light distribution curves, the LED floodlight generates three colours of LED light – warm white, neutral white and cold white.

Technical Data

| Explosion Protection | |
|---------------------------------|---|
| Application range (zones) | 1, 2, 21, 22 |
| IECEX gas certificate | IECEX EPS 15.0087 |
| IECEX gas explosion protection | Ex db eb op is IIC T4 Gb |
| IECEX dust certificate | IECEX EPS 15.0087 |
| IECEX dust explosion protection | Ex tb op is IIIC T100 °C Db |
| ATEX gas certificate | EPS 15 ATEX 1 114 |
| ATEX gas explosion protection | Ex II 2 G Ex db eb op is IIC T4 Gb |
| ATEX dust certificate | EPS 15 ATEX 1 114 |
| ATEX dust explosion protection | Ex II 2 D Ex tb op is IIIC T100 °C Db |
| Certificates | ATEX (BVIS), Brazil (ULB), IECEx (BVIS), India (PESO) |
| Declaration of conformity | ATEX (EUK) |
| Electrical Data | |
| Rated operational voltage AC | 110 ... 277 V |
| Frequency range | 50 – 60 Hz |
| Lighting Data | |
| Lamp wattage | 225 W |
| Lamp type | LED |
| Lamp | LED |
| Light colour | Cool white |
| Light distribution | Wide beam |
| Luminaire efficacy | 103 lm/W |
| Luminous flux | 22654 lm |
| Colour rendering | ≥ 70 |
| Colour temperature | 5700 K |

6125/2124-5501-6021-331 Art. No. 282380

Ambient Conditions

| | |
|---------------------|-------------------|
| Ambient temperature | -60 °C ... +60 °C |
| Storage temperature | -40 °C ... +75 °C |

Mechanical Data

| | |
|---|---|
| Degree of protection (IP) | IP66 |
| Class | I |
| Enclosure material | Stainless steel 1.4301, Powder-coated Single-layer powder-coated |
| Enclosure colour | Similar to RAL 9010 |
| Sealing material | Silicone |
| Pane material | Reinforced glass |
| Max. solid connection terminals | 6 mm ² |
| Max. finely stranded connection terminals | 4 mm ² |
| Type of connection cable | Finely stranded Solid |
| Width | 400 mm |
| Height | 84 mm |
| Length | 520 mm |
| Impact strength (IEC 62262) | IK10 |
| Mounting | With bracket, SS304 |
| Weight | 19 kg |
| Weight | 41.89 lb |

Mounting / Installation

| | |
|---------------------|----------|
| Note about mounting | Provided |
|---------------------|----------|

Components

| | |
|--------------------------|----------------------------|
| Drilled holes | 3 x M20 |
| Cable glands and entries | 1 x M20 x 1.5 CMP-20A2F |
| Material cable gland | Nickel-plated brass |
| Stopping plugs | 2 x M20 x 1.5 |
| Stopping plug material | Polyamide, black |

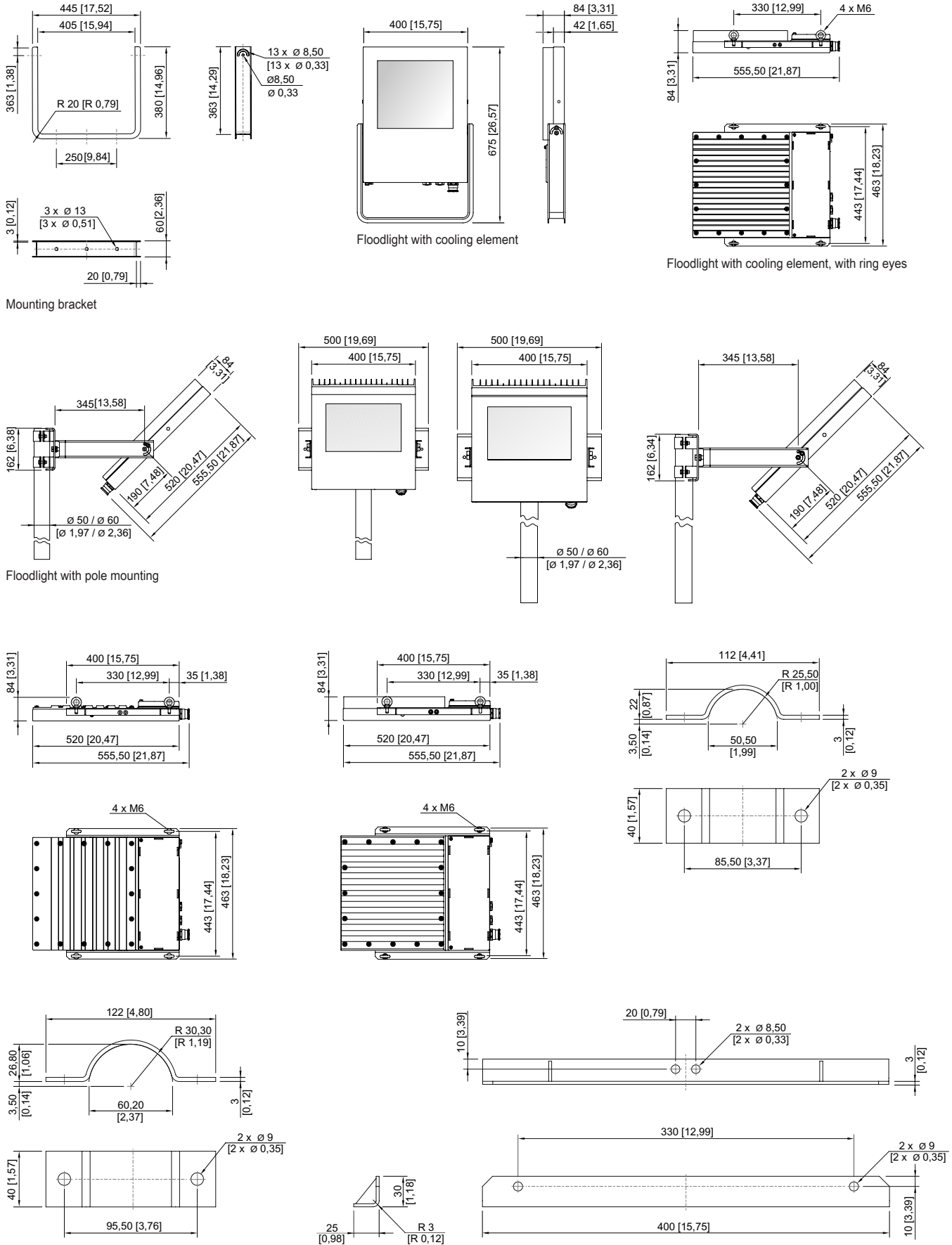
Light Distribution Curves



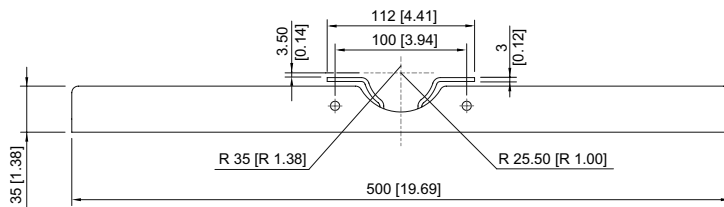
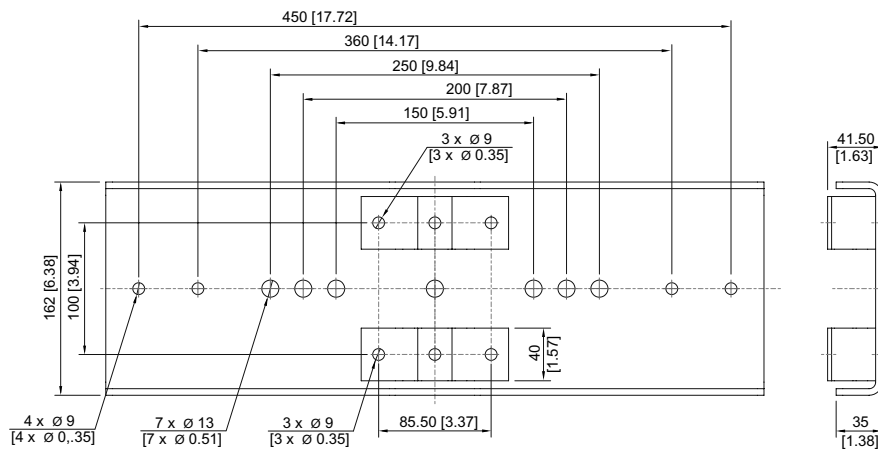
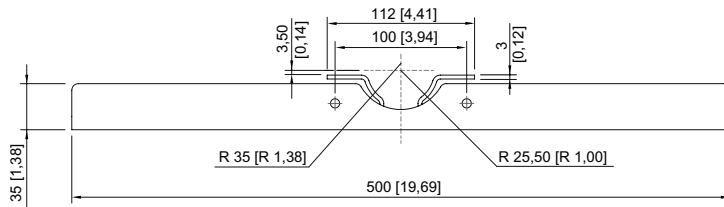
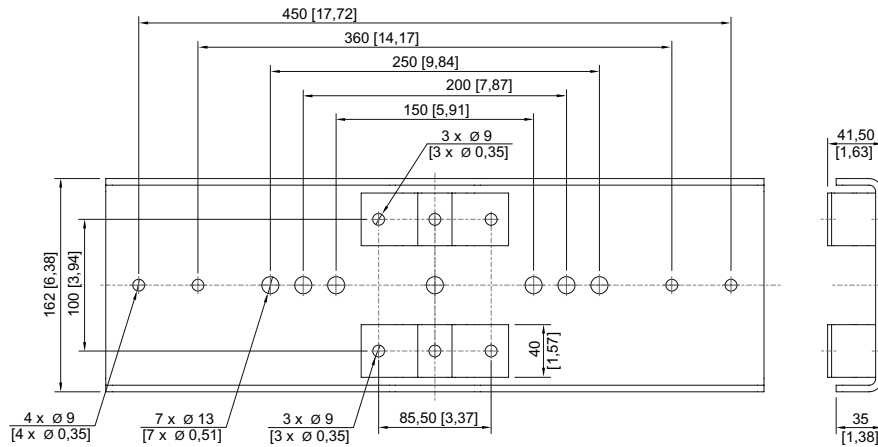
cd/klm 100%
 — C0 - C180 — C90 - C270
 typ. broad beam

6125/2124-5501-6021-331 Art. No. 282380

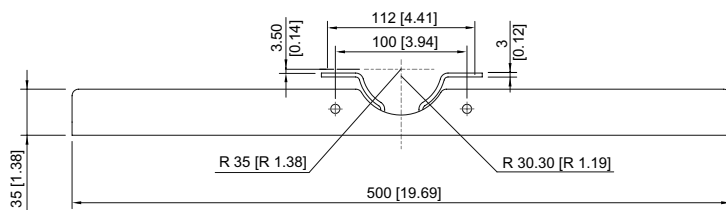
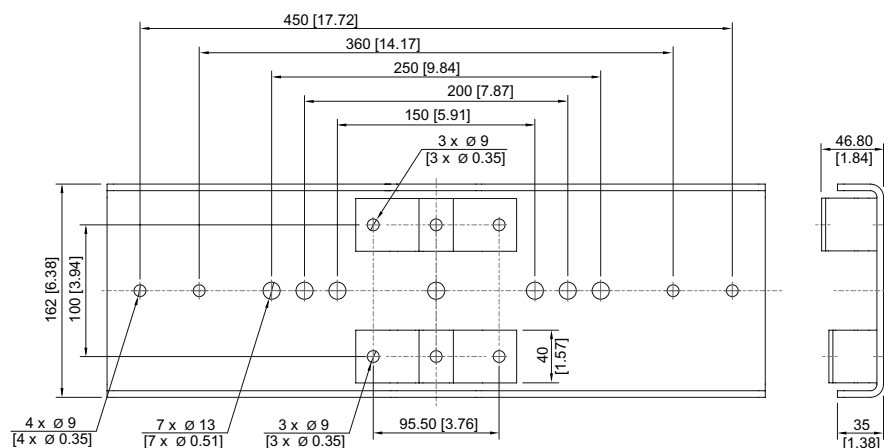
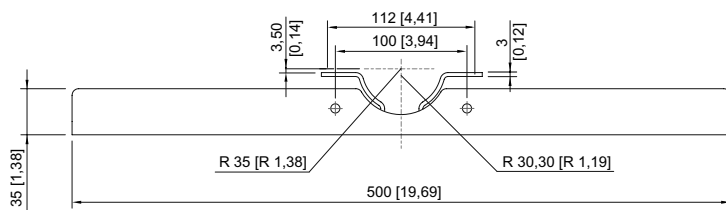
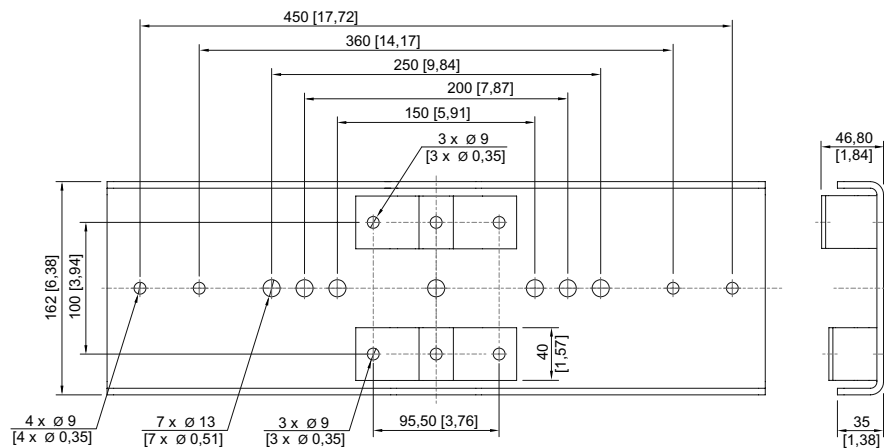
Dimensional Drawings (All Dimensions in mm [inches]) – Subject to Alterations



6125/2124-5501-6021-331 Art. No. 282380

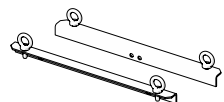


6125/2124-5501-6021-331 Art. No. 282380



Accessories

Mounting set

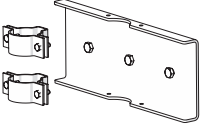


for pendant mounting with ring bolts included - stainless steel SS316L (1.4404 or V4A) without powder coating

Art. No.


257464

6125/2124-5501-6021-331 Art. No. 282380

| | | |
|--|---|--------|
|  | for pole mounting with pole diameter of 50 mm - stainless steel SS316L (1.4404 or V4A) without powder coating | 283361 |
| | for pole mounting with pole diameter of 60 mm - stainless steel SS316L (1.4404 or V4A) without powder coating | 263824 |


Ring bolt

Art. No.

| | | |
|--|---|--------|
|  | M6 (4 pieces), direct mounting in insert nuts | 254234 |
|--|---|--------|

Mounting bracket

Art. No.

| | | |
|--|---|--------|
|  | Sheet steel, single powder coated | 244604 |
| | Stainless steel SS316L (1.4404 or V4A) without powder coating | 221589 |

We reserve the right to make alterations to the technical data, dimensions, weights, designs and products available without notice. The illustrations cannot be considered binding.