

Control Devices

Control device system ConSig 8040 series

Mushroom stay-put button

8040/12E8X-15L09SA05 Art. No. 286998



ConSig



- Quad certified control stations (NEC®, CE Code, ATEX, IECEX)
- Lightweight enclosure made from fiberglass reinforced polyester (FRP), excellent for corrosive atmospheres
- Offers a variety of pushbuttons, illuminated pushbuttons, control switches and LEDs for different configurations
- Customizable control stations available upon request with different entry, contact options and additional certifications

MY R. STAHL 8040E



R. STAHL's series 8040 NEC®/ CE Code control stations utilize explosion-protected components with non-metallic enclosures for the ultimate flexibility, safety and durability in hazardous and hostile locations. Choose from one of the standard versions or contact us for a customized solution.

Technical Data

Explosion Protection

| | |
|---------------------------------|---|
| Scope of validity | European Union (ATEX) Canada IECEX USA |
| Application range (zones) | 1 2 21 22 |
| IECEX gas certificate | IECEX PTB 06.0025 |
| IECEX gas explosion protection | Ex db eb IIC T6 Gb |
| IECEX dust certificate | IECEX PTB 06.0025 |
| IECEX dust explosion protection | Ex tb IIIC T80 °C Db |
| ATEX gas certificate | PTB 01 ATEX 1105 |
| ATEX gas explosion protection | ⊕ II 2 G Ex db eb IIC T6 Gb |
| ATEX dust certificate | PTB 01 ATEX 1105 |
| ATEX dust explosion protection | ⊕ II 2 D Ex tb IIIC T80 °C Db |
| Certificate ULus | E182378V1S5 |
| Marking ULus | Class I, Div. 2, Groups A,B,C,D Class II, III, Div. 2, F,G Class I, Zone 1, AEx db eb IIC T6 Enclosure Type 3, 4, 4X |
| Certificate cUL | E182378V1S5 |
| Marking cUL | Ex db eb IIC T6 Class I, Div. 2, Groups A,B,C,D Class II, III, Div. 2, F, G Enclosure Type 3, 4, 4X |
| Certificates | ATEX (PTB), Brazil (ULB), Canada (UL), China (NEPSI), IECEX (PTB), India (PESO), Korea (KGS), Taiwan (ITRI), USA (UL) |
| Ship approval | DNVGL |

Control Devices

Control device system ConSig 8040 series

Mushroom stay-put button

8040/12E8X-15L09SA05 Art. No. 286998



Explosion Protection

| | |
|-------|--|
| Notes | Product label for standard configurations as NEC®, CE Code, ATEX, and IECEx. For additional certifications, contact factory. |
|-------|--|

Electrical Data

| | |
|------------------------------|-------|
| Rated operational voltage AC | 550 V |
| Rated operational current | 10 A |

Ambient Conditions

| | |
|---------------------|--------------------|
| Ambient temperature | -50 °C ... +40 °C |
| Ambient temperature | -58 °F ... +104 °F |

Mechanical Data

| | |
|--|--|
| Degree of protection (IP) | IP66 |
| Degree of protection IP (IEC 60529) | IP66 |
| Enclosure Type (UL50 & UL50E) | 3, 4, 4X |
| Enclosure material | Polyester resin, Glass fibre reinforced |
| Enclosure colour | Dark grey |
| Silicone-free | No |
| AWG clamping range | 14 AWG |
| Connection cross-section max. | 2.5 mm ² |
| Solid connection cross section | 0.32 – 2.5 mm ² |
| Connection cross-section AWG single stranded | 22 AWG to 14 AWG |
| Finely stranded connection cross section | 0.32 – 2.5 mm ² |
| Finely stranded connection cross-section AWG | 22 AWG - 14 AWG |
| Cover fixing type | With captive screws, M4 stainless steel screws |
| Width | 80 mm |
| Width, inches | 3.15 in |
| Height | 139 mm |
| Height, inches | 5.47 in |
| Depth | 72 mm |
| Depth, inches | 2.76 in |
| Seal | Silicone, foamed |
| Weight | 616 g |
| Weight | 1.36 lb |

Mounting / Installation

| | |
|---|-------------|
| Tightening torque of cover screw 1 | 1.4 Nm |
| Tightening torque of cover screw 1 lbf in | 12.4 lbf in |

Components

| | |
|------------------------------|---|
| Installation position middle | EM-STOP mushroom stay-put button 55, Red – (rotating arrow), With silicone seal |
| Built-in element middle | Contact element NC/NO |
| Flange and plates | Metal plate, bottom |
| Entry type | CMP |
| Entry 1 type | Metal adapter |
| Entry 1 | NPT 3/4" |
| Metal entry possible 1 | Yes |

Control Devices

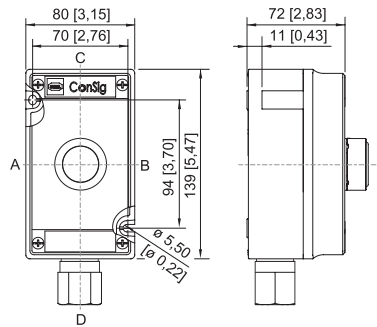
Control device system ConSig 8040 series

Mushroom stay-put button

8040/12E8X-15L09SA05 Art. No. 286998



Dimensional Drawings (All Dimensions in mm [inches]) – Subject to Alterations



ConSig 8040/12E

Accessories

Mushroom stay-put button 55 mm EM-STOP

BG015

Art. No.



Ø 55 mm
Yellow/red
Designation plate: With yellow backing plate
Silicone-free: No

244637

We reserve the right to make alterations to the technical data, dimensions, weights, designs and products available without notice. The illustrations cannot be considered binding.