

EC-910-AFZ-I0D-P04 Art. No. 289860



- All-round Full HD zoom camera with 10x zoom
- PoE+, 24 VDC or 24 VAC
- Including wall / ceiling mount bracket
- Zones 1, 2, 21, 22
- Day / night, WDR, ONVIF Q, S, T
- with a 4 m long armoured multi-cable

MY R. STAHL EC910AFZB



ONVIF 1.0 2.0 3.0



The EC-910-AFZ PoE+ camera combines state-of-the-art camera technology with Full HD resolution, WDR, zoom and defog function for hazardous areas. The 10x zoom version provides sharp, crystal-clear images and is universally applicable in the oil and gas industries and in the chemical, pharmaceutical and related industries.

To ensure guaranteed resistance to adverse weather, the EC-910-AFZ with 10x zoom has been tested and certified by Lloyd's Register for marine application. Lloyd's attests the camera's reliability with regard to temperature, corrosion and vibration resistance as well as EMC.

The camera is certified acc. to ATEX, IECEx for Zone 1, 2, 21, 22. The stainless-steel sun-protection and the wall / ceiling mount bracket are part of the standard delivery.

Technical Data

Explosion Protection

Application range (zones)	1, 2, 21, 22
Certifications	ATEX, IECEx
IECEx gas certificate	ULD 18.0001X
IECEx gas explosion protection	Ex db IIB T5 Gb
IECEx dust certificate	ULD 18.0001X
IECEx dust explosion protection	Ex tb IIIC 100 °C Db
ATEX gas certificate	18 ATEX 2001X
ATEX gas explosion protection	Ex II 2 G Ex db IIB T5 Gb
ATEX dust certificate	18 ATEX 2001X
ATEX dust explosion protection	Ex II 2 D Ex tb IIIC 100 °C Db
Lloyd's Register categories	ENV1, ENV2, ENV3, ENV5

Electrical Data

Rated operational voltage AC	24 V
Rated operational voltage DC	24 V
Rated operational current AC	1.32 A
Rated operational current for DC	0.9 A
Power consumption	21 W
Interfaces	TX, PoE+
Connection	Ethernet LAN 100Base-TX, RJ45

Camera Data

Sensor	1/3" CMOS 2.55 MPixel
Lens	f = 5.1 mm (w), 51 mm (d) From F1.6 to F1.8

EC-910-AFZ-I0D-P04 Art. No. 289860

Camera Data

Viewing angle	54° (wide) 4.9° (tele)
Focus	Automatic focus
Zoom	10x (320x, with digital zoom)
Resolution	Full HD to 320x180 p
Pixel	2.55 megapixels
Minimum working distance	100 mm to 1000 mm (tele)
Minimum illumination B/W (ICR-ON)	0.1 lx IRE 50% 0.025 IRE 50% (slow shutter)
Minimum illumination color (ICR-OFF)	0.5 lx IRE 50% 0,125 lx IRE 50% (slow shutter)
Number of streams	3 independent video streams Full HD
Frame rate (fps)	1 to 60 frames per second
S/N ratio	50 dB
Back light compensation	Yes
Electronic shutter	1/8 s to 1/30000 s, 14 steps
Compression	H.264, MJPEG, JPEG, MPEG4
De-fog	Yes (on/off)
WDR (dynamic range)	130 dB
White balance	Auto, Indoor, Outdoor, manual
Wide Dynamik Range	On/off, light level
Motion detection	Yes
Web server	Yes

Software

Network protocol	ONVIF profiles Q,S,T
Network Configuration	TCP/IPv4-IPv6, UDP/IPv4-IP6, HTTP, HTTPS, NTP, DHCP, WS- DISCOVERY, DSCP, SOAP, DNS, IGMP (Multicast)
Streaming	RTSP, RTCP, RTP/IPv4-IPv6, HTTP, Multicast

Ambient Conditions

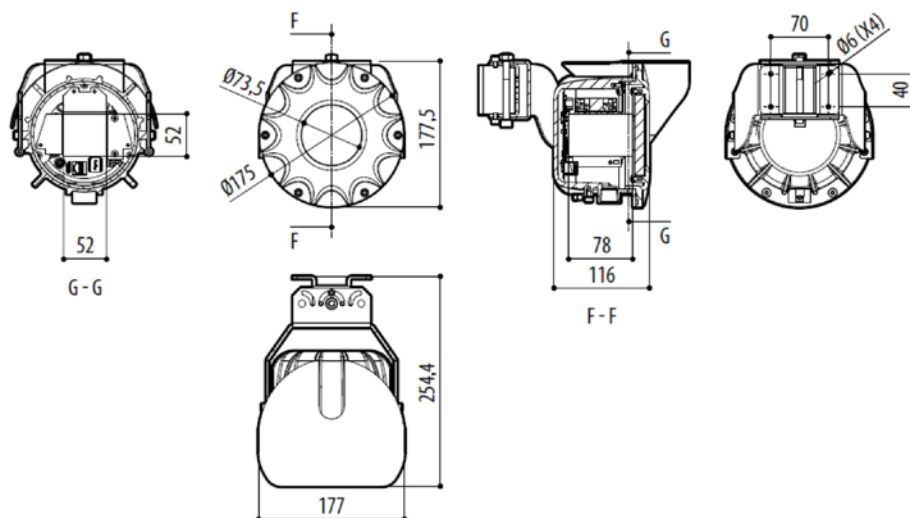
Ambient temperature	-40 °C ... +65 °C
---------------------	-------------------

Mechanical Data

Version	Movable viewing angle
Degree of protection (IP)	IP66, 67, 68, 69
Note on degree of protection	With IP68 (2h, 2m, 16 ft)
Enclosure material	Stainless steel 316L
Surface treatment	Electropolished and External surface, shotblasted
Cable 1	Outer diameter: 18.6+/- 0.2 mm
Cable structure	Armoured cable
Connection cable	with cable
Cable length	4 m
Opening for cable gland	1x1/2" NPT w Ex d cable gland
Integrated wiper	No
Feature	PoE+, Lloyd's Register Wall/ceiling fastening incl.
Package weight	11 kg
Package dimensions	640 x 208 x 590 mm
Weight	8.5 kg
Weight	18.74 lb

EC-910-AFZ-I0D-P04 Art. No. 289860

Dimensional Drawings (All Dimensions in mm [inches]) – Subject to Alterations



Accessories

Pole and Corner module EC-910

Art. No.



PCA-EC-910

Stainless steel 316L, electropolished
Payload: 30 kg
Pole diameter: 60 mm ... 200 mm
Dimension: 120 x 86 mm

264965

Ex e Terminal box

Art. No.



JCT-8146-Ethernet+Analog 5xcable glands

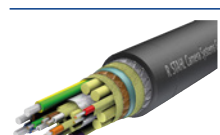
Terminal box, polyester resin
Version for ethernet Tx or analog cameras
Dimensions without cable glands (HxWxD): 340.5 mm x 340.5 mm x 91 mm
Ingress protection: IP66
equipped with:
5 x cable glands:
2 x CMP-25SC2KVAR KLE MsNi M25x1.5
1 x 8161/7-M25-1707 with red stopping plug
2 x 8161/7-M20-1304 with red stopping plug
usable for:
EC-750, EC-910-AFZ, EC-940S-AFZ (ATEX, IECEx)
EC-840S-TIC (ATEX, IECEx), EC-94x-PTZ, Water tank

265668

EC-910-AFZ-I0D-P04 Art. No. 289860


Camera multi-cable armoured

Art. No.

	<p>VB-CAM-MULTI-Ethernet-ARM 1 x Ethernet cable 3 x power supplies 2.5 mm² 7 x data cable 0.34 mm² -60 °C ... +80 °C 19.2 ±0.5 mm outer diameter IEC 60332-1 flame-resistant IEC 60754-2 halogen-free DIN 60811-404 oil-resistant NEK 606 mud-resistant Price and weight per m</p>	<p>252571</p>
--	---	---------------

Cable glands

Art. No.

	<p>CMP-20PX2K-REX-MSNi-NPT 1/2" OR-SET Cable gland with RapidEx compound explosion-protected Clamping-range: 12.5 ... 20.9 mm for EC-910</p>	<p>275571</p>
	<p>CMP-20sPX2K-REX KLE MSNi NPT 1/2" OR-SET Cable gland with RapidEx compound explosion-protected Clamping-range: 9.5 ... 15.9 mm for EC-910</p>	<p>278866</p>
	<p>CMP-20sPXSS2K-REX KLE MSNi NPT 1/2" SET Cable gland with RapidEx compound explosion-protected Clamping-range: 6.1 mm ... 11.7 mm for EC-910</p>	<p>279480</p>

We reserve the right to make alterations to the technical data, dimensions, weights, designs and products available without notice. The illustrations cannot be considered binding.