

8060/1-4-RS Art. No. 131310



- Interchangeable contact element with snap-action contact, slow-action contact or overlapping slow-action contact
- Various actuators possible, all of which can be repositioned by 4 x 90°
- Suitable for safety circuits in accordance with IEC/EN 60947-5-1, category 1 safety position switch, dimensions and characteristics in accordance with EN 50047

WebCode 8060A



R. STAHL's 8060 series position switches are suitable for switching control and signal circuits and for safety circuits in accordance with EN 60947-5-1 in "increased safety" enclosures. The dimensions comply with EN 50041. They are able to switch different potentials, comprise an interchangeable Ex d contact element with positive-opening contacts, and are available with a variety of actuators.

Technical Data

Explosion Protection

Scope of validity	IECEX European Union (ATEX)
Application range (zones)	1 2 21 22
IECEX gas certificate	IECEX PTB 06.0091
IECEX gas explosion protection	Ex de IIC T6
IECEX dust certificate	IECEX PTB 06.0091
IECEX dust explosion protection	Ex tD A21 T80 °C
ATEX gas certificate	PTB 01 ATEX 1052
ATEX gas explosion protection	⊕ II 2 G Ex de IIC T6
ATEX dust certificate	PTB 01 ATEX 1052
ATEX dust explosion protection	⊕ II 2 D Ex tD A21 T80 °C

Electrical Data

DC rated operational voltage	250 V
AC operating voltage (equal potential)	500 V
AC operating voltage (unequal potential)	250 V
Electrical service life	10 ⁶ operating cycles
Mechanical service life	≥ 1 x 10 ⁶ operating cycles
Actuating time	0
Rated surge voltage	0 kV
Short-circuit protection, max.	10 A
Tripping characteristic	gG
Maximum operating frequency	6000 operating cycles/h

Ambient Conditions

Ambient temperature	-20 °C ... +50 °C
---------------------	-------------------

8060/1-4-RS Art. No. 131310

Mechanical Data

Degree of protection (IP)	IP65
Enclosure material	Polyamide, Glass fibre reinforced
Max. earth connection	0 mm ²
Contact material	Silver-nickel
Terminals	1 x 2.5 mm ² or 2 x 1 mm ²
Number of NCs	0
Number of NOs	2
Actuator	Roller plunger
Clamping range	4 ... 13 mm
Type of connection cable	Solid Finely stranded
Contacts	2 NO
Enclosure colour	Black
Packaging unit	1
Weight	0.123 kg
Weight	0.27 lb

Components

Actuator 3	Roller (moulded material)
Cable glands and entries	1 x M20 x 1.5

Technical Drawings – Subject to Alterations

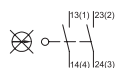
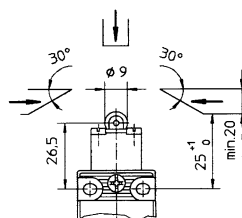


Diagram without positive opening 8060/1-4-...; 8070/1-4-...



Nominal contact travels or angles in stroke direction:

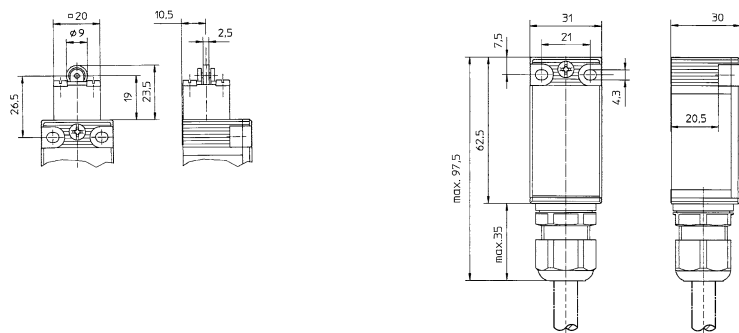
- = Contact closed
- = Contact open



Roller plunger
Lateral operation: V = 1.0 m/s
Operation in stroke direction: V = 1.0 m/s

V = max. operating speed
→ = direction of operation

Dimensional Drawings (All Dimensions in mm [inches]) – Subject to Alterations

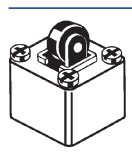


Accessories


Actuator

Art. No.

8060/1-4-RS Art. No. 131310

	Roller plunger 8060/1-0-RS	131254
--	----------------------------	--------

Cable gland made of plastic

	8161/7-M20-1304, Ex e Plastic, M20 x 1.5, cable outer diameter 4 to 13 mm Lot size 50 pieces	Art. No. 239156
--	--	---------------------------

Spare Parts

Contact element		Art. No.
	2 NO slow-action contact 8080/1-4	132533

We reserve the right to make alterations to the technical data, dimensions, weights, designs and products available without notice. The illustrations cannot be considered binding.