

8070/1-2-F2 Art. No. 131953



- Interchangeable contact element with snap-action contact, slow-action contact or overlapping slow-action contact
- Various actuators possible, all of which can be repositioned by 4 x 90°
- Suitable for safety circuits in accordance with IEC/EN 60947-5-1, category 1 safety position switch, dimensions and characteristics in accordance with EN 50041

WebCode 8070A



R. STAHL's 8070 series position switches are suitable for switching control and signal circuits and for safety circuits in accordance with EN 60947-5-1 in "increased safety" enclosures. The dimensions comply with EN 50047. They are able to switch different potentials, comprise an interchangeable Ex d contact element with positive-opening contacts, and are available with a variety of actuators.

Technical Data

Explosion Protection

| | |
|---------------------------------|--------------------------------|
| Scope of validity | European Union (ATEX) IECEX |
| Application range (zones) | 1 2 21 22 |
| IECEX gas certificate | IECEX PTB 06.0092 |
| IECEX gas explosion protection | Ex de IIC T6 |
| IECEX dust certificate | IECEX PTB 06.0092 |
| IECEX dust explosion protection | Ex tD A21 T80 °C |
| ATEX gas certificate | PTB 01 ATEX 1053 |
| ATEX gas explosion protection | ⊕ II 2 G Ex de IIC T6 |
| ATEX dust certificate | PTB 01 ATEX 1053 |
| ATEX dust explosion protection | ⊕ II 2 D Ex tD A21 T80 °C |

Electrical Data

| | |
|------------------------------------------|----------------------------------------|
| DC rated operational voltage | 250 V |
| AC operating voltage (equal potential) | 500 V |
| AC operating voltage (unequal potential) | 250 V |
| Electrical service life | 10 ⁶ operating cycles |
| Mechanical service life | ≥ 1 x 10 ⁶ operating cycles |
| Actuating time | 0 |
| Rated surge voltage | 0 kV |
| Short-circuit protection, max. | 10 A |
| Tripping characteristic | gG |
| Switching function | Snap-action contact, With spring |

Ambient Conditions

| | |
|---------------------|-------------------|
| Ambient temperature | -20 °C ... +50 °C |
|---------------------|-------------------|

8070/1-2-F2 Art. No. 131953

Mechanical Data

| | |
|---------------------------|--------------------------------------------------|
| Degree of protection (IP) | IP65 |
| Enclosure material | Polyamide, Glass fibre reinforced |
| Max. earth connection | 0 mm ² |
| Contact material | Silver-nickel |
| Terminals | 1 x 2.5 mm ² or 2 x 1 mm ² |
| Number of NCs | 1 |
| Number of NOs | 1 |
| Actuator | Spring rod |
| Clamping range | 4 ... 13 mm |
| Type of connection cable | Solid Finely stranded |
| Contacts | 1 NC + 1 NO |
| Service life, min. | 10 ⁶ operating cycles |
| Enclosure colour | Black |
| Packaging unit | 1 |
| Weight | 0.175 kg |
| Weight | 0.39 lb |

Components

| | |
|--------------------------|--------------------------|
| Actuator 3 | Spring (stainless steel) |
| Cable glands and entries | 1 x M20 x 1.5 |

Technical Drawings – Subject to Alterations

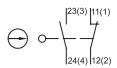
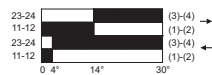


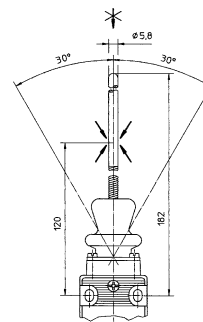
Diagram with positive opening 8060/1-2-...; 8070/1-2-...



Only for use with snap-action contact!

Nominal contact travels or angles:

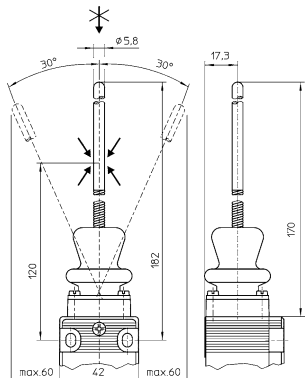
- = Contact closed
- = Contact open



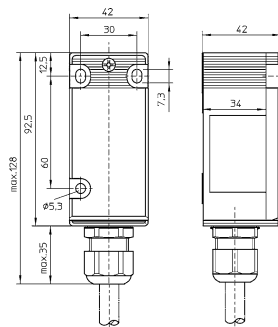
Spring-rod actuator
No positive opening, not suitable for safety circuits

→ = direction of operation

Dimensional Drawings (All Dimensions in mm [inches]) – Subject to Alterations



Spring rod actuator



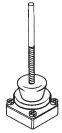
Position switch without insert

8070/1-2-F2 Art. No. 131953

Accessories

Actuator

Art. No.



Spring-rod actuator
Only for use with snap-action contact!
8070/1-0-F2

131824

Cable gland made of plastic

Art. No.



8161/7-M20-1304, Ex e
Plastic, M20 x 1.5, cable outer diameter 4 to 13 mm
Lot size 50 pieces

239156

We reserve the right to make alterations to the technical data, dimensions, weights, designs and products available without notice. The illustrations cannot be considered binding.