

8453/1-03-005 Art. No. 145175



- Resistor control elements for customised equipping with numerous electric and electronic components
- Connection cross-section 0.75–2.5 mm<sup>2</sup>, solid/finely stranded
- Connection via screw terminals or spring clamp terminals

WebCode **8453A**



R. STAHL Series 8453 control elements are primarily used for wire breakage and short-circuit monitoring of Series 8082 contact elements. They have a resistance of 1 k $\Omega$ /W or 10 k $\Omega$ /W. The devices can be equipped, individually according to customer requirements, with fuses, varistors, diodes, air conditioning condensers or other electric or electronic components.

## Technical Data

### Explosion Protection

Application range (zones)	1 2
IECEX gas certificate	IECEX PTB 06.0031 U
IECEX gas explosion protection	Ex db eb IIC T6 Gb
ATEX gas certificate	PTB 01 ATEX 1067 U
ATEX gas explosion protection	Ex II 2 G Ex db eb IIC T6 Gb
EAC gas certificate	GOS 11-1-265-2013
Inmetro gas certificate	ULBR140328U
Certificates	ATEX (PTB), Brazil (ULB), IECEX (PTB)

### Electrical Data

Rated operational power	1 W
Maximum resistance R <sub>max</sub>	4700 $\Omega$
Minimum resistance R <sub>min</sub>	4700 $\Omega$

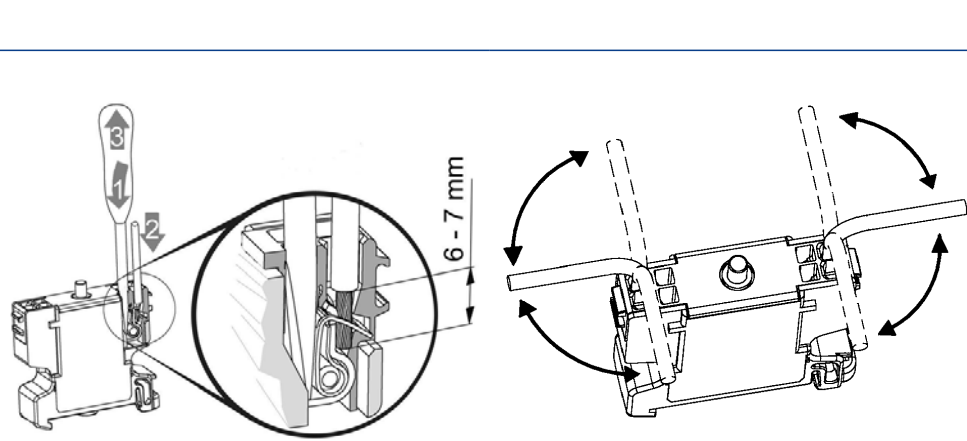
### Ambient Conditions

Ambient temperature	-60 °C ... +50 °C
---------------------	-------------------

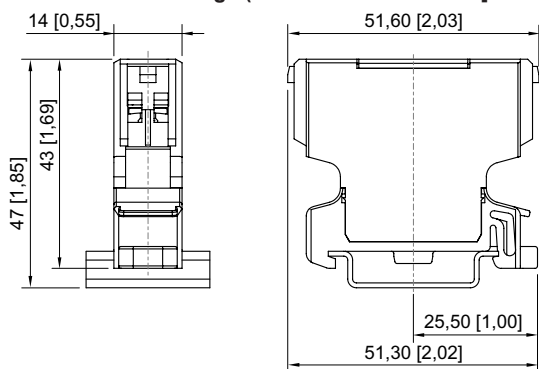
### Mechanical Data

Version	with resistor
Degree of protection (IP)	IP20
Enclosure material	Polyamide
Silicone-free	Yes
Connection cross-section min.	0.75 mm <sup>2</sup>
Connection cross section max.	2.5 mm <sup>2</sup>
Connection cross-section solid max.	2.5 mm <sup>2</sup>
Connection cross-section finely stranded max.	2.5 mm <sup>2</sup>
Weight	0.05 kg
Weight	0.11 lb

8453/1-03-005 Art. No. 145175



Dimensional Drawings (All Dimensions in mm [inches]) – Subject to Alterations



We reserve the right to make alterations to the technical data, dimensions, weights, designs and products available without notice. The illustrations cannot be considered binding.