

8561/02-11 Art. No. 149234



- Easy to maintain because standard DIAZED fuse links are used
- Practical: Defect fuse links can be seen from the outside
- For rated operational voltages up to 500 V and rated operational currents up to 63 A

MY R. STAHL 8561B



R. STAHL Series 8561/02 fuse elements primarily protect the consumer outputs in Ex e power distribution boards or offer back-up protection for the system. Since they are equipped with standard DIAZED system fuse links, they are extremely easy to maintain and defective fuse links can be seen from the outside. They are designed for rated operational voltages up to 500 V and rated operational currents up to 63 A.

### Technical Data

#### Explosion Protection

Application range (zones)	1, 2
IECEX gas certificate	IECEX PTB 06.0063U
IECEX gas explosion protection	Ex de IIC
ATEX gas certificate	PTB 02 ATEX 1028 U
ATEX gas explosion protection	Ex II 2 G Ex de IIC
Certificates	ATEX (PTB), Brazil (ULB), IECEX (PTB)

#### Electrical Data

Rated operational voltage AC	500 V
Rated operational current	25 A

#### Ambient Conditions

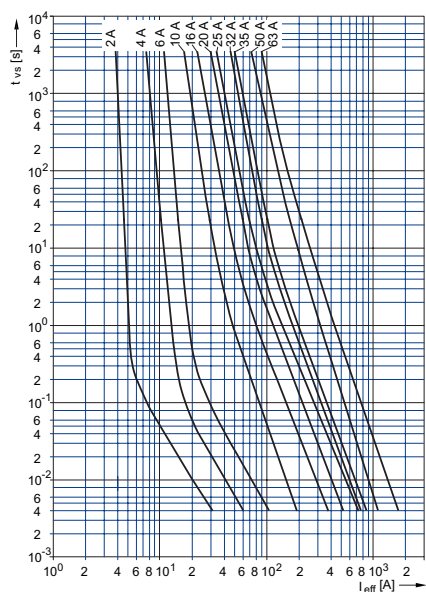
Ambient temperature	-20 °C ... +40 °C
---------------------	-------------------

#### Mechanical Data

Enclosure material	Epoxy resin
Fuse insert type	D II
Weight	785 g
Weight	1.73 lb

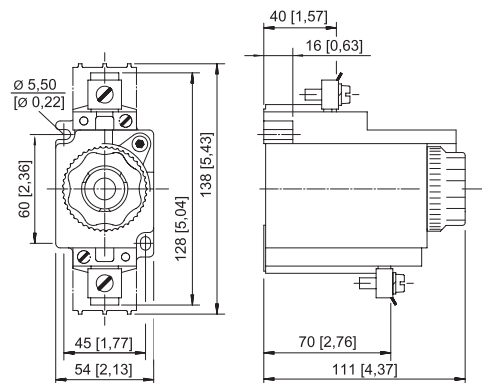
8561/02-11 Art. No. 149234

Technical Drawings – Subject to Alterations



Time/current characteristic of the fuse links  
(tolerance range max. ± 10%)

Dimensional Drawings (All Dimensions in mm [inches]) – Subject to Alterations



8561/02 fuse element

Spare Parts

Adaptor

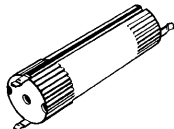
Art. No.

8561/02-11 Art. No. 149234

	8561/02-11 10 A	111653
	8561/02-11 16 A	111654
	8561/02-11 20 A	111655
	8561/02-11 25 A	111656
	8561/02-11 2 A	111650
	8561/02-11 4 A	111651
	8561/02-11 6 A	111652

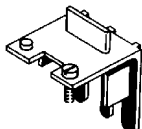
### Adaptor key

### Art. No.

	for replacing the DIAZED adaptor	111660
--	----------------------------------	--------

### Cover for terminal connections

### Art. No.

	IP10 cover	149225
--	------------	--------

### Fuse link

### Art. No.

	8561/02-11 10 A	111273
	8561/02-11 2 A	111270
	8561/02-11 4 A	111271
	8561/02-11 6 A	111272
	8561/02-11 16 A	111274
	8561/02-11 20 A	111275
	8561/02-11 25 A	111276

We reserve the right to make alterations to the technical data, dimensions, weights, designs and products available without notice. The illustrations cannot be considered binding.