

# Isolators

Ex i power supply

Ex i field circuit ISpac

9143/10-065-200-10s Art. No. 159820



- To provide 3- or 4-wire transmitters, solenoid valves, light barriers and controllers with intrinsically safe power
- Stable, adjustable output voltage
- International approvals for global use

Webshop 9143A



The Series 9143 compact Ex i power supply is used to provide field devices , e.g. 3- or 4-wire transmitters, solenoid valves, light barriers and controllers with intrinsically safe power. It delivers a stable and adjustable output voltage via intrinsically safe outputs.

## Technical Data

Explosion Protection	
Application range (zones)	2
Ex interface zone	1 2 21 22
IECEX gas certificate	IECEX BVS 12.0009 X
IECEX gas explosion protection	Ex nA [ib Gb] IIC/IIB T4 Gc
IECEX dust certificate	IECEX BVS 12.0009 X
IECEX dust explosion protection	[Ex ib Db] IIIC
IECEX firedamp certificate	IECEX BVS 12.0009 X
IECEX firedamp protection	[Ex ib Mb] I
ATEX gas certificate	BVS 05 ATEX E 152 X
ATEX gas explosion protection	⊕ II 3 (2) G Ex nA [ib Gb] IIC/IIB T4 Gc
ATEX dust certificate	BVS 05 ATEX E 152 X
ATEX dust explosion protection	⊕ II (2) D [Ex ib Db] IIIC
ATEX firedamp certificate	BVS 05 ATEX E 152 X
ATEX firedamp protection	⊕ I (M2) [Ex ib Mb] I
cCSAus certificate	1570027
Marking cCSAus	Class I, Zone 2, AEx Ex/nA [ib Gb] IIB 1 Gc Class I, Zone 1, Ex nA [ib Gb] Group IIB T4 Gc See doc. 91 436 01 32 2
Certificates	ATEX (BVS), Canada / USA (CSA), IECEX (BVS), Korea (KGS)
Ship approval	CCS, EU RO MR (DNV)
Declaration of Conformity	ATEX (EUK)
Installation	In Zone 2 and safe areas
Further information	See relevant certificate and operating instructions
Safety Data	
Max. voltage U <sub>o</sub>	6.5 V

# Isolators

Ex i power supply

Ex i field circuit ISpac

9143/10-065-200-10s Art. No. 159820



## Safety Data

Max. current $I_o$	200 mA
Max. power $P_o$	1.3 W
Max. permissible external capacity $C_o$ for IIC	25 $\mu$ F
Max. permissible external capacity $C_o$ for IIB	570 $\mu$ F
Max. permissible external capacity $C_o$ for I	1000 $\mu$ F
Max. permissible external inductance $L_o$ for IIC	0.82 mH
Max. permissible external inductance $L_o$ for IIB	3.71 mH
Max. permissible external inductance $L_o$ for I	11 mH
Internal capacitance	Negligible
Internal inductance	Negligible
Safety-related max. voltage	253 V

## Electrical Data

Type of signal	Ex i power supply
----------------	-------------------

## Auxiliary Power

Auxiliary power	24 V AC / DC
Auxiliary power voltage range	20 to 28 V AC, 18 to 35 V DC
Auxiliary power frequency range AC	48 – 62 Hz
Auxiliary power consumption	2.6 W
Polarity reversal protection	Yes (DC)
Auxiliary power indication	Green LED

## Galvanic Isolation

Test voltage	Acc. to IEC EN 60079-11
Output to power supply	1.5 kV

## Output

Min. nominal voltage output	4 V
Max. nominal voltage output	5.6 V
Max. nominal current $I_n$ output	160 mA
Current limiting	If the max. nominal current is reached, the output voltage is linearly regulated down to 0 V.

## Ambient Conditions

Ambient temperature	-20 °C ... +65 °C (Single device) -20 °C ... +60 °C (Group assembly)
Ambient temperature	-4°F ... +158°F (Single device) -4°F ... +140°F (Group assembly)
Note	Installation conditions influence the ambient temperature. Please observe the "Cabinet installation guide".
Storage temperature	-40 °C ... +80 °C
Storage temperature	-40°F ... +176°F
Maximum relative humidity	< 85% at $T_a > 40$ °C
Use at the height of	< 2000 m
Electromagnetic compatibility	Tested to the following standards and regulations: EN 61326-1 For use in industrial areas; NAMUR NE 21

# Isolators

Ex i power supply

Ex i field circuit ISpac

9143/10-065-200-10s Art. No. 159820



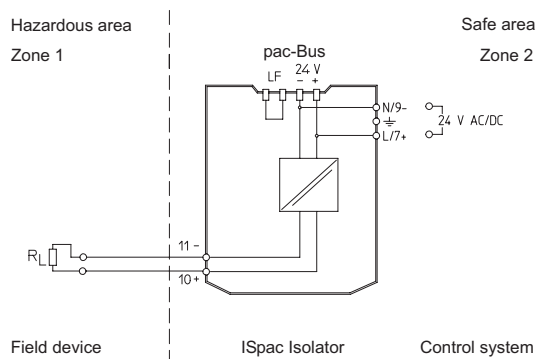
## Mechanical Data

Degree of protection (IP)	IP30
Degree of protection (IP) terminals	IP20
Fire resistance (UL 94)	V0
Enclosure material	PA 6.6
Grid dimension	35.2 mm
Width	35.2 mm
Width, inches	1.39 in
Height	114.5 mm
Height, inches	4.51 in
Length	108 mm
Length, inches	4.25 in
Weight	190 g
Weight	0.42 lb

## Mounting / Installation

Mounting type	DIN rail (NS35/15, NS35/7.5)
Mounting orientation	Horizontal Vertical
Connection type	Screw terminal
Min. rigid conductor cross section	0.2 mm <sup>2</sup>
Max. rigid conductor cross section	2.5 mm <sup>2</sup>
Min. flex conductor cross section	0.2 mm <sup>2</sup>
Max. flex conductor cross section	2.5 mm <sup>2</sup>
Connection cross-section AWG	24 – 14

## Technical Drawings – Subject to Alterations



Connection diagram 9143/.....-10.

# Isolators

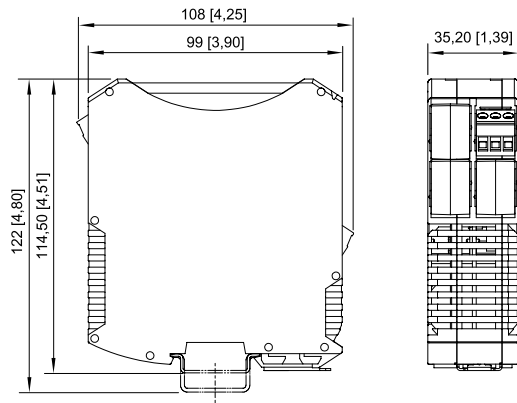
Ex i power supply

Ex i field circuit ISpac

9143/10-065-200-10s Art. No. 159820



## Dimensional Drawings (All Dimensions in mm [inches]) – Subject to Alterations



ISpac Series 9185, 9192 with screw terminal

We reserve the right to make alterations to the technical data, dimensions, weights, designs and products available without notice. The illustrations cannot be considered binding.