

Isolators

HART multiplexer

ISpac

9192/32-10-10 Art. No. 160695



- Multiplexer for HART field devices with 32 channels
- Easy to use: HART Mux master and HART Mux slave in one device
- For use up to SIL 3

MY R. STAHL 9192A



The Series 9192 HART multiplexer can connect up to 32 HART-capable field devices, such as transmitters or control valves, to asset management systems via RS-485 bus. The HART multiplexer is the ideal solution if you want to operate asset management systems and control systems from different manufacturers in parallel or for enabling HART communication when using a PLC.

Technical Data

Explosion Protection	
Application range (zones)	2
IECEX gas certificate	IECEX BVS 10.0042 X
IECEX gas explosion protection	Ex ec IIC T4 Gc
ATEX gas certificate	BVS 03 ATEX E 213 X
ATEX gas explosion protection	Ex II 3 G Ex ec IIC T4 Gc
FMus certificate	FM16US0122X
cFM certificate	FM16CA0067X
Marking cFMus	Class I, Div. 2, Groups A,B,C,D; Class I, Zone 2, Group IIC T4 at Ta = 70°C See Doc. 91 926 01 31 1
Certificates	ATEX (BVS), Brazil (ULB), Canada (FM), China (NEPSI), IECEX (BVS), India (PESO), SIL (exida), USA (FM)
Ship approval	CCS, EU RO MR (DNV)
Declaration of Conformity	ATEX (EUK), China (CCC)
Functional Safety	
SIL	3
HFT	0
SFF	91,06%
PFD _{avg} at T _{proof} 1 year	2,04E-06
PFD _{avg} at T _{proof} 5 years	1,02E-05
PFD _{avg} at T _{proof} 10 years	2,04E-05
Electrical Data	
Number of channels	32
RS485 interface connection	Sub-D socket, 9-pole

Isolators

HART multiplexer

ISpac

9192/32-10-10 Art. No. 160695



Electrical Data

RS-485 interface protocol	Compatible with Cornerstone PDM PRM FDM AMS (up to version 14.4)
Interface data rate, field side	HART FSK
Data transmission display	yellow Tx and Rx
Electrical interface data rate	9,6 kbit/s - 57,6 kbit/s
Electric interface version	RS 485
Electric interface connection	Sub-D socket X1, 9-pole
Signal field device interface (HART)	HART FSK
RS-485 interface signal	RS-485
HART multiplexer RS-485 interface	Max. 31 (per bus segment)
Number of RS-485 interfaces	1
Number of channels field device interface (HART)	16 or 32, can be set via switch
Connection field device interface (HART)	Ribbon cable, 14-pin (included)
Specification field device interface (HART)	HART Field Communication Protocol Rev. 7.x (backward compatible to 4.0); FSK Physical Layer Specification (Rev. 7.x)
RS485 connection	Sub-D socket, 9-pole
Field side of interfaces	HART FSK
Max. RS485 conductor length	1200 m

Auxiliary Power

Auxiliary power	24 V DC
Nominal voltage	24 V DC
Auxiliary power voltage range	18 to 31.2 V
Voltage range residual ripple	$\leq 3,6 V_{SS}$
Nominal current	55 mA
Power consumption	1.35 W
Polarity reversal protection	Yes
Undervoltage monitoring	Yes
Operation indication	Green "PWR" LED

Galvanic Isolation

Test voltage as per standard	EN 50178
------------------------------	----------

Ambient Conditions

Ambient temperature	-20 °C ... +70 °C (Single device) -20 °C ... +60 °C (Group assembly)
Ambient temperature	-4°F ... +158°F (Single device) -4°F ... +140°F (Group assembly)
Storage temperature	-40°C ... +80°C
Storage temperature	-40°F ... +176°F
Maximum relative humidity	95%
Use at the height of	< 2000 m

Mechanical Data

Degree of protection (IP)	IP30
Degree of protection (IP) terminals	IP20

Isolators

HART multiplexer



ISpac

9192/32-10-10 Art. No. 160695

Mechanical Data

Fire resistance (UL 94)	V0
Enclosure material	Polyamide
Grid dimension	35.2 mm
Width	35.2 mm
Width, inches	1.39 in
Height	114.5 mm
Height, inches	4.51 in
Length	108 mm
Length, inches	4.25 in
Weight	100 g
Weight	0.22 lb

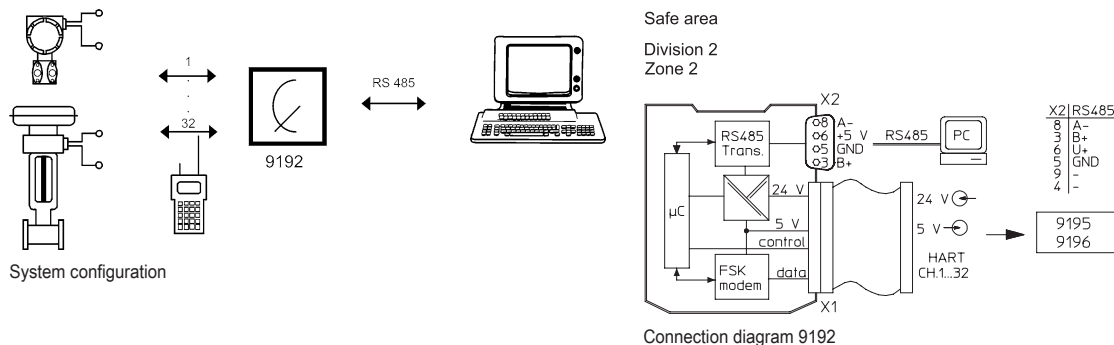
Mounting / Installation

Mounting type	DIN rail NS35/15, NS35/7.5
Mounting orientation	Vertical Horizontal
Connection	Ribbon cable, 14-pole

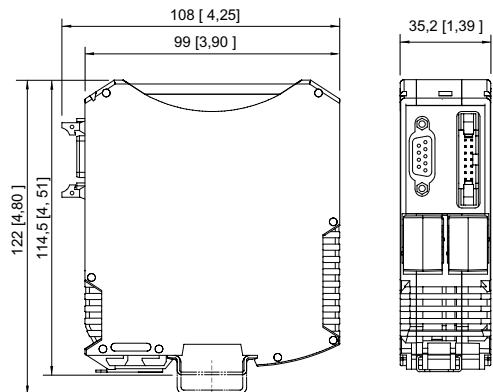
Components

Safe area interfaces	RS 485
----------------------	--------

Technical Drawings – Subject to Alterations



Dimensional Drawings (All Dimensions in mm [inches]) – Subject to Alterations



Accessories

HART termination board

Art. No.

Isolators

HART multiplexer

ISpac

9192/32-10-10 Art. No. 160695



	The compact 9196/16H-XXO-03c HART termination board enables the field device wiring and the automation system wiring to be connected separately.	160891
	The 9196/16H-XXO-05c HART termination board enables the field device wiring and the automation system wiring to be connected separately.	249297

We reserve the right to make alterations to the technical data, dimensions, weights, designs and products available without notice. The illustrations cannot be considered binding.