

8571/11-407-S001 Art. No. 166610



- Optional: Pluggable, easily retrofittable Ex e or Ex i auxiliary contacts for control and signalling purposes
- Motor switching capacity AC-3 as per IEC/EN 60947-3
- Variants for use in the USA/Canada available on request
- Wide temperature range for use
- High mechanical impact and shock resistance
- Perfect protection against the ingress of liquids and dust
- 3D data available to download from the website

WebCode **8571A**



R. STAHL Series 8571/11 SolConeX sockets for Zone 1/21 in a 3-, 4- and 5-pole version have full AC-3 switching capacity up to 32 A. The high degree of protection IP66 guarantees the highest level of protection against the penetration of dust and/or water in any application position. Self-cleaning lamellar contacts provide optimum contact and the plugs can be inserted and removed in the zero position quickly and easily. The load disconnect switch, with mechanical locking device and a handle that can be locked in the 0 or I position, is an additional safety feature.

Technical Data

Explosion Protection

| | |
|---------------------------------|--|
| Scope of validity | European Union (ATEX) IECEX China (CQST) |
| Application range (zones) | 1 2 21 22 |
| IECEX gas certificate | IECEX PTB 05.0024 |
| IECEX gas explosion protection | Ex db eb IIC T6 ... T5 Gb |
| IECEX dust certificate | IECEX PTB 05.0024 |
| IECEX dust explosion protection | Ex tb IIIC T60 °C / T75 °C Db |
| ATEX gas certificate | PTB 04 ATEX 1060 |
| ATEX gas explosion protection | ⊕ II 2 G Ex db eb IIC T6 ... T5 Gb |
| ATEX dust certificate | PTB 04 ATEX 1060 |
| ATEX dust explosion protection | ⊕ II 2 D Ex tb IIIC T60 °C / T75 °C Db |
| Certificates | IECEX (PTB), Korea (KGS), Taiwan (ITRI) |
| Explosion protection note | Product label may vary. Series devices have certification according to ATEX and IECEX. |

Electrical Data

| | |
|----------------------------------|--|
| Rated operational voltage AC | 480 to 500 V AC |
| Rated operational current | 32 A |
| Electrical service life | > 2x10 ³ switching cycles |
| Mechanical service life | > 2x10 ³ switching cycles |
| Type of voltage | Low voltage |
| Switching capacity main contacts | 7.5 kW: 220 to 240 V 15 kW: 380 to 415 V 30 kW: 600 to 690 V |

Installation Equipment

Wall-mounting socket 32 A



8571/11-407-S001 Art. No. 166610

Electrical Data

| | |
|--------------------|------------|
| Auxiliary contacts | 1 (1 NO) |
| Frequency range | 50 / 60 Hz |

Device Specific Data

| | |
|---|---------|
| Back-up fuse with thermal protection | 63 A gG |
| Back-up fuse without thermal protection | 35 A gG |

Ambient Conditions

| | |
|---------------------|--|
| Ambient temperature | -30 °C ... +40 °C (T6) -30 °C ... +55 °C (T5) |
|---------------------|--|

Mechanical Data

| | |
|--|--|
| IP degree of protection (IEC 60529) | IP66 |
| IP degree of protection (IEC 60079) | IP66 |
| Enclosure material | Polyamide, Glass fibre reinforced |
| Silicone-free | Yes |
| Solid connection cross-section | 1 x 2.5 mm ² ... 2 x 10 mm ² |
| Connection cross-section AWG single stranded | 1 x AWG 14 ... 2 x AWG 8 |
| Finely stranded connection cross-section | 1 x 2.5 mm ² ... 2 x 6 mm ² |
| Finely stranded connection cross-section AWG | 1 x AWG 14 ... 2 x AWG 10 |
| Width | 135 mm |
| Width in inches | 5.31 in |
| Height | 206 mm |
| Height, inches | 8.12 in |
| Length | 280 mm |
| Length, inches | 11.04 in |
| Impact strength (IEC 60079) | 7 J |
| Impact strength (IEC 62262) | IK10 |
| Colour code | Black |
| Coding (clock hour position) | 7 |
| Lockable in | in 0- and I-position |
| Series | SolConeX |
| Detailed number of poles | 3 P + PE |
| Weight | 2.2 kg |
| Weight | 4.85 lb |

Mounting / Installation

| | |
|------------|----------------|
| Connection | Screw terminal |
|------------|----------------|

Components

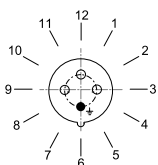
| | |
|------------------------------|---|
| Cable entry note | Entry 1: Lower left Entry 2: Lower right |
| Entry 1 model | 8161/7-M32-2109 |
| Entry 1 type | Polyamide cable gland |
| Entry 1 | M32 x 1.5 |
| Entry 1 terminal area | 9 – 21 mm |
| Entry 1 clamping range, inch | 0.35 – 0.83 in |
| Metal entry possible 1 | No |

8571/11-407-S001 Art. No. 166610

Components

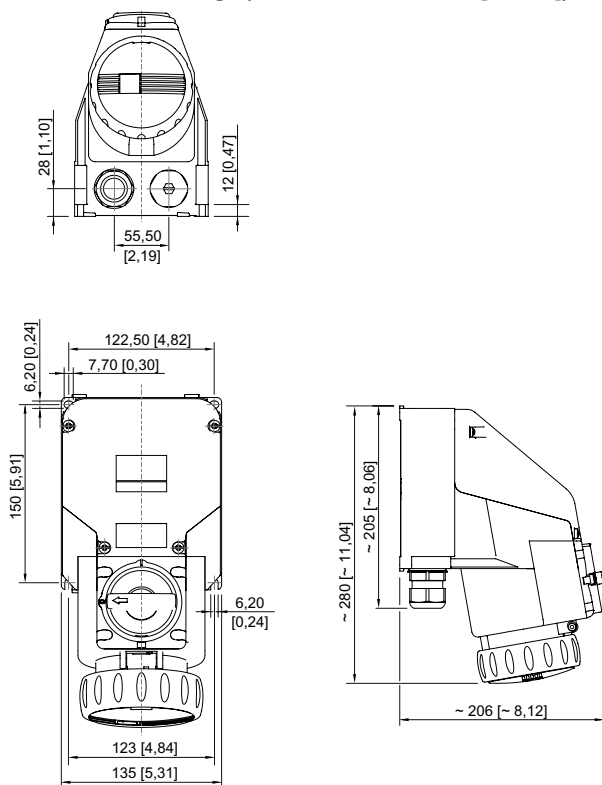
| | |
|------------------------------|---------------------------|
| Entry 2 model | 8161/7-M25-1707 with plug |
| Entry 2 type | Polyamide cable gland |
| Entry 2 | M25 x 1.5 |
| Entry 2 terminal area | 7 – 17 mm |
| Entry 2 clamping range, inch | 0.28 – 0.67 in |
| Metal entry possible 2 | No |

Technical Drawings – Subject to Alterations



Position of clock hour position
Example: 6 h position

Dimensional Drawings (All Dimensions in mm [inches]) – Subject to Alterations



Wall-mounting socket

Accessories

Auxiliary contact optional, can be connected by the user, easy to retrofit

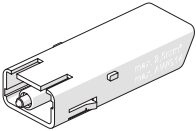
Art. No.

Installation Equipment

Wall-mounting socket 32 A

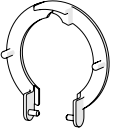


8571/11-407-S001 Art. No. 166610

| | | |
|--|---|--------|
|  | 1 NC max. 500 V AC, max. 110 V DC max. 6 A 1 x 0.5 to 2 x 2.5 mm ² solid/finely stranded | 150680 |
| | 1 NC, gold-plated contact max. 500 V AC, max. 110 V DC max. 6 A 1 x 0.5 to 2 x 2.5 mm ² solid/finely stranded | 150684 |
| | 1 NO max. 500 V AC, max. 110 V DC max. 6 A 1 x 0.5 to 2 x 2.5 mm ² solid/finely stranded | 150682 |
| | 1 NO, gold-plated contact max. 500 V AC, max. 110 V DC max. 6 A 1 x 0.5 to 2 x 2.5 mm ² solid/finely stranded | 150686 |

Dust cover for 32 A sockets, series 8571

Art. No.

| | | |
|---|--|--------|
|  | Retrofittable dust protection for 4-pole sockets | 255005 |
|---|--|--------|

Spare Parts

Repair set for 8571 series 32 A sockets

Art. No.

| | | |
|--|--|--------|
|  | 8571 4-pole hinged cover repair set, black | 275505 |
|--|--|--------|

We reserve the right to make alterations to the technical data, dimensions, weights, designs and products available without notice. The illustrations cannot be considered binding.