



- Rugged construction
- Complies with: ICAO Annex 14 Vol. 1 Ch. 6 Low Intensity Type B
- Low maintenance
- Low power consumption
- Resistant to vibrations
- Long lifetime expectancy
- Integrated drain plug

MY R. STAHL T2440B

Tranberg luminaires are all designed for use in rough environments. The design of Tranberg luminaires is based on many years of experience and extensive research in the field of professional marine lighting. Carefully selected materials and components are used to ensure maximum performance, low maintenance and a long-trouble free life. The luminaire consist of five powerful light emitting diodes (LEDs), mounted on a machined aluminium base. The LED driver is placed in the lamp bottom along with terminals.

Technical Data

Electrical Data

Rated operational voltage AC	24 V
Power	10 W

Lighting Data

Effective luminous intensity	32 cd
------------------------------	-------

Ambient Conditions

Ambient temperature	-30 °C ... +45 °C
---------------------	-------------------

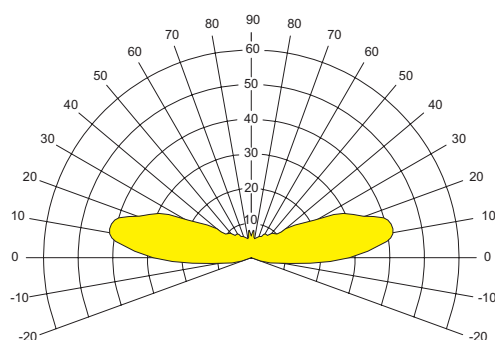
Mechanical Data

Degree of protection (IP)	IP66
Enclosure material	Stainless steel, powder-coated, Acid-resistant
Weight	-

Components

Drilled holes	2 x M25
Cable glands and entries	1 x M25 x 1.5
Stopping plugs	1 x M25 x 1.5

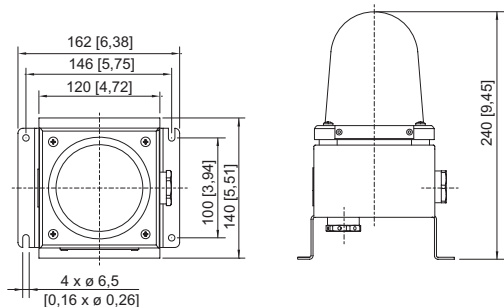
Technical Drawings – Subject to Alterations



Luminous intensity distribution

TEF2440162 Art. No. 170638

Dimensional Drawings (All Dimensions in mm [inches]) – Subject to Alterations



Accessories

Cable gland		Art. No.
	M25 \varnothing 11 ... 15 / 15 ... 20 mm TEF6222502	241042
Stopping plug		Art. No.
	Exe M25 with lock nut TEF6502502	259505

Spare Parts

Gasket		Art. No.
	Silicon gasket for globe TEF50010021	165844
Globe		Art. No.
	with red LEDs, without gasket TEF4417	170639
Globe retainer ring		Art. No.
	Globe retainer ring TEF4249	241038
LED Driver		Art. No.
	24 V TEF4399	165831
Terminal block		Art. No.
	Terminal block TEF50280008	241039

We reserve the right to make alterations to the technical data, dimensions, weights, designs and products available without notice. The illustrations cannot be considered binding.