

8510/112-07-109-011 Art. No. 202480



- Type-tested standard components for time-delayed switching
- Time delays up to 300 hours, wide-range control voltage
- Recurrence and on-delay variants, also with time-delay function

MY R. STAHL 8510O



The R. STAHL Series 8510 time relay is a type-tested standard component for time-delayed switching – with a delay of up to 300 hours. It is available in recurrence and on-delay variants, also with time-delay function (only Y-Δ time relay), and with various contact types. The corrosion-resistant enclosure and can be fitted in Ex e enclosures using an anti-vibration screw connection.

Technical Data

Explosion Protection

| | |
|--------------------------------|---|
| Ex version | Yes |
| Application range (zones) | 1 2 |
| IECEX gas certificate | IECEX BVS 07.0029U |
| IECEX gas explosion protection | Ex de IIC |
| IECEX firedamp certificate | IECEX BVS 07.0029U |
| IECEX firedamp protection | Ex de I |
| ATEX gas certificate | DMT 00 ATEX E 073 U |
| ATEX gas explosion protection | ⊕ II 2 G Ex de IIC |
| ATEX firedamp certificate | DMT 00 ATEX E 073 U |
| ATEX firedamp protection | ⊕ I M2 Ex de I |
| Certificates | Brazil (ULB), China (CQST), IECEX (BVS) |

Electrical Data

| | |
|----------------------------|----------------------------|
| AC rated actuation voltage | 24 – 240 V |
| DC rated actuation voltage | 24 – 240 V |
| Frequency Hz (for AC) | 60 50 |
| Auxiliary contacts | 2 (2 change-over contacts) |

Ambient Conditions

| | |
|---------------------|-------------------|
| Ambient temperature | -20 °C ... +60 °C |
|---------------------|-------------------|

Mechanical Data

| | |
|---|----------------------|
| Version | On-delay |
| Degree of protection (IP) | IP20 |
| Enclosure material | Epoxy resin |
| Min. connection terminals | 0.75 mm ² |
| Max. solid connection terminals | 2.5 mm ² |
| Max. finely stranded connection terminals | 1.5 mm ² |

8510/112-07-109-011 Art. No. 202480

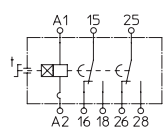
Mechanical Data

| | |
|--------------------------|--------------------------|
| Type of connection cable | Solid Finely stranded |
| Width | 48 mm |
| Height | 130 mm |
| Depth | 168 mm |
| Weight | 1.25 kg |
| Weight | 2.76 lb |

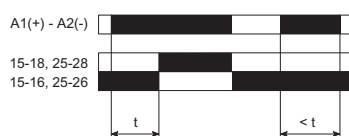
Components

| | |
|-----------------|--------|
| Min. time range | 0,05 s |
| Max. time range | 300 h |

Technical Drawings – Subject to Alterations

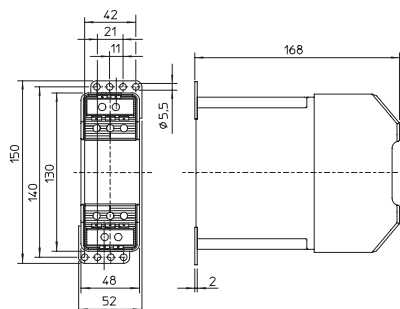


ON time relay, actuation of timing using supply voltage
Timing range: 0.05 sec to 300 h



ON time relay,
actuation of timing using supply voltage
Timing range: 0.05 sec to 300 h

Dimensional Drawings (All Dimensions in mm [inches]) – Subject to Alterations



8510/112

We reserve the right to make alterations to the technical data, dimensions, weights, designs and products available without notice. The illustrations cannot be considered binding.