

## Installation equipment

Maintenance socket 16 A No mechanical locking device

With indicator lamp Maintenance socket

8570/51-407-S-01-0-XX-XXX Art. No. 296274



- Different voltage ranges according to EN 60309
- Wide temperature range
- High mechanical impact and shock resistance
- Perfect protection against penetration of liquids and dusts
- Connection of industrial equipment for service work
- With sign "Do not switch on if there is an explosion hazard"
- 3D data for download on the website

MY R. STAHL 8570T



The R. STAHL 8570/51 series SolConeX repair sockets are used for repair work with non-Ex devices (according to IEC/EN 60309) in Zones 1, 2, 21 and 22. They offer full AC-3 switching capacity up to 16 A and can switch motors/pumps, etc. directly. The indicator lamps displaying the operating status and the large handle, which can be locked in the zero position to protect against unauthorised use, provide added safety.

### Technical Data

#### Explosion Protection

Scope of validity	European Union (ATEX) IECEX
Application range (zones)	1 2 21 22
IECEX gas certificate	IECEX PTB 21.0026X
IECEX gas explosion protection	Ex db eb IIC T6 Gb
IECEX dust certificate	IECEX PTB 21.0026X
IECEX dust explosion protection	Ex tb IIIC T73 °C Db
ATEX gas certificate	PTB 06 ATEX 1008 X
ATEX gas explosion protection	⊕ II 2 G Ex db eb IIC T6 Gb
ATEX dust certificate	PTB 06 ATEX 1008 X
ATEX dust explosion protection	⊕ II 2 D Ex tb IIIC T73 °C Db
Certificates	ATEX (PTB), IECEX (PTB)

#### Electrical Data

Rated operational voltage	480 to 500 V AC
Rated operational current	16 A
Rated operational current note	Usable for up to 20 A depending on the connection cross-section
Electrical service life	> 5x10 <sup>3</sup> switching cycles
Mechanical service life	> 5x10 <sup>3</sup> switching cycles
Type of voltage	Low voltage
Utilisation category	AC-3: 500 V / 16 A AC-3: 500 V / 20 A DC-1: 110 V / 16 A
Switching capacity main contacts	4 kW: 200 to 250 V AC 7.5 kW: 380 to 500 V AC

# Installation equipment

Maintenance socket 16 A No mechanical locking device

With indicator lamp Maintenance socket

8570/51-407-S-01-0-XX-XXX Art. No. 296274



## Electrical Data

Frequency range	50 / 60 Hz
-----------------	------------

## Device Specific Data

Back-up fuse with thermal protection	35 A gG
--------------------------------------	---------

Back-up fuse without thermal protection	16 A gG
---	---------

## Ambient Conditions

Ambient temperature	-50 °C ... +65 °C
---------------------	-------------------

Ambient temperature	-58 °F ... +149 °F
---------------------	--------------------

Ambient temperature note	For further information, see the operating instructions.
--------------------------	--

## Mechanical Data

Degree of protection IP (IEC 60529)	IP66
-------------------------------------	------

IP degree of protection (IEC 60079)	IP64
-------------------------------------	------

Enclosure material	Polyamide, Glass fibre reinforced
--------------------	-----------------------------------

Silicone-free	No
---------------	----

Solid connection cross-section	1 x 1.5 mm <sup>2</sup> ... 2 x 6 mm <sup>2</sup>
--------------------------------	---

Connection cross-section AWG single stranded	1 x AWG 16 ... 2 x AWG 10
--	---------------------------

Finely stranded connection cross-section	1 x 1.5 mm <sup>2</sup> ... 2 x 4 mm <sup>2</sup>
--	---

Finely stranded connection cross-section AWG	1 x AWG 16 ... 2 x AWG 12
--	---------------------------

Width	115 mm
-------	--------

Width in inches	4.53 in
-----------------	---------

Height	180 mm
--------	--------

Height, inches	7.08 in
----------------	---------

Length	251 mm
--------	--------

Length, inches	9.88 in
----------------	---------

Impact strength (IEC 60079)	7 J
-----------------------------	-----

Impact strength (IEC 62262)	IK10
-----------------------------	------

Colour code	Black
-------------	-------

Coding (clock hour position)	7
------------------------------	---

Lockable in	in 0- and I-position
-------------	----------------------

Series	SolConeX
--------	----------

Detailed number of poles	3 P + PE
--------------------------	----------

Weight	-
--------	---

## Mounting / Installation

Connection	Screw terminal
------------	----------------

## Components

Cable entry note	Entry 1: Lower left Entry 2: Lower right
------------------	---

Entry 1 model	8161/7-M25-1707-LT
---------------	--------------------

Entry 1 type	Polyamide cable gland
--------------	-----------------------

Entry 1	M25 x 1.5
---------	-----------

Entry 1 terminal area	7 – 17 mm
-----------------------	-----------

Entry 1 clamping range, inch	0.28 – 0.67 in
------------------------------	----------------

Metal entry possible 1	No
------------------------	----

Entry 2 model	8290/3-M25
---------------	------------

# Installation equipment



Maintenance socket 16 A No mechanical locking device

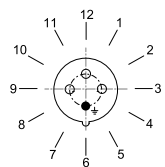
With indicator lamp Maintenance socket

8570/51-407-S-01-0-XX-XXX Art. No. 296274

## Components

Entry 2 type	Polyamide stopping plug
Entry 2	M25 x 1.5
Metal entry possible 2	No

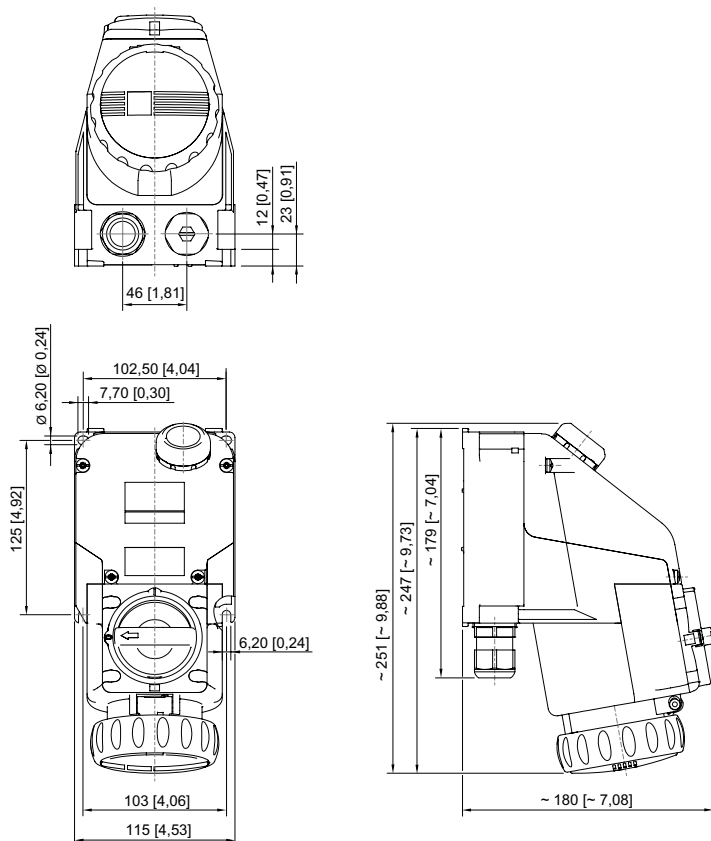
## Technical Drawings – Subject to Alterations



Position of clock hour position

Example: 6 h position

## Dimensional Drawings (All Dimensions in mm [inches]) – Subject to Alterations

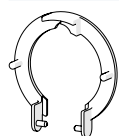


4-pole/5-pole maintenance socket

## Accessories

### Dust cover for sockets, Series 8570

Art. No.



Retrofittable dust protection for 4-pole sockets

255003

## Spare Parts

## Installation equipment



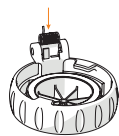
Maintenance socket 16 A No mechanical locking device

With indicator lamp Maintenance socket

8570/51-407-S-01-0-XX-XXX Art. No. 296274

### Repair set for Series 8570 sockets

Art. No.



Repair set 8570 hinged cover, 4-pole, black

274114

We reserve the right to make alterations to the technical data, dimensions, weights, designs and products available without notice. The illustrations cannot be considered binding.