

8252/13-0DDD0-111 Art. No. 216439



- Ex d enclosure in 3 sizes, pre-mounted with threads and DIN rails for standard terminals
- Enclosure holes for quick and easy mounting
- Also suitable for versions with electronic components and relays

MY R. STAHL 8252A



The new R. STAHL Series 8252/1 Ex d terminal boxes are made of seawater-resistant, copper-free aluminium casting alloy. The DIN rail is pre-mounted; in addition, the enclosures can be configured flexibly: Three sizes, 3, 4 or 5 hubs, metric or NPT thread – and always individually equipped, also with electronic components and relays.

Technical Data

Explosion Protection

Application range (zones)	1 2 21 22
IECEX gas certificate	IECEX BVS 11.0059X
IECEX gas explosion protection	Ex d IIC T5-T6 Gb
IECEX dust certificate	IECEX BVS 11.0059X
IECEX dust explosion protection	Ex tb IIIC T80°C-95°C Db
ATEX gas certificate	BVS 11 ATEX E 114 X
ATEX gas explosion protection	Ex II 2 G Ex d IIC T5-T6 Gb
ATEX dust certificate	BVS 11 ATEX E 114 X
ATEX dust explosion protection	Ex II 2 D Ex tb IIIC T80°C-95°C Db
Certificates	ATEX (BVS), China (NEPSI), IECEX (BVS), India (PESO)
Declaration of Conformity	ATEX (EUK), China (CCC)

Electrical Data

Rated operational voltage AC	0 ... 690 V
------------------------------	-------------

Ambient Conditions

Ambient temperature	-60 °C ... +70 °C
---------------------	-------------------

Mechanical Data

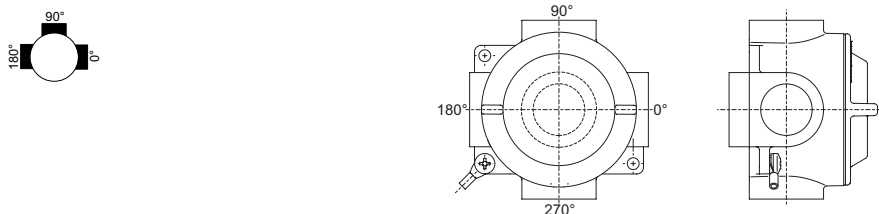
Degree of protection (IP)	IP66
Degree of protection note	according to IEC/EN 60529
Enclosure material	Cast aluminium alloy, Copper-free, powder-coated
Enclosure colour	Light grey (RAL 7032)
Dimensions (WxHxD)	120 x 120 x 99 mm
Width	120 mm
Height	120 mm
Depth	99 mm

8252/13-0DDD0-111 Art. No. 216439

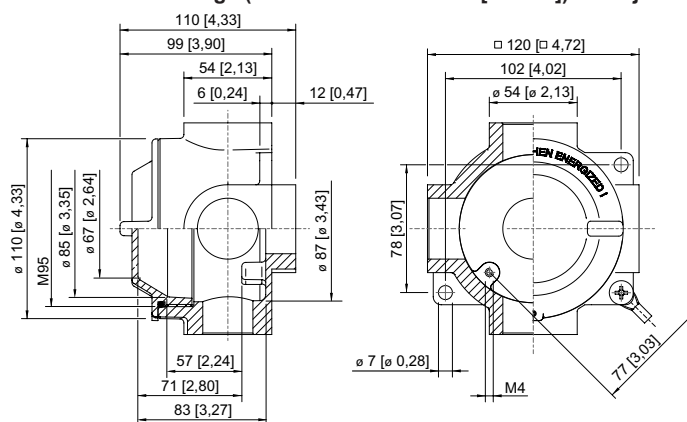
Mechanical Data

Built-in components	Mounting rail
Enclosure size	3
Floor openings (BASE)	without entry & without adaptor
Left openings (180°)	M32
Top openings (90°)	M32
Right openings (0°)	M32
Bottom openings (270°)	without entry & without adaptor
Weight	1.02 kg
Weight	2.25 lb

Technical Drawings – Subject to Alterations



Dimensional Drawings (All Dimensions in mm [inches]) – Subject to Alterations



Size 3

Accessories

DIN rail		Art. No.
	TS15 Dimensions: 15 x 5.5 x 86	211474
	TS35 Dimensions: 35 x 7.5 x 80	211858
Mounting plate		Art. No.
	70 x 70 x 2	211478
O-ring		Art. No.
	88.5 x 3	211482

Installation equipment

Ex d terminal box



8252/13-0DDD0-111 Art. No. 216439

We reserve the right to make alterations to the technical data, dimensions, weights, designs and products available without notice. The illustrations cannot be considered binding.