

8510/111-02-209-220 Art. No. 217503



- Type-tested standard components
- Corrosion-resistant enclosure material

MY R. STAHL 8510A



The R. STAHL Series 8510 relay module provides cost-effective overload protection for motors. It is available in various versions and can contain up to 4 relays, each with different contact types. It can be fitted in Ex e enclosures using an anti-vibration screw connection, easily accessible terminals simplify installation.

### Technical Data

#### Explosion Protection

|                                |   |
|--------------------------------|---|
| Application range (zones)      | 1<br>2  |
| IECEX gas certificate          | IECEX BVS 07.0029U                                  |
| IECEX gas explosion protection | Ex db eb IIC  |
| IECEX firedamp certificate     | IECEX BVS 07.0029U                                  |
| IECEX firedamp protection      | Ex de I   |
| ATEX gas certificate           | DMT 00 ATEX E 073 U                                 |
| ATEX gas explosion protection  | Ex II 2 G Ex db eb IIC                              |
| ATEX firedamp certificate      | DMT 00 ATEX E 073 U                                 |
| ATEX firedamp protection       | Ex I M2 Ex de I                                     |
| Certificates                   | ATEX (BVS), Brazil (ULB), China (CQST), IECEX (BVS) |

#### Electrical Data

|                         |                       |
|-------------------------|-----------------------|
| Rated actuating voltage | 24 V DC               |
| Switching capacity      | 2 W                   |
| Type of voltage         | DC                    |
| Auxiliary contacts      | 2 change-over contact |

#### Ambient Conditions

|                     |                   |
|---------------------|-------------------|
| Ambient temperature | -20 °C ... +60 °C |
|---------------------|-------------------|

#### Mechanical Data

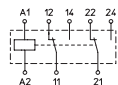
|  |                      |
|--|----------------------|
| Degree of protection (IP)                      | IP20                 |
| Enclosure material                             | Epoxy resin          |
| Connection cross-section                       | 1.5 mm <sup>2</sup>  |
| Connection cross section min.                  | 0.75 mm <sup>2</sup> |
| Max. connection cross section, solid           | 2,5 mm <sup>2</sup>  |
| Max. connection cross-section, finely stranded | 1,5 mm <sup>2</sup>  |

8510/111-02-209-220 Art. No. 217503

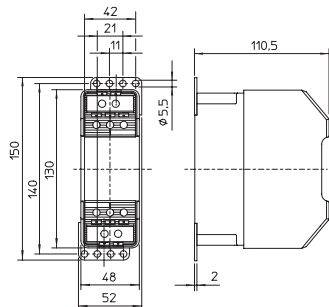
### Mechanical Data

|                          |                          |
|--------------------------|--------------------------|
| Type of connection cable | Solid<br>Finely stranded |
| Width                    | 48 mm                    |
| Height                   | 130 mm                   |
| Depth                    | 110.5 mm                 |
| Weight                   | 1.2 kg                   |
| Weight                   | 2.65 lb                  |

### Technical Drawings – Subject to Alterations



### Dimensional Drawings (All Dimensions in mm [inches]) – Subject to Alterations



8510/111

We reserve the right to make alterations to the technical data, dimensions, weights, designs and products available without notice. The illustrations cannot be considered binding.