

8510/122-05-235-120 Art. No. 217531



- Cost-effective overload protection for motors
- Easy to adjust and reset the release
- Robust modules, simple and anti-vibration installation

MY R. STAHL 8510J



R. STAHL Series 8510 motor protection relays offer cost-effective overload protection for motors with adjustment ranges up to 22.5 A. The release can be easily adjusted and reset. The relay modules in the corrosion-resistant enclosure have an anti-vibration screw connection in Ex e enclosures. Easily accessible terminals enable a safe connection and simple installation.

### Technical Data

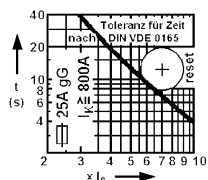
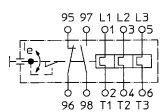
| <b>Explosion Protection</b>                            |                                                                            |
|--------------------------------------------------------|----------------------------------------------------------------------------|
| Application range (zones)                              | 1<br>2                                                                     |
| IECEX gas certificate                                  | IECEX BVS 07.0029U                                                         |
| IECEX gas explosion protection                         | Ex db eb IIC Gb                                                            |
| IECEX firedamp certificate                             | IECEX BVS 07.0029U                                                         |
| IECEX firedamp protection                              | Ex db eb I Mb                                                              |
| ATEX gas certificate                                   | DMT 00 ATEX E 073 U                                                        |
| ATEX gas explosion protection                          | Ex II 2 G Ex db eb IIC Gb                                                  |
| ATEX firedamp certificate                              | DMT 00 ATEX E 073 U                                                        |
| ATEX firedamp protection                               | Ex I M2 Ex db eb I Mb                                                      |
| Certificates                                           | ATEX (BVS), Brazil (ULB), Canada (FM), China (CQST), IECEX (BVS), USA (FM) |
| <b>Electrical Data</b>                                 |                                                                            |
| Rated operational voltage 2                            | 690 V AC                                                                   |
| Current-setting range                                  | 6 – 10 A                                                                   |
| Main contacts                                          | 3-pole (3 NO)                                                              |
| Auxiliary contacts                                     | 2 (1 NO + 1 NC)                                                            |
| <b>Ambient Conditions</b>                              |                                                                            |
| Ambient temperature                                    | -20 °C ... +60 °C                                                          |
| <b>Mechanical Data</b>                                 |                                                                            |
| Degree of protection (IP)                              | IP20                                                                       |
| Enclosure material                                     | Epoxy resin                                                                |
| Min. connection terminals                              | 1.5 mm <sup>2</sup>                                                        |
| Max. solid connection terminals                        | 10 mm <sup>2</sup>                                                         |
| Max. finely stranded connection terminals              | 6 mm <sup>2</sup>                                                          |
| Max. auxiliary contact connection cross-section, solid | 2.5 mm <sup>2</sup>                                                        |

8510/122-05-235-120 Art. No. 217531

### Mechanical Data

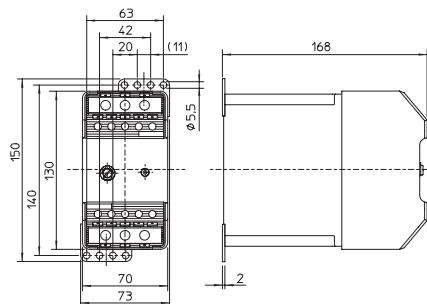
|                                                                  |                          |
|------------------------------------------------------------------|--------------------------|
| Max. auxiliary contact connection cross section, finely stranded | 1.5 mm <sup>2</sup>      |
| Type of connection cable                                         | Finely stranded<br>Solid |
| Width                                                            | 70 mm                    |
| Height                                                           | 130 mm                   |
| Depth                                                            | 168 mm                   |
| Weight                                                           | 1.3 kg                   |
| Weight                                                           | 2.87 lb                  |

### Technical Drawings – Subject to Alterations



Adjustment range: 6.0 - 10.0 A

### Dimensional Drawings (All Dimensions in mm [inches]) – Subject to Alterations



We reserve the right to make alterations to the technical data, dimensions, weights, designs and products available without notice. The illustrations cannot be considered binding.