

- Low profile, easy to fit inside cabinets
- Self-regulating heating element. Prevents overheating
- Rugged AISI 316L, acid steel construction
- Ambient air thermostat, integrated in heater junction box
- Low maintenance
- For use inside equipment enclosures and cabinets to prevent condensation and provide climatic control
- Frost protection

MY R. STAHL T9207C



Globally approved Ex e, self regulating enclosure heater. AISI 316L acid resistant steel enclosure and junction box. Junction box for electrical connections. Delivered with ambient air thermostat, +5 °C or +15 °C and power output from 100 W up to 600 W at 0 °C ambient, still air.

Technical Data

Explosion Protection

Application range (zones)	1 2
IECEX gas certificate	IECEX NEM 11.0005X
IECEX gas explosion protection	Ex e IIC T3 Gb
ATEX gas certificate	NEMKO 11ATEX1098X
ATEX gas explosion protection	Ex II 2 G Ex e IIC T3 Gb

Electrical Data

Power	1000 W
Frequency range	50 – 60 Hz

Ambient Conditions

Ambient temperature	-50 °C ... +50 °C (Under voltage)
Storage temperature	-50 °C ... +80 °C
Opening temperature OFF	+5 °C
Opening temperature tolerance	+/- 5°C

Mechanical Data

Version	Sandwich design
Degree of protection (IP)	IP66
Enclosure material	Stainless steel 1.4404
Max. connection cross section, solid	4 mm ²
Max. connection cross-section, finely stranded	2,5 mm ²
Cable length	0 m
Dimension A	424 mm
Dimension B	1004 mm
Dimension C	80 mm
Dimension D	80 mm
Dimension E	760 mm
Dimension F	397 mm

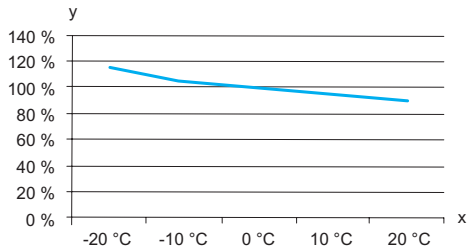
Mechanical Data

Weight	18.5 kg
Weight	40.79 lb

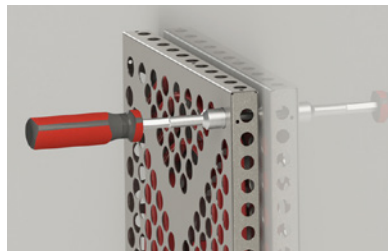
Components

Drilled holes	4 x M25
Cable glands and entries	1 x M25 x 1.5
Stopping plugs	3 x M25 x 1.5

Technical Drawings – Subject to Alterations



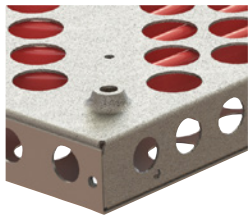
Estimated power output of heater in respect to ambient temperature
y = Effect %, x = Ambient temperature °C



Use a tool to tighten the screws firmly to secure the heater.

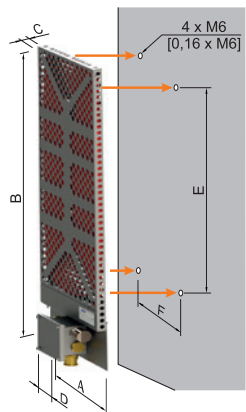


Sandwich design
Insert 4 x M6 screws and washers in the mounting brackets as shown. Use a wrench for tightening the screws firmly.

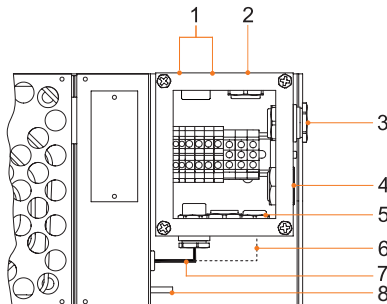


4 x Ø 6 mm mounting holes on the rear side of the heater

Dimensional Drawings (All Dimensions in mm [inches]) – Subject to Alterations



Note! Never install the heater with junction box facing upwards.



- 1 Ambient air thermostat
 - 2 Stopping plug M25
 - 3 Power in M25
 - 4 Breather M25
 - 5 Stopping plug M25
 - 6 ¹ 2x cold lead only (for sandwich design)
 - 7 ¹ Cold lead
 - 8 Earth bolt
- ¹ internal cables from heater plate (installed at TRANBERG Factory)

Nominal output ¹⁾	Overall dimensions				Mounting dimensions		Weight
	A	B	C	D	E	F	
100 W	233	430	30	80	190	160	2.92 kg
200 W	245	684	30	80	440	200	4.74 kg
300 W	280	834	30	80	590	240	6.72 kg
400 W	303	684	80	80	440	276	6.44 kg

TRANBERG Solutions

Enclosure heater With junction box

And temperature control device

TEF92074410 Art. No. 220181



500 W	360	1004	30	80	760	320	9.32 kg
600 W	343	834	80	80	590	316	11.76 kg
1000 W	424	1004	80	80	760	397	18.50 kg

^{*)} Note: Nominal output at still air at 0 °C

We reserve the right to make alterations to the technical data, dimensions, weights, designs and products available without notice. The illustrations cannot be considered binding.