

Ex GFSI Art. No. 240443



- Aluminium enclosure, powder-coated
- 1-pedal
- Available with or without protective collar
- Ergonomic pedal shape
- Wide cover opening width
- With connection chamber

MY R. STAHL GFIA



Ex foot switches are used on all machines and systems where manual actuation is not possible or feasible. All Ex foot switches from Series Ex GFS have a protective collar to prevent them being accidentally actuated by falling objects.

Technical Data

Explosion Protection

Area of application	European Union (ATEX) IECEX
Application range (zones)	1, 2, 21, 22
ATEX gas certificate	PTB 15 ATEX 1010
ATEX gas explosion protection	II 2 G Ex db eb IIC T6 Gb
ATEX dust certificate	PTB 15 ATEX 1010
ATEX dust explosion protection	II 2 D Ex tb IIIA T80 °C Db

Electrical Data

DC rated operational voltage	230 V
AC operating voltage (equal potential)	500 V
AC operating voltage (unequal potential)	250 V
Rated insulation voltage	500 V
Electrical service life	Max. 10 ⁶ operating cycles
Mechanical service life	Max. 10 ⁶ operating cycles
Rated surge voltage	4 kV
Max. short-circuit protection	5 A
Tripping characteristic	gL/gG
Switching function	Slow-action contact

Ambient Conditions

Ambient temperature	-40 °C ... +70 °C (For T6)
---------------------	----------------------------

Mechanical Data

Version	With protective collar
Degree of protection (IP) (IEC 60529)	IP66/IP67
Enclosure material	Aluminium die-casting, painted Corrosion-resistant aluminium, powder-coated
Enclosure colour	Similar to RAL 7016
Cover material	Corrosion-resistant aluminium, powder-coated
Contact material	Silver-nickel

Ex GFSI Art. No. 240443

Mechanical Data

Protective collar material	Corros.-resist. Al, pwdr-coat.
Solid connection cross section	0.75 – 2.5 mm ²
Finely stranded connection cross section	0.75 – 2.5 mm ²
Number of NCs	1
Positive opening operation	Yes
Number of NOs	1
Actuator	Pedal
Clamping range	4 ... 13 mm
Type of connection cable	Finely stranded Solid
Contacts	1 NC + 1 NO
Packaging unit	1
Weight	1.2 kg
Weight	2.65 lb

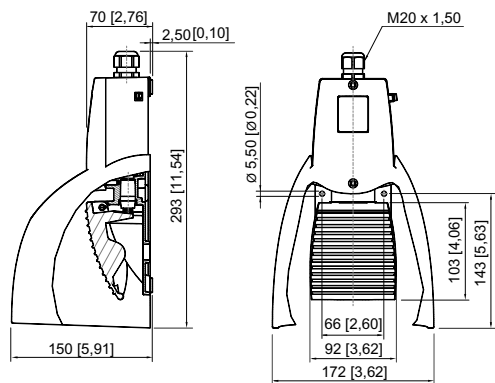
Mounting / Installation

Connection	Cable entry 8161 1xM20x1.5
------------	----------------------------

Components

Cable glands and entries	1 x M20 Ø 4 ... 13 mm
Material cable gland	Black plastic

Dimensional Drawings (All Dimensions in mm [inches]) – Subject to Alterations



Type Ex GFSI

We reserve the right to make alterations to the technical data, dimensions, weights, designs and products available without notice. The illustrations cannot be considered binding.