

Control Devices

LED indicator lamp For front installation

Ex e

8010/6-21-1 Art. No. 240900

STAHL



- Economical, advantageous LED technology: High luminance, low heat build-up, an extremely long service life and maintenance-free operation
- Easily visible light signals thanks to diffusers lenses in red, yellow, green, blue and white
- For use in temperatures as low as -60 °C

MY R. STAHL 8010C

R. STAHL Series 8010 indicator lamps use a white LED with a diffuser lens, the light on which can be coloured red, yellow, green or blue using calottes. This means that important switching device signals can be easily identified even under poor lighting conditions. The indicator lamps are robust and suitable for use at temperatures as low as -60 °C.

Technical Data

Explosion Protection

| | |
|--------------------------------|---|
| Scope of validity | European Union (ATEX) CEC IECEX NEC |
| Application range (zones) | 1 2 |
| IECEX gas certificate | IECEX PTB 17.0022U |
| IECEX gas explosion protection | Ex db eb IIC Gb |
| IECEX firedamp certificate | IECEX PTB 17.0022U |
| IECEX firedamp protection | Ex db eb I Mb |
| ATEX gas certificate | PTB 17 ATEX 1005 U |
| ATEX gas explosion protection | ⊕ II 2 G Ex db eb IIC Gb |
| ATEX firedamp certificate | PTB 17 ATEX 1005 U |
| ATEX firedamp protection | ⊕ I M2 Ex db eb I Mb |
| UL gas certificate | E182378V1S9 |
| Marking cULus | Class I, Div. 2, Groups A,B,C,D; Class I, Zone 1, AEx/Ex db eb IIC |
| Certificates | ATEX (PTB), Brazil (ULB), Canada (UL), China (CQST), IECEX (PTB), India (PESO), Korea (KTL), USA (UL) |
| Notes | Product label may vary. Series devices have certification according to ATEX, IECEX, NEC and CEC. |

Electrical Data

| | |
|------------------------------|--------------|
| Rated operational voltage AC | 12 – 230 V |
| Rated operational voltage DC | 12 ... 230 V |
| Voltage tolerance | -10 to +10% |
| Frequency | 0 to 60 Hz |
| Rated operational current | max. 12 mA |
| Max. rated operational power | 1 W |

Control Devices

LED indicator lamp For front installation

Ex e

8010/6-21-1 Art. No. 240900



Electrical Data

| | |
|-------------------------|--------------------------------|
| Electrical service life | 10 ⁵ lighting hours |
|-------------------------|--------------------------------|

Lighting Data

| | |
|------|-----------|
| Lamp | White LED |
|------|-----------|

Ambient Conditions

| | |
|---------------------|-------------------|
| Ambient temperature | -60 °C ... +75 °C |
|---------------------|-------------------|

| | |
|---------------------|--------------------|
| Ambient temperature | -76 °F ... +167 °F |
|---------------------|--------------------|

| | |
|--------------------------|--|
| Ambient temperature NEC® | -60 °C ... +75 °C (T6) -60 °C ... +90 °C (T5) |
|--------------------------|--|

| | |
|--------------------------|--|
| Ambient temperature NEC® | -76 °F ... +167 °F (T6) -76 °F ... +194 °F (T5) |
|--------------------------|--|

| | |
|-----------------------|-------------------|
| Operating temperature | -60 °C ... +85 °C |
|-----------------------|-------------------|

| | |
|-----------------------|--------------------|
| Operating temperature | -76 °F ... +185 °F |
|-----------------------|--------------------|

| | |
|---------------------------|-------------------|
| Operating temperature NEC | -60 °C ... +95 °C |
|---------------------------|-------------------|

| | |
|---------------------------|--------------------|
| Operating temperature NEC | -76 °F ... +203 °F |
|---------------------------|--------------------|

Mechanical Data

| | |
|---------------------------------------|------|
| Degree of protection (IP) (IEC 60529) | IP20 |
|---------------------------------------|------|

| | |
|--------------------|-----------|
| Enclosure material | Polyamide |
|--------------------|-----------|

| | |
|---------------|-----|
| Silicone-free | Yes |
|---------------|-----|

| | |
|--------------------------------|----------------------------|
| Solid connection cross section | 0.32 – 2.5 mm ² |
|--------------------------------|----------------------------|

| | |
|--|------------------|
| Connection cross-section AWG single stranded | 22 AWG to 14 AWG |
|--|------------------|

| | |
|--|----------------------------|
| Finely stranded connection cross section | 0.32 – 2.5 mm ² |
|--|----------------------------|

| | |
|--|------------------|
| Finely stranded connection cross-section AWG | 22 AWG to 14 AWG |
|--|------------------|

| | |
|--|----------------------------|
| Connection cross-section, finely stranded with core end sleeve | 0.32 – 2.5 mm ² |
|--|----------------------------|

| | |
|--|---------------|
| Connection cross-section, finely stranded with core end sleeve AWG | AWG22 - AWG14 |
|--|---------------|

| | |
|----------------|---|
| Packaging unit | 1 |
|----------------|---|

| | |
|--------|------|
| Weight | 30 g |
|--------|------|

| | |
|--------|----------|
| Weight | 0.066 lb |
|--------|----------|

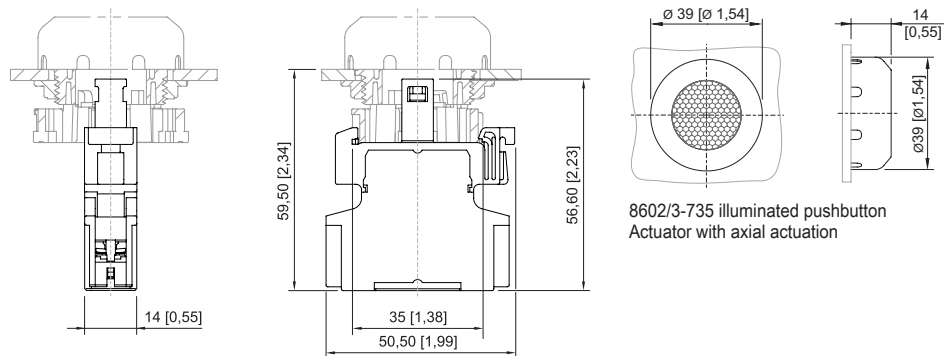
Mounting / Installation

| | |
|-------------------|--------|
| Tightening torque | 1.2 Nm |
|-------------------|--------|

| | |
|--------------------------|--------------|
| Tightening torque lbf in | 10.62 lbf in |
|--------------------------|--------------|

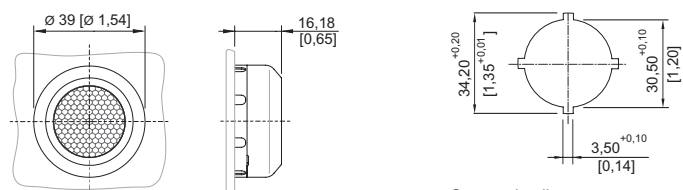
| | |
|------------|----------------|
| Connection | Screw terminal |
|------------|----------------|

Dimensional Drawings (All Dimensions in mm [inches]) – Subject to Alterations



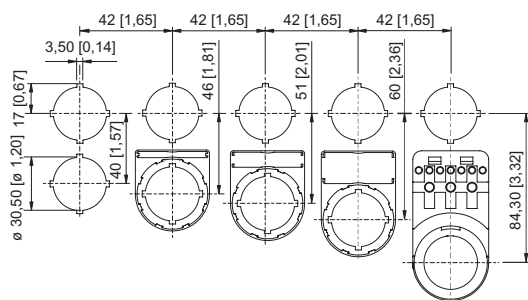
8602/3-735 illuminated pushbutton
Actuator with axial actuation

LED indicating lamp



8602/3-054 indicator lamp bezel
Actuator without actuation


Cut-out details




Cut-out with/without additional designation plate

Accessories

Indicator lamp bezel


| | Art. No. |
|---|----------|
|  <p>Diameter 39 mm All colours Silicone-free: Yes</p> | 223122 |
| <p>Diameter 39 mm All colours Silicone-free: No</p> | 223123 |

Illuminated pushbutton (spring return)

| | Art. No. |
|--|----------|
|  <p>Ø 39 mm Black All colours Silicone-free: Yes</p> | 244654 |
| <p>Ø 39 mm Black All colours Silicone-free: No</p> | 244655 |

Spare Parts

Adaptor for front installation

| | Art. No. |
|--|----------|
|  <p>8602/3 Front installation for indicator lamp series 8010/6 and contact element series 8082/3</p> | 227038 |

Control Devices

LED indicator lamp For front installation

Ex e

8010/6-21-1 Art. No. 240900



Holder for front installation

Art. No.



8602/3 holder for cable duct

248673

We reserve the right to make alterations to the technical data, dimensions, weights, designs and products available without notice. The illustrations cannot be considered binding.