



- Integrated terminal box, no need for extra connection box
- Access to bulb from top - enabling quick replacement of light source
- Supplied with isolators to be used between the lantern and hull/mast (such as aluminium) to prevent corrosion
- Durable bracket in stainless steel (SS316L) can be used when installing the lantern on 1" or 2" pipes
- Extremely durable to mechanical deterioration; resistant to vibrations
- Small dimensions; designed for use in arctic and tropical waters
- Lens of through-coloured glass – no decolouration throughout the lifetime of the lantern; 20 years warranty on lantern
- The lens can easily be cleaned for paint, bird droppings, pollution and oil

MY R. STAHL T2870A



Extensively tested in rough environments, navigation lights from Tranberg are the obvious choice by many vessel designers, ship owners and yards throughout the world. Our products and services meet the highest quality standards, perform reliably and efficiently to exceed customers expectations and assure market competitiveness.

The design of Tranberg's navigation lights is based on many years of experience and research in the field of professional Marine lighting. Carefully selected materials are used to ensure maximum performance, low maintenance and long trouble free life.

Technical Data

Explosion Protection

Area of application	European Union (ATEX) IECEX
Application range (zones)	2
IECEX gas certificate	IECEX PRE 14.0055X
IECEX gas explosion protection	Ex nR IIC T5 Gc
ATEX gas certificate	PRESAFE 14 ATEX 5436X
ATEX gas explosion protection	Ⓔ II 3 G Ex nR IIC T5 Gc

Electrical Data

Rated operational voltage AC	24 V
Power	40 W

Lighting Data

Lamp	P28S lamp base
Lamp type	1/2 allround light
Opening angle	181 °

Ambient Conditions

Ambient temperature	-52 °C ... +50 °C
---------------------	-------------------

Mechanical Data

Degree of protection (IP)	IP56
Enclosure material	Brass
Material dome	Lens made of stained glass

TEF28706119 Art. No. 242141

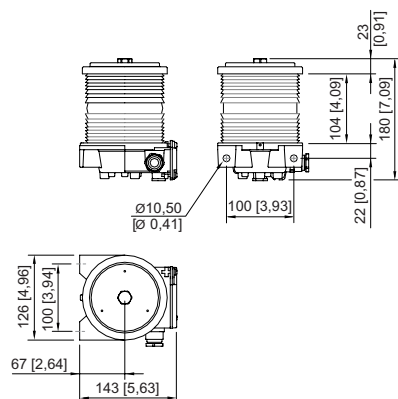
Mechanical Data

Type of connection cable	Finely stranded Solid
Colour of glass	Green
Weight	-

Components

Drilled holes	1 x M20
Cable glands and entries	1 x M20 Ø 6.5 ... 14 mm

Dimensional Drawings (All Dimensions in mm [inches]) – Subject to Alterations



We reserve the right to make alterations to the technical data, dimensions, weights, designs and products available without notice. The illustrations cannot be considered binding.