

# Signalling devices



Audible signalling device Loudspeaker  
In flameproof enclosure Increased safety  
8494/C-L-EN-ST-12-00 Art. No. 242310



- Loudspeaker: Directional/max. 121 dB(A)
- Type of protection: Ex d with Ex e connection chamber
- Class: IP66/67 (IEC 60529)
- Corrosion-resistant polyamide enclosure
- Including stainless steel fixings

MY R. STAHL 8494A



The **8494 product series** is a range of 25 W or 15 W loudspeakers designed for use in hazardous and harsh environments. These are unique as they are constructed using antistatic polyamide which provides a lightweight, robust, corrosion-resistant enclosure. For ultimate flexibility, wattage, impedance and transformer variants with 25, 15, 6.5, 5, 2.5 and 1.5 W connections are available. The variant with the short trumpet comes in a compact enclosure and provides wide sound distribution. The variant with the long trumpet provides an increased sound pressure level and improved audibility.

## Technical Data

### Explosion Protection

Area of application	IECEX European Union (ATEX) USA Canada
Application range (zones)	1, 2, 21, 22
IECEX gas certificate	IECEX PRE 14.0058X
IECEX gas explosion protection	Ex de mb IIC T4 Gb
IECEX dust certificate	IECEX PRE 14.0058X
IECEX dust explosion protection	Ex tb IIIC T105 °C Db
ATEX gas certificate	PRE 14ATEX 5555X
ATEX gas explosion protection	⊕ II 2 G Ex de mb IIC T4 Gb
ATEX dust certificate	PRE 14ATEX 5555X
ATEX dust explosion protection	⊕ II 2 D Ex tb IIIC T105 °C Db
Certificates	ATEX (PRE), Canada / USA (LC), IECEX (PRE)

### Electrical Data

Power	25 W
Impedance	8 Ω
Frequency range	450 – 6000 Hz

### Acoustic Data

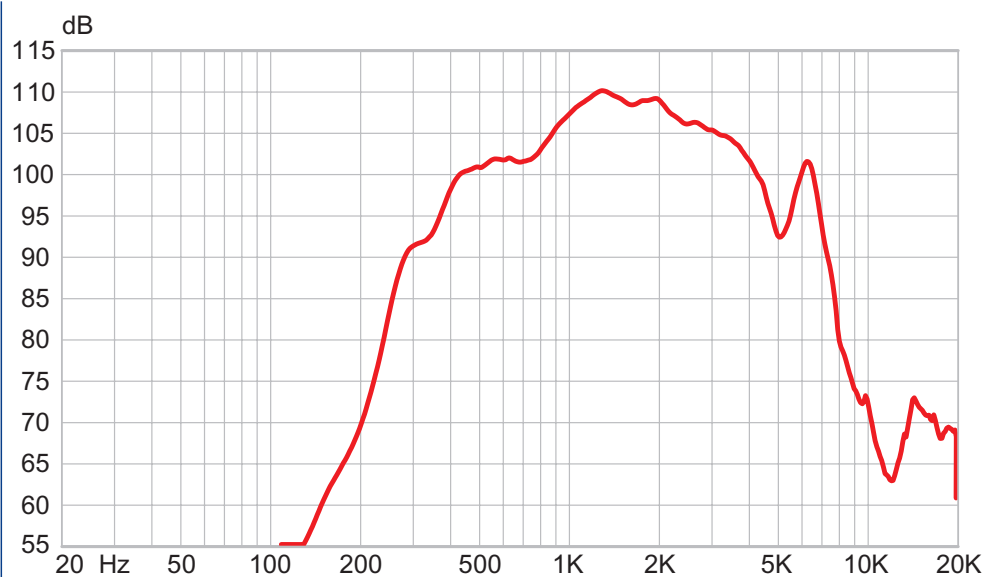
Sound pressure level	max. 118 dB(A) @ 1 m
----------------------	----------------------

# Signalling devices



Audible signalling device Loudspeaker  
In flameproof enclosure Increased safety  
8494/C-L-EN-ST-12-00 Art. No. 242310

Sound pressure level vs frequency at  
1 W



## Ambient Conditions

Ambient temperature -50 °C ... +60 °C

## Mechanical Data

Degree of protection (IP) (IEC 60529)	IP66/IP67
Enclosure material	Polyamide, antistatic
Enclosure colour	Black
Trumpet material	Polyamide, antistatic
Max. solid connection terminals	4 mm <sup>2</sup>
Max. finely stranded connection terminals	4 mm <sup>2</sup>
Width	275 mm
Height	200 mm
Length	348 mm
Flare size	Long trumpet
Weight	2.8 kg
Weight	6.17 lb

## Mounting / Installation

Connection type	Spring clamp terminal
Mounting part material	Polyamide, antistatic
Note about mounting	Pre-mounted

## Components

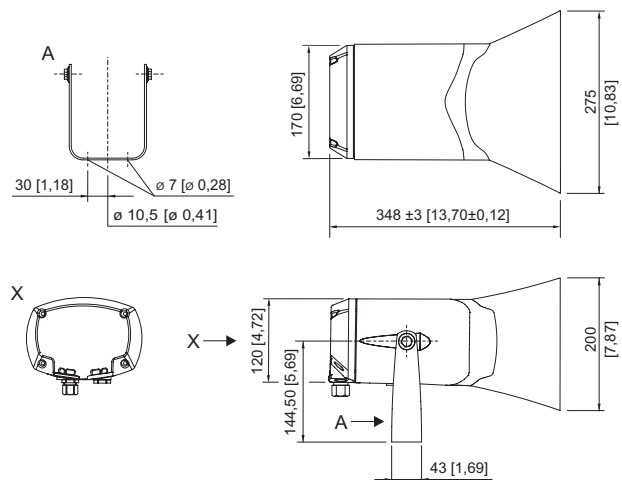
Drilled holes	2 x M20
Cable glands and entries	can be ordered as an accessory
Stopping plugs	2 x dust cap

# Signalling devices





Audible signalling device Loudspeaker  
 In flameproof enclosure Increased safety  
 8494/C-L-EN-ST-12-00 Art. No. 242310

## Dimensional Drawings (All Dimensions in mm [inches]) – Subject to Alterations



Hazardous area loudspeaker – long trumpet  
 Bracket (A) supplied as standard

## Accessories

		Art. No.
<b>Plastic cable gland</b>		
	8161/7-M20-1304, Ex e Plastic, M20 x 1.5, cable outer diameter 4 to 13 mm Lot size 50 pieces	239156
	<b>Stopping plug</b>	
	8290/3-M20 Plastic, M20 x 1.5 Lot size 1 piece	143522
	8290/3-M20 Plastic, M20 x 1.5 Lot size 100 pieces	285773

We reserve the right to make alterations to the technical data, dimensions, weights, designs and products available without notice. The illustrations cannot be considered binding.