

Signalling devices



Audible signalling device Loudspeaker
In flameproof enclosure Increased safety
8494/C-L-EN-ST-12-00 Art. No. 242310



- Loudspeaker: Directional/max. 121 dB(A)
- Type of protection: Ex d with Ex e connection chamber
- Class: IP66/67 (IEC 60529)
- Corrosion-resistant polyamide enclosure
- Including stainless steel fixings

MY R. STAHL 8494A



The **8494 product series** is a range of 25 W or 15 W loudspeakers designed for use in hazardous and harsh environments. These are unique as they are constructed using antistatic polyamide which provides a lightweight, robust, corrosion-resistant enclosure. For ultimate flexibility, wattage, impedance and transformer variants with 25, 15, 6.5, 5, 2.5 and 1.5 W connections are available. The variant with the short trumpet comes in a compact enclosure and provides wide sound distribution. The variant with the long trumpet provides an increased sound pressure level and improved audibility.

Technical Data

Explosion Protection

Scope of validity	IECEX European Union (ATEX) USA Canada
Application range (zones)	1 2 21 22
IECEX gas certificate	IECEX PRE 14.0058X
IECEX gas explosion protection	Ex de mb IIC T4 Gb
IECEX dust certificate	IECEX PRE 14.0058X
IECEX dust explosion protection	Ex tb IIIC T105 °C Db
ATEX gas certificate	PRE 14ATEX 5555X
ATEX gas explosion protection	⊕ II 2 G Ex de mb IIC T4 Gb
ATEX dust certificate	PRE 14ATEX 5555X
ATEX dust explosion protection	⊕ II 2 D Ex tb IIIC T105 °C Db
Certificates	ATEX (PRE), Canada / USA (LC), IECEX (PRE)

Electrical Data

Power	25 W
Impedance	8 Ω
Frequency range	450 – 6000 Hz

Acoustic Data

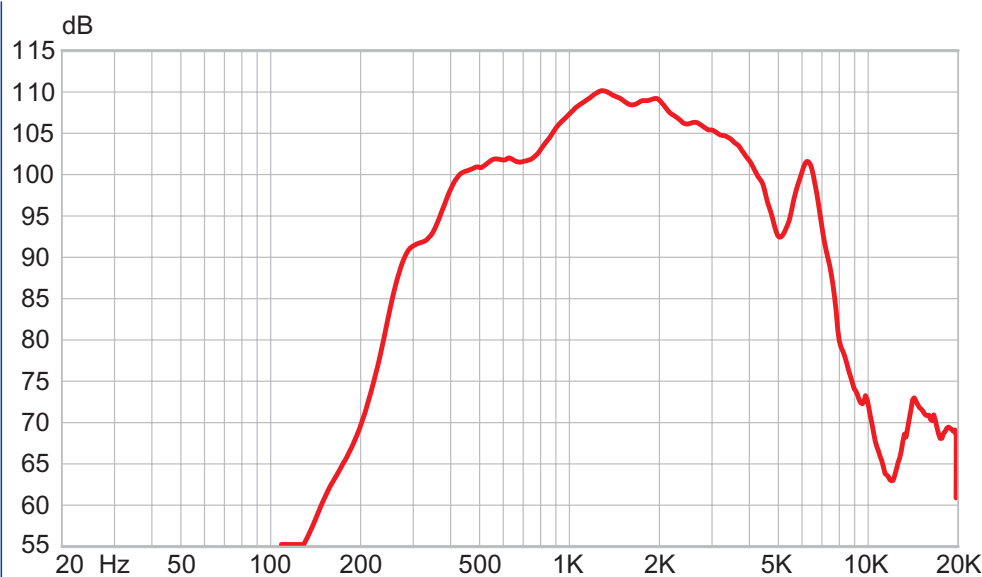
Sound pressure level	max. 118 dB(A) @ 1 m
----------------------	----------------------

Signalling devices



Audible signalling device Loudspeaker
In flameproof enclosure Increased safety
8494/C-L-EN-ST-12-00 Art. No. 242310

Sound pressure level vs frequency at
1 W



Ambient Conditions

Ambient temperature -50 °C ... +60 °C

Mechanical Data

Degree of protection (IP) (IEC 60529) IP66/IP67

Enclosure material Polyamide, antistatic

Enclosure colour Black

Trumpet material Polyamide, antistatic

Max. solid connection terminals 4 mm²

Max. finely stranded connection terminals 4 mm²

Width 275 mm

Height 200 mm

Length 348 mm

Flare size Long trumpet

Weight 2.8 kg

Weight 6.17 lb

Mounting / Installation

Connection type Spring clamp terminal

Mounting part material Polyamide, antistatic

Note about mounting Pre-mounted

Components

Drilled holes 2 x M20

Cable glands and entries Can be ordered as accessories

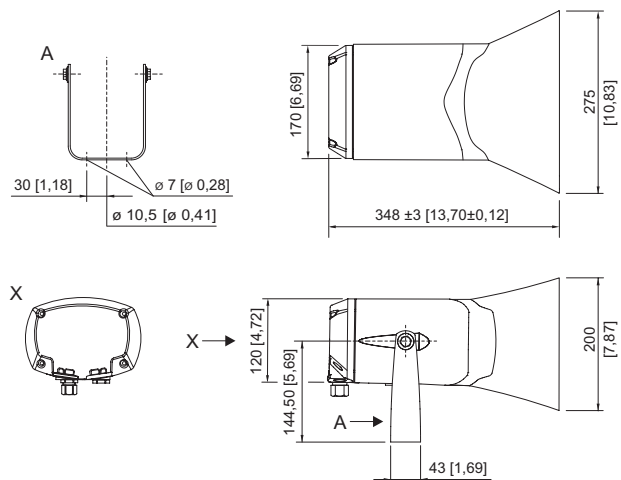
Stopping plugs 2 x dust cap

Signalling devices



Audible signalling device Loudspeaker
 In flameproof enclosure Increased safety
 8494/C-L-EN-ST-12-00 Art. No. 242310


Dimensional Drawings (All Dimensions in mm [inches]) – Subject to Alterations




Hazardous area loudspeaker – long trumpet
 Bracket (A) supplied as standard

Accessories

Cable gland made of plastic

		Art. No.
	8161/7-M20-1304, Ex e Plastic, M20 x 1.5, cable outer diameter 4 to 13 mm Lot size 50 pieces	239156

Stopping plug

		Art. No.
	8290/3-M20 Plastic, M20 x 1.5 Lot size 1 piece	143522
	8290/3-M20 Plastic, M20 x 1.5 Lot size 100 pieces	285773

We reserve the right to make alterations to the technical data, dimensions, weights, designs and products available without notice. The illustrations cannot be considered binding.