

Signalling devices



Audible signalling device Loudspeaker
In flameproof enclosure Increased safety
8494/C-L-EN-ST-14-00 Art. No. 242312



- Loudspeaker: Directional/max. 121 dB(A)
- Type of protection: Ex d with Ex e connection chamber
- Class: IP66/67 (IEC 60529)
- Corrosion-resistant polyamide enclosure
- Including stainless steel fixings

MY R. STAHL 8494A



The **8494 product series** is a range of 25 W or 15 W loudspeakers designed for use in hazardous and harsh environments. These are unique as they are constructed using antistatic polyamide which provides a lightweight, robust, corrosion-resistant enclosure. For ultimate flexibility, wattage, impedance and transformer variants with 25, 15, 6.5, 5, 2.5 and 1.5 W connections are available. The variant with the short trumpet comes in a compact enclosure and provides wide sound distribution. The variant with the long trumpet provides an increased sound pressure level and improved audibility.

Technical Data

Explosion Protection

| | |
|---------------------------------|---|
| Scope of validity | IECEX European Union (ATEX) USA Canada |
| Application range (zones) | 1 2 21 22 |
| IECEX gas certificate | IECEX PRE 14.0058X |
| IECEX gas explosion protection | Ex de mb IIC T4 Gb |
| IECEX dust certificate | IECEX PRE 14.0058X |
| IECEX dust explosion protection | Ex tb IIIC T105 °C Db |
| ATEX gas certificate | PRE 14ATEX 5555X |
| ATEX gas explosion protection | ⊕ II 2 G Ex de mb IIC T4 Gb |
| ATEX dust certificate | PRE 14ATEX 5555X |
| ATEX dust explosion protection | ⊕ II 2 D Ex tb IIIC T105 °C Db |
| Certificates | ATEX (PRE), Canada / USA (LC), IECEX (PRE) |

Electrical Data

| | |
|-----------------|---------------|
| Power | 25 W |
| Frequency range | 450 – 6000 Hz |

Acoustic Data

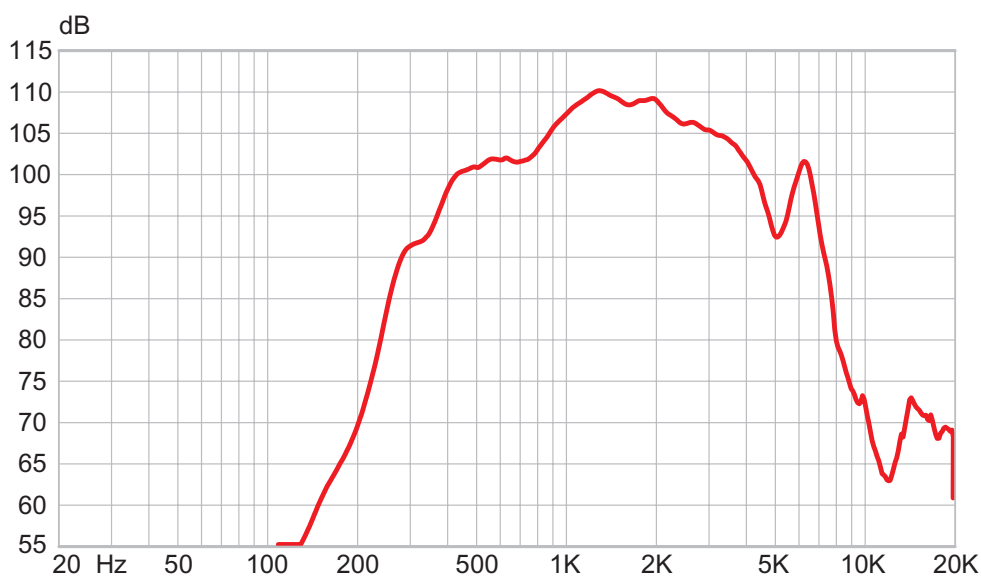
| | |
|----------------------|----------------------|
| Sound pressure level | max. 118 dB(A) @ 1 m |
|----------------------|----------------------|

Signalling devices



Audible signalling device Loudspeaker
In flameproof enclosure Increased safety
8494/C-L-EN-ST-14-00 Art. No. 242312

Sound pressure level vs frequency at
1 W



Ambient Conditions

Ambient temperature -50 °C ... +60 °C

Mechanical Data

Degree of protection (IP) (IEC 60529) IP66/IP67

Enclosure material Polyamide, antistatic

Enclosure colour Black

Trumpet material Polyamide, antistatic

Max. solid connection terminals 4 mm²

Max. finely stranded connection terminals 4 mm²

Width 275 mm

Height 200 mm

Length 348 mm

Flare size Long trumpet

Weight 2.8 kg

Weight 6.17 lb

Mounting / Installation

Connection type Spring clamp terminal

Mounting part material Polyamide, antistatic

Note about mounting Pre-mounted

Components

Drilled holes 2 x M20

Cable glands and entries Can be ordered as accessories

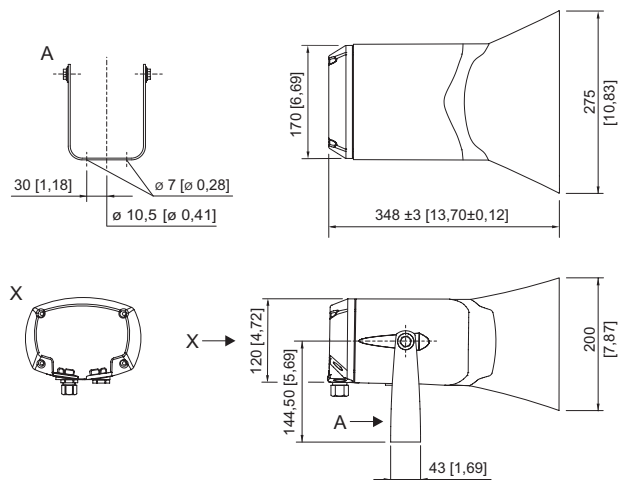
Stopping plugs 2 x dust cap

Signalling devices



Audible signalling device Loudspeaker
 In flameproof enclosure Increased safety
 8494/C-L-EN-ST-14-00 Art. No. 242312


Dimensional Drawings (All Dimensions in mm [inches]) – Subject to Alterations




Hazardous area loudspeaker – long trumpet
 Bracket (A) supplied as standard

Accessories

Cable gland made of plastic

| | | Art. No. |
|--|--|----------|
|  | 8161/7-M20-1304, Ex e Plastic, M20 x 1.5, cable outer diameter 4 to 13 mm Lot size 50 pieces | 239156 |

Stopping plug

| | | Art. No. |
|--|---|----------|
|  | 8290/3-M20 Plastic, M20 x 1.5 Lot size 1 piece | 143522 |
| | 8290/3-M20 Plastic, M20 x 1.5 Lot size 100 pieces | 285773 |

We reserve the right to make alterations to the technical data, dimensions, weights, designs and products available without notice. The illustrations cannot be considered binding.