

8040/11-V30-033-B Art. No. 245655



- Available as 2 pole OFF switch or changeover switch
- Enclosure made of optical fibre reinforced polyester resin
- Degree of protection IP66 according to IEC/EN 60529
- Clear position indicator 0/1 or ON/OFF

MY R. STAHL 8040F



The installation switches series 8040/11-V30 are used for lighting installations. Due to the 90° switching, the switching position is clearly indicated. This is an advantage if the lighting installation and the switch are located in different rooms. The fluorescent rotary actuator allows orientation in case of a lighting failure.

Technical Data

Explosion Protection

Scope of validity	European Union (ATEX) IECEX
Application range (zones)	1 2 21 22
IECEX gas certificate	IECEX PTB 06.0025
IECEX gas explosion protection	Ex db eb IIC T6 Gb
IECEX dust certificate	IECEX PTB 06.0025
IECEX dust explosion protection	Ex tb IIIC T80 °C Db
ATEX gas certificate	PTB 01 ATEX 1105
ATEX gas explosion protection	⊕ II 2 G Ex db eb IIC T6 Gb
ATEX dust certificate	PTB 01 ATEX 1105
ATEX dust explosion protection	⊕ II 2 D Ex tb IIIC T80 °C Db
Certificates	ATEX (PTB), Brazil (ULB), China (NEPSI), IECEX (PTB), India (PESO), Taiwan (ITRI)
Ship approval	DNVGL
Declaration of Conformity	ATEX (EUK), China (CCC)

Electrical Data

Rated operational voltage AC	690 V
Rated operational voltage DC	220 V
Rated operational current	16 A (T6)
No. of poles	2

Ambient Conditions

Ambient temperature °C	-20 °C ... +55 °C (T6) -20 °C ... +60 °C (T5)
Ambient temperature	-4 °F ... +131 °F (T6) -4 °F ... +140 °F (T5)

8040/11-V30-033-B Art. No. 245655

Mechanical Data

Version	Off switch
Degree of protection (IP)	IP66
Degree of protection IP (IEC 60529)	IP66
Enclosure material	Polyester resin, Glass fibre reinforced
Sealing material	NBR
Contact material	Silver-nickel
Min. connection terminals	1.5 mm ²
Max. solid connection terminals	4 mm ²
Max. finely stranded connection terminals	2.5 mm ²
Width	80 mm
Width, inches	3.15 in
Height	93 mm
Height, inches	3.66 in
Depth	72 mm
Depth, inches	2.76 in
Service life, min.	10 ⁵ operating cycles
Weight	600 g
Weight	1.32 lb

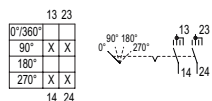
Mounting / Installation

Tightening torque	1.8 Nm
Tightening torque of cover screw 1	1.4 Nm
Tightening torque of cover screw 1 lbf in	12.4 lbf in

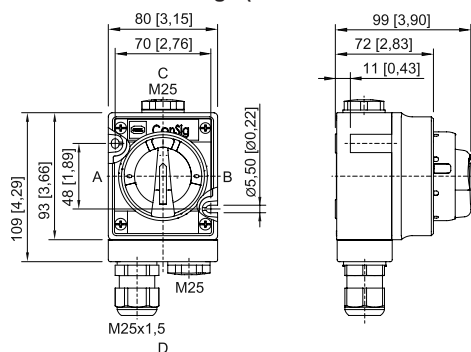
Components

Cable glands and entries	1 x M25 Ø 7 ... 17 mm
Stopping plugs	2 x M25 x 1.5
Entry type	Standard 8161, moulded material

Technical Drawings – Subject to Alterations




Dimensional Drawings (All Dimensions in mm [inches]) – Subject to Alterations



Accessories

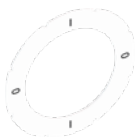
8040/11-V30-033-B Art. No. 245655

Rotary actuator, large
BG731

		Art. No.
	8602C3-731-B-90X-E08 Ø 65 mm Handle colour: Black Protective collar colour: Black Designation plate: 0/OFF – I/ON Lockable in: 90° Not installed -20 °C ... +60 °C Silicone-free: Yes	227223

Spare Parts

Labels for large BG 728, BG 729, BG 730, BG 731 rotary actuator

		Art. No.
	Dia. 58 I 0 I 0	227010

Switch

		Art. No.
	Off switch	128441

We reserve the right to make alterations to the technical data, dimensions, weights, designs and products available without notice. The illustrations cannot be considered binding.