

9786/15-12 Art. No. 308563



- Setup of FO network structures for PROFIBUS DP and Modbus RTU in hazardous areas
- "Ex op is" interface makes for easy installation and maintenance
- With error-signalling diagnostic function
- Simple parameterisation using a rotary switch
- Compatible with Series 9786 devices

MY R. STAHL 9786A

The Series 9786 media converters make it possible to transmit PROFIBUS DP and Modbus RTU signals over distances of up to 2.5 km without having to limit the baud rate. When used for Profibus DP, the devices enable redundant point-to-point, line and ring structures to be set up. Standard plug connectors can be connected to the "Ex op is" inherently safe optical interfaces. The plug connectors can be pulled out and plugged in during operation. The rotary switch can be used to parameterise the media converter very quickly and easily. Variant 9786/12-11 can be used in Zone 1, while variant 9786/15-12 is suitable for Zone 2.

Technical Data

Explosion Protection

Application range (zones)	2 22
Ex interface zone	2 22
IECEX gas certificate	IECEX EPS 22.0084X
IECEX gas explosion protection	Ex ec mc ic [op is Ga] IIC T4 Gc
IECEX dust certificate	IECEX EPS 22.0084X
IECEX dust explosion protection	[Ex op is Da] IIIC
ATEX gas certificate	EPS 22 ATEX 1 353 X
ATEX gas explosion protection	⊕ II 3 (1) G Ex ec mc ic [op is Ga] IIC T4 Gc
ATEX dust certificate	EPS 22 ATEX 1 353 X
ATEX dust explosion protection	⊕ II (1) D [Ex op is Da] IIIC
Certificates	ATEX (EPS), Canada (FM), IECEX (EPS), USA (FM)
Declaration of Conformity	ATEX (EUK)
Installation	Zone 2 and safe areas

Safety Data

Safety-related max. voltage	40 V
-----------------------------	------

Electrical Data

Number of channels	2
Signal types	Ex op is & RS-485 fibre optics
Protocols	PROFIBUS DP Modbus RTU ServiceBus R.STAHL (IS1+)
Interface data rate, field side	9.6 kbps ... 1.5 Mbps
Data transmission display	yellow port A and port B

9786/15-12 Art. No. 308563

Electrical Data

Electrical interface data rate	9.6 kbps – 1.5 Mbps
Electric interface version	RS 485
Electric interface connection	Sub-D socket, 9-pole
Network structure	Line Point-to-point Ring
Optical interface connection	ST®, BFOC/2.5 socket
Optical interface transmission distance	1500 ... 2500 m
Error control	Fault/malfunction inside the device (self-diagnostics) No operating voltage/operating voltage too low RS485/RS485 IS: Communication error No idle level/FO section interrupted FO communication error
Error signal output	electronic alarm contact
FO wavelength	820 nm
Parameterisation via rotary switch	See operating instructions (protocol, topology, Modbus RTU parity, data rate)
Compatibility	Compatible with series 9786

Auxiliary Power

Auxiliary power	24 V DC
Nominal voltage	24 V DC
Auxiliary power voltage range	18 to 32 V
Nominal current	100 mA
Power consumption	2.4 W
Max. power dissipation	3.2 W
Polarity reversal protection	Yes
Operation indication	Green "PWR" LED

Ambient Conditions

Ambient temperature	-40 °C ... +70 °C
Ambient temperature	-40°F ... +158°F
Storage temperature	-40°C ... +70°C
Storage temperature	-40°F ... +158°F
Maximum relative humidity	93%
Use at the height of	< 2000 m

Mechanical Data

Degree of protection (IP)	IP20
Enclosure material	Anodised aluminium
Connection cross-section	0.2 ... 0.34 mm ² dua-wire flex 0.2 ... 0.75 mm ² dua-wi. rigid 0.2 ... 1.5 mm ² sin.-wire flex 0.2 ... 2.5 mm ² sin.-wire rig.
Conn. cr-sect. er. sig. out.	0.2 ... 2.5 mm ² sin.-wire rig. 0.25 ... 2.5 mm ² si.-wire flex 0.5 ... 1.5 mm ² dual-wire flex
Connection cross-section AWG	24 ... 14
Grid dimension	65 mm
Width	65 mm
Width, inches	2.559 in

9786/15-12 Art. No. 308563

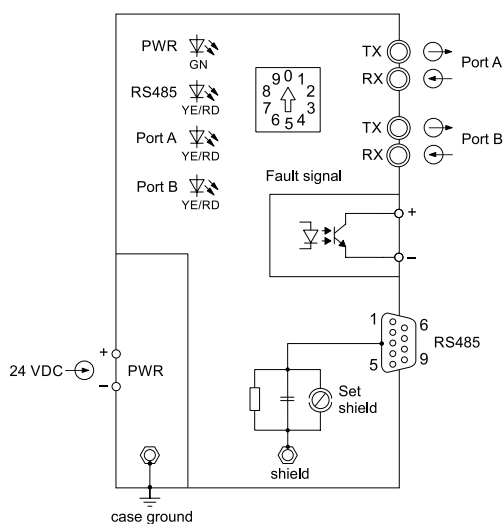
Mechanical Data

Height	73.5 mm
Height, inches	2.894 in
Length	105 mm
Length, inches	4.13 in
Weight	814 g
Weight	1.79 lb

Mounting / Installation

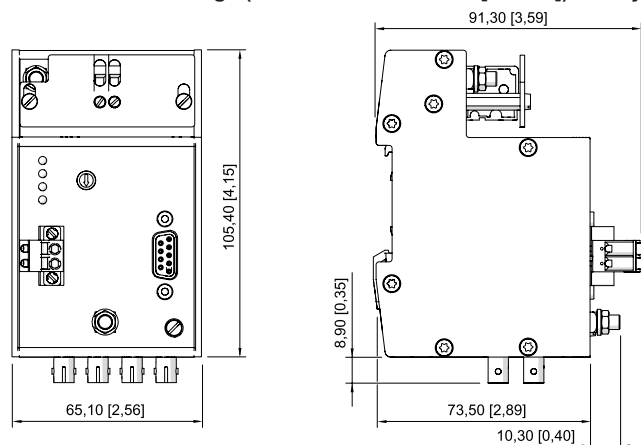
Mounting type	DIN rail NS35/15, NS35/7.5
Mounting orientation	Vertical
Connection type	Screw terminal

Technical Drawings – Subject to Alterations



Type 9786/15-12

Dimensional Drawings (All Dimensions in mm [inches]) – Subject to Alterations



Accessories

Sub-D plug, RS-485

Art. No.

9786/15-12 Art. No. 308563



9-pin for connecting fieldbus or ServiceBus to CPU & power module Type 9440/15, 9185 field-busisolatingrepeater and 9786/15-12 media converter.
The end-of-line resistor is installed and switchable. For non-intrinsically safe RS-485.
Ambient temperature: -40 °C to +75 °C

105715

We reserve the right to make alterations to the technical data, dimensions, weights, designs and products available without notice. The illustrations cannot be considered binding.