

EC-940S-AFZ-3PA-W24-56 Art. No. 257722



- Certified for hazardous zones 1, 2, 21, 22 acc. to ATEX, IECEx
- Analogue camera for real-time transmission.
- Enclosure electropolished and Silicon micro-blasted
- Delivery with armoured cable

MY R. STAHL EC940SAFZAA



R. STAHL's EC-940S-AFZ zoom cameras are all-round talents for surveillance in hazardous areas because in addition to an excellent panoramic view they also produce very good detailed images. This is guaranteed by the high image definition (550 TVL) and the optical 36x zoom of the analogue camera. The camera functions are controlled via RS-485 and PELCO D or Panasonic. The built-in wiper and the optional water tank also ensure a clear view. This analogue surveillance camera series transmits images in real-time, providing users with a non-stop overview in time-critical applications.

Technical Data

Explosion Protection

Application range (zones)	1 2 21 22
Certifications	ATEX, IECEx
IECEx gas certificate	ITS 16.0026X
IECEx gas explosion protection	Ex d IIC T5 Gb
IECEx dust certificate	ITS 16.0026X
IECEx dust explosion protection	Ex tb IIIC 100 °C Db IP66, 68,
ATEX gas certificate	16 ATEX 18446X
ATEX gas explosion protection	⊕ II 2 G Ex d IIC T5 Gb
ATEX dust certificate	16 ATEX 18446X
ATEX dust explosion protection	⊕ II 2 D Ex tb IIIC 100 °C Db IP66, 68,
Lloyd's Register categories	ENV1, ENV2, ENV3, ENV5
Ship certificates	Lloyd's

Electrical Data

Rated operational voltage AC	24 V
Rated operational voltage DC	12 ... 24 V
Rated operational current AC	2.2 A
Rated operational current for DC	2.2 – 3.5 A
Interfaces	RS-485 half duplex
I/O alarm	1x alarm input
I/O relay	1x relay output

EC-940S-AFZ-3PA-W24-56 Art. No. 257722

Camera Data

Sensor	1/4 EXView HAD CCD
TV system	PAL
Lens	f = 3.4 (w) to 122.4 mm (t) From F1.8 to F3.4
Viewing angle	57.8° (wide), 1.7° (tele.)
Focus	Automatic focus
Zoom	36x optical
Resolution	550 TVL
Pixel	440000
Minimum working distance	10 mm (wide), 1500 mm (tele)
Minimum illumination B/W (ICR-ON)	0.01 lx, 1/3s
Minimum illumination color (ICR-OFF)	0.1 lx 1/3S
S/N ratio	> 50 dB
Back light compensation	On/Off
Electronic shutter	1/1 to 1/10,000s
WDR (dynamic range)	0 dB
White balance	Auto, ATW, internal, external, External auto, sodium vapour lamp (Fixed, auto, external auto) Auto), one-push, manual

Software

Serial Communication Protocol	Panasonic 850, Pelco D, Macro
-------------------------------	-------------------------------

Ambient Conditions

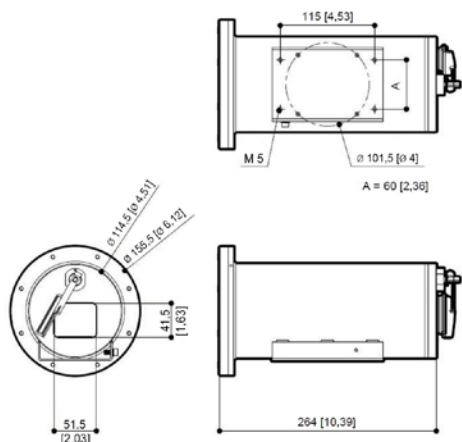
Ambient temperature	-50 °C ... +65 °C
Cold start range (with heating)	-40 °C

Mechanical Data

Version	Movable viewing angle
Degree of protection (IP)	IP66, 68,
Note on degree of protection	IP69 only enclosure
Enclosure material	Stainless steel 1.4404
Surface treatment	Electropolished and Silicon micro-blasted
Cable structure	Armoured cable
Cable length	4 m
Opening for cable gland	1 3/4" NPT with cable gland
Integrated wiper	Yes
Package weight	12.5 kg
Package dimensions	600 x 300 x 600 mm
Weight	8 kg
Weight	17.64 lb

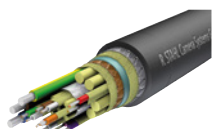
EC-940S-AFZ-3PA-W24-56 Art. No. 257722

Dimensional Drawings (All Dimensions in mm [inches]) – Subject to Alterations



Accessories

Camera multi-cable armoured



VB-CAM-MULTI-Analog-ARM

1 x coaxial cable
3 x power supply 2.5 mm²
7 x data cable 0.34 mm²
-60 °C ... +80 °C
16.5 ±0.3 mm outer diameter
IEC 60332-1 flame-resistant
IEC 60754-2 halogen-free
DIN 60811-404 oil-resistant
NEK 606 mud-resistant

Art. No.

252572

Ex e Terminal box



JCT-8146-Ethernet+Analog 5xcable glands

Terminal box, polyester resin
Version for ethernet Tx or analog cameras
Dimensions without cable glands (HxWxD): 340.5 mm x 340.5 mm x 91 mm
Ingress protection: IP66
equipped with:
5 x cable glands:
2 x CMP-25SC2KVAR KLE MsNi M25x1.5
1 x 8161/7-M25-1707 with red stopping plug
2 x 8161/7-M20-1304 with red stopping plug
usable for:
EC-750, EC-910-AFZ, EC-940S-AFZ (ATEX, IECEX)
EC-840S-TIC (ATEX, IECEX), EC-94x-PTZ, Water tank

Art. No.

265668

Wall bracket



WB-EC-840S/EC-940S

Suitable for EC-x40S series
Material: 316L stainless steel, electropolished
Capacity: max. 40 kg
Length: 420 mm

Art. No.

251387

EC-940S-AFZ-3PA-W24-56 Art. No. 257722

Pole adapter module		Art. No.
	<p>PMA-EC-840S / EC-940S Suitable for EC-x40S For pole diameter 110 ... 150 mm Material: 316L stainless steel, electropolished Capacity: max. 50 kg Weight: 3.3 kg Only together with wall bracket EC-x40S type 251387</p>	251380
Corner adapter module		Art. No.
	<p>CMA-EC-840S / EC-940S Suitable for EC-x40S series Material: 316L stainless steel, electropolished Capacity: max. 50 kg Only together with wall bracket EC-x40S type 251387</p>	251381
Parapet mounting bracket		Art. No.
	<p>PM-EC-840S / EC-940S Suitable for EC-x40S series Material: 316L stainless steel, electropolished Capacity: max. 70 kg Height: 124 mm Only together with ball joint adapter EC-x40S type 251388</p>	251386
Ball joint		Art. No.
	<p>MPT-Head-EC-840S/EC-940S 316L stainless steel, electropolished Capacity: max. 40 kg Diameter: 101.6 mm</p>	251388
Water tank		Art. No.
	<p>WaterTank 10-PV-A 316L (1.4404) stainless-steel enclosure, electropolished Capacity 10 litres Pressure generation by manual pumping or with compressed air Pressure: max 6 bar 24 V AC/DC, max 20 W Temp. range -40 °C to +60 °C (depending on freezing point of liquid used) ATEX certified Zone 1, 2 Suitable for EC-94x-PTZ and EC-940S-AFZ</p>	251366

We reserve the right to make alterations to the technical data, dimensions, weights, designs and products available without notice. The illustrations cannot be considered binding.