

8265/53 Art. No. 258122



- High-frequency motion sensor
- Intelligent sensor technology
- Adjustable switching time
- Operating point adjustable for dawn/dusk

MY R. STAHL 8265E

The motion sensor is equipped with intelligent sensor technology that provides additional security. With a range from 1 to 8 m, a switching load of 1000 W and an operating point from 2 to 2000 lux, the motion sensor is perfect for controlling lights and lighting systems.

Technical Data

Explosion Protection	
Application range (zones)	1, 2, 21, 22
IECEX gas certificate	IECEX PTB 07.0029
IECEX gas explosion protection	Ex db eb IIC T6 Gb
IECEX dust certificate	IECEX PTB 07.0029
IECEX dust explosion protection	Ex tb IIIC T80 °C Db
ATEX gas certificate	PTB 06 ATEX 1077
ATEX gas explosion protection	Ex II 2 G Ex db eb IIC T6 Gb
ATEX dust certificate	PTB 06 ATEX 1077
ATEX dust explosion protection	Ex II 2 D Ex tb IIIC T80 °C Db
Certificates	ATEX (PTB), Brazil (ULB), China (NEPSI), IECEX (PTB), India (PESO), Korea (KGS)
Declaration of conformity	China (CCC)
Ambient Conditions	
Ambient temperature	-20 °C ... +40 °C
Ambient temperature	-4°F ... +104°F
Mechanical Data	
Degree of protection (IP)	IP66
Degree of protection note	with silicone seal
Enclosure material	Aluminium, copper-free, Seawater-resistant
Material note	For long-term use in marine environments, we recommend painting the unit
Clamping range max.	2.5 mm ²
Cover	Closed
Design	Motion sensor
Width	195 mm
Width, inches	7.68 in
Height	172 mm
Height in inches	6.77 in
Length	195 mm

8265/53 Art. No. 258122

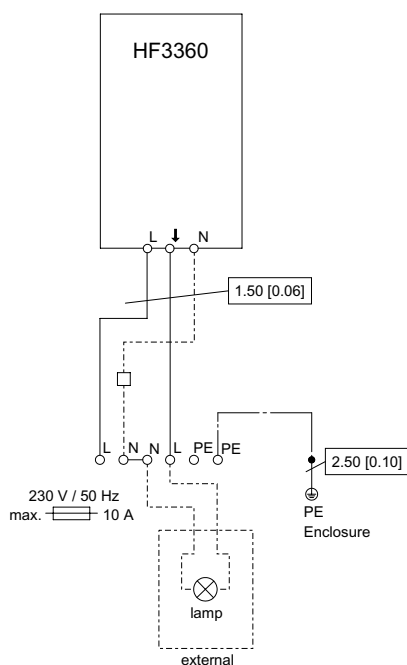
Mechanical Data

Length in inches	7.68 in
Diameter	234 mm
Diameter inch	9.21 in
Seal	2 x M20 Novapress 815
Enclosure size	3
Weight	8.18 kg
Weight	18.04 lb

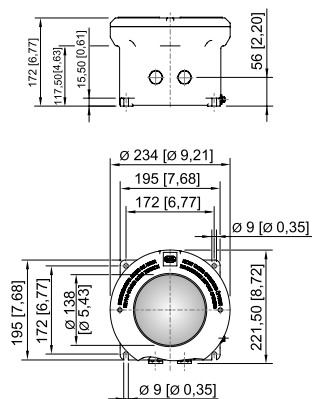
Components

Stopping plugs	2 x CMP-757D MsNi M20
Stopping plug note	with white seal PA M20

Technical Drawings – Subject to Alterations



Dimensional Drawings (All Dimensions in mm [inches]) – Subject to Alterations



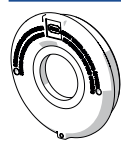
Enclosure size 3 with sight glass

Accessories

8265/53 Art. No. 258122

Cover with sight glass

Art. No.



for size 3 enclosure
visible cut-out in the sight glass dia. 142 mm [5.59 inches]

143452

Metal cable gland

Art. No.



Ex d and Ex e cable glands with RapidEx sealing system for all types of unarmoured cables and wire-braid-armoured cables (nickel-plated brass)
Type 20PX2K-REX, M20 x 1.5

246649

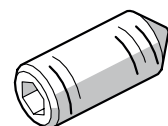


Ex d and Ex e cable glands with RapidEx sealing system for all types of unarmoured cables and wire-braid-armoured cables (nickel-plated brass)
Type 20PXSS2K-REX, M20 x 1.5

246605

Threaded pin

Art. No.

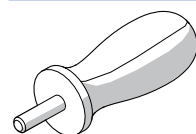


M5x16-A2 with hexagon socket and pointed tip

110216

Box spanner

Art. No.



for opening a size 1, 2, 3, 4 enclosure cover
two box spanners are required

142059

Grease for thread gaps

Art. No.



Grease for low temperatures

275854

Spare Parts

Mounting plate

Art. No.

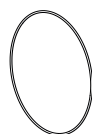


for enclosure size 3
M5 x 8 screws are not included in the delivery

143485

O-ring

Art. No.



Silicone, for enclosure size 3

305500

We reserve the right to make alterations to the technical data, dimensions, weights, designs and products available without notice. The illustrations cannot be considered binding.