

# Lighting

## Linear luminaire For fluorescent lamps

GRP

6401/542-8508-15-142 Art. No. 261346



- Can be used in Zone 2, 21 and 22
- Explosion-protected linear luminaire with two fluorescent lamps: 18 W, 36 W and 58 W
- Extremely robust: Impact strength rating of IK10

MY R. STAHL 6401A



The 6401 EXLUX luminaire is suited to normal indoor and outdoor lighting applications. In no time at all and with very little effort, using the accessories it can be fitted to the wall, ceiling or a pole, or alternatively, it can be suspended. The practical central lock is available with an optional switching element that disconnects the power supply at all poles when the plastic enclosure is opened. Lightweight yet strong: The high-quality workmanship makes this luminaire robust and minimises maintenance requirements.

### Technical Data

Explosion Protection	
Ex version	Yes
Application range (zones)	2, 21, 22
IECEX gas certificate	IECEX PTB 14.0035
IECEX gas certificate	IECEX PTB 14.0035
IECEX gas explosion protection	Ex ec IIC T4 Gc
IECEX dust certificate	IECEX PTB 14.0035
IECEX dust explosion protection	Ex tb / tc IIIC T80 °C Db
ATEX gas certificate	PTB 14 ATEX 2017
ATEX gas certificate	PTB 14 ATEX 2017
ATEX gas explosion protection	⊕ II 3 G Ex ec IIC T4 Gc
ATEX dust certificate	PTB 14 ATEX 2016
ATEX dust explosion protection	⊕ II 2 D Ex tb / tc IIIC T80 °C Db
Certificates and approvals	ATEX IECEX
Certificates	ATEX (PTB), IECEX (PTB)
Electrical Data	
Rated operational voltage AC	220 ... 240 V
Rated operational voltage DC	220 ... 240 V
Frequency range	50 – 60Hz
Lighting Data	
Number of lamps	2
Lamp wattage	36 W
Lamp	G13 lamp base
Luminaire efficacy	0 lm/W
Luminous flux	0 lm

# Lighting

Linear luminaire For fluorescent lamps

GRP

6401/542-8508-15-142 Art. No. 261346



## Ambient Conditions

Ambient temperature -30 °C ... 50 °C (T80 °C) Note: Through wiring Max. 3x16 A

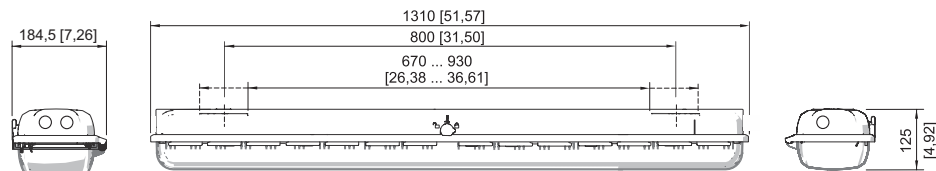
## Mechanical Data

Version	Standard
IP degree of protection (IEC 60598)	IP66/IP67
Class	I (with inner PE connection)
Enclosure material	Polyester resin, Glass fibre reinforced
Enclosure colour	Light grey (RAL 7035)
Sealing material	Silicone
Silicone-free content	Contains silicone
Translucent cover material	Polycarbonate
Installed terminal strip	PE + N + L1 + L2 + L3
Max. solid connection terminals	6 mm <sup>2</sup>
Max. finely stranded connection terminals	4 mm <sup>2</sup>
Type of connection cable	Finely stranded Solid Stranded
Size	4
Width	184 mm
Height	125 mm
Length	1310 mm
Impact strength (IEC 62262)	IK10
Weight	12.57 lb
Disconnection of the luminaire	No

## Components

Threaded plate	2x SS430 stainless steel
Ballast	ELXe
Through wiring	With 5 conductors 2.5 mm <sup>2</sup>
Drilled holes	4 x M25
Cable glands and entries	can be ordered as an accessory
Stopping plugs	Can be ordered as accessories
Accessories	without

## Dimensional Drawings (All Dimensions in mm [inches]) – Subject to Alterations



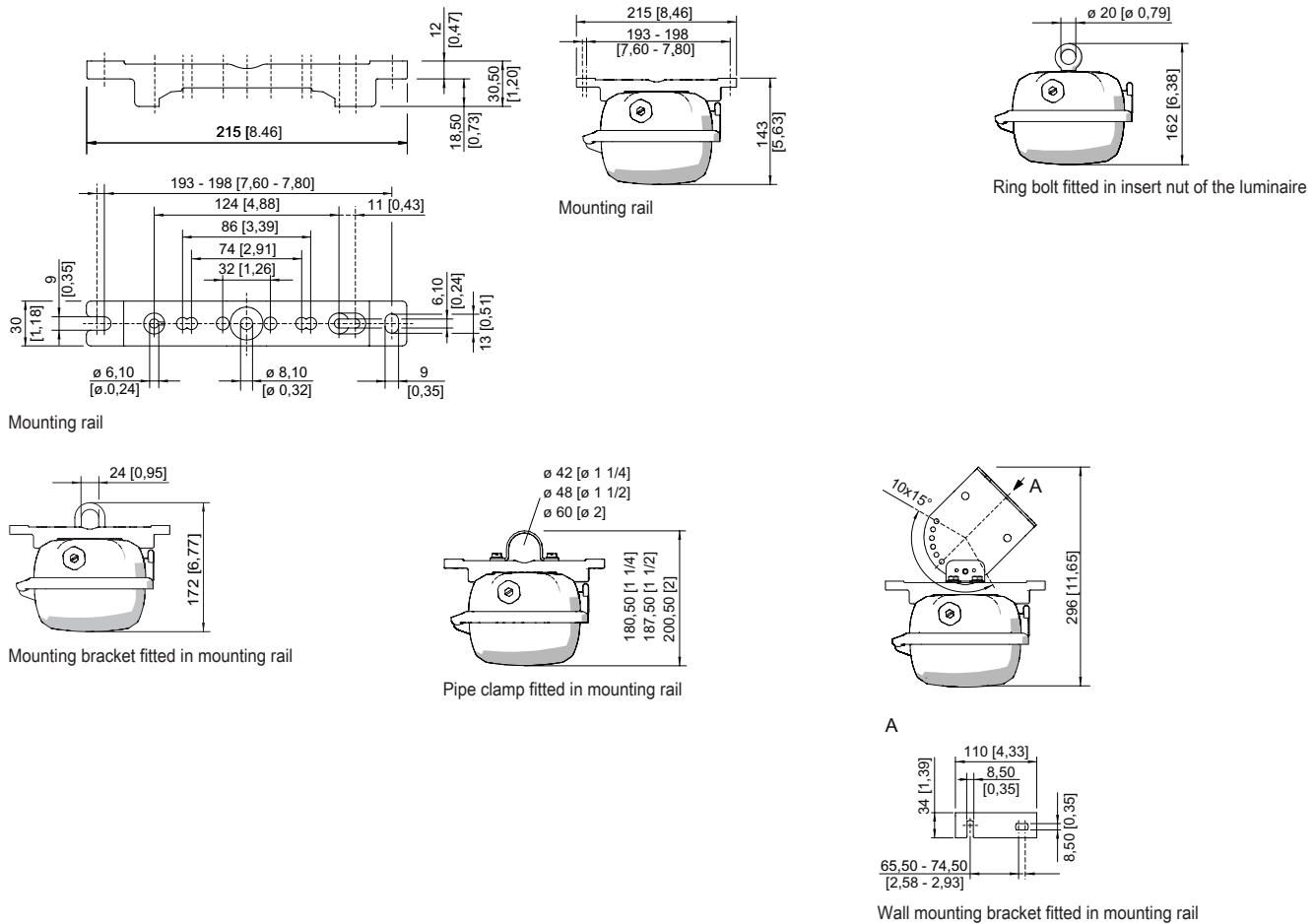
Size 4

# Lighting

Linear luminaire For fluorescent lamps

GRP

6401/542-8508-15-142 Art. No. 261346



## Accessories

### Holder for translucent cover



The fall prevention system for the light fitting cover prevents the light fitting cover from falling accidentally when the light fitting is opened.

Art. No.

226791

We reserve the right to make alterations to the technical data, dimensions, weights, designs and products available without notice. The illustrations cannot be considered binding.