

Isolators

Digital output loop powered

Ex i field circuit

9276/10-24-48-00k Art. No. 261446



- An extensive portfolio for a wide variety of solenoid valves
- Slim design saves space – just 12.5 mm wide
- For use up to SIL 3 (IEC/EN 61508)

MY R. STAHL 9276A



The Series 9276 binary outputs transmit signals for the intrinsically safe operation of Ex i solenoid valves, indicator lamps and horns. The devices do not require a separate auxiliary power supply as they are powered by the control circuit. The intrinsically safe outputs are galvanically separated from the inputs.

Technical Data

Explosion Protection

Application range (zones)	2
Ex interface zone	0 1 2 20 21 22
IECEX gas certificate	IECEX IBE 17.0045X
IECEX gas explosion protection	Ex nA [ia Ga] IIC T4 Gc
IECEX dust certificate	IECEX IBE 17.0045X
IECEX dust explosion protection	[Ex ia Da] IIIC
ATEX gas certificate	IBExU 17 ATEX 1153 X
ATEX gas explosion protection	⊕ II 3 (1) G Ex nA [ia Ga] IIC T4 Gc
ATEX dust certificate	IBExU 17 ATEX 1153 X
ATEX dust explosion protection	⊕ II (1) D [Ex ia Da] IIIC
cULus certificate	E81680
Marking cULus	Class I, Div. 2, Groups A,B,C,D; Class I, Zone 2, AEx/Ex nA Group IIC AIS Class I,II,III, Div. 1, Groups A,B,C,D,E,F,G; Class I, Zone 0, [AEx ia]/[Ex ia] IIC T4 any mounting pos. Ta = 60°C See Doc. 9276 6 031 001 3
Certificates	ATEX (IBE), Canada (UL), China (CQM), IECEX (IBE), SIL (exida), USA (UL)
Ship approval	DNV
Declaration of Conformity	ATEX (EUK), China (CCC)

Safety Data

Max. voltage U_o	27.7 V
Max. current I_o (Ex ia)	101 mA

Safety Data

Max. power P_o	697 mW					
Max. permissible external capacity C_o for I	2.2 μ F					
Max. permissible external inductance L_o for I	35 mH					
Max. permissible external capacity C_o for IIC	0.085 μ F					
Max. permissible external capacity C_o for IIB	0.663 μ F					
Max. permissible external capa. IIA	2.2 μ F					
Max. permissible external inductance L_o for IIC	4 mH					
Max. permissible external inductance L_o for IIB	17 mH					
Max. permissible external inductance L_o for IIA	35 mH					
Internal capacitance	Negligible					
Internal inductance	Negligible					
Safety-related max. voltage	253 V AC					
Intrinsically safe limiting values inductance L_o /capacitance C_o	Jointly connectable inductance L_o /capacitance C_o					
IIC	L_o [mH]	20 mH	10 mH	5.000 mH	1 mH	0.100 mH
	C_o [μ F]	0.068 μ F	0.068 μ F	0.068 μ F	0.079 μ F	0.108 μ F
IIB	L_o [mH]	10 mH	5 mH	1 mH	0.100 mH	
	C_o [μ F]	0.250 μ F				
IIA	L_o [mH]	20.000 mH	5.000 mH	1.000 mH	0.100 mH	
	C_o [μ F]	0.440 μ F	0.440 μ F	0.680 μ F	0.960 μ F	
IIIC	L_o [mH]	10.000 mH	5.000 mH	1.000 mH	0.100 mH	
	C_o [μ F]	0.250 μ F	0.250 μ F	0.350 μ F	0.663 μ F	
I	L_o [mH]	20.000 mH	5.000 mH	1.000 mH	0.100 mH	
	C_o [μ F]	0.440 μ F	0.440 μ F	0.680 μ F	0.960 μ F	

Functional Safety

SIL	3
HFT	0
SFF	100%
Lambda SD	0 FIT
Lambda SU	50 FIT
Lambda DD	0 FIT
Lambda DU	0 FIT

Electrical Data

Number of channels	1
--------------------	---

Auxiliary Power

Auxiliary power	without
Max. power dissipation	1.41 W

Isolators

Digital output loop powered

Ex i field circuit

9276/10-24-48-00k Art. No. 261446



Auxiliary Power

Polarity reversal protection	Yes
------------------------------	-----

Galvanic Isolation

Test voltage as per standard	IEC EN 60079-11
Galvanic separation Ex i output to input	375 V AC peak value

Input

Input voltage for ON	15 – 30 V
Input voltage for OFF	0 – 5 V

Output

Output open-circuit voltage U_a	24 V
Max. output current $I_{a\max}$	48 mA
Output internal resistance R_i	275.5 Ω
Switching delay ON/OFF	≤ 20 ms
Switching delay OFF/ON	≤ 20 ms
Response time output	20 ms
Switching state indication	Yellow "STAT" LED

Ambient Conditions

Ambient temperature	-40 °C ... +60 °C
Ambient temperature	-4 °F ... +140 °F
Storage temperature	-40 °C ... +80 °C
Storage temperature	-40 °F ... +176 °F
Maximum relative humidity	10 to 95%
Use at the height of	< 2000 m
Electromagnetic compatibility	EN 61326-1 For use in industrial areas Immunity according to EN 61000-6-2 Interference radiation according to EN 61000-6-4

Mechanical Data

Degree of protection (IP)	IP30
Degree of protection (IP) terminals	IP20
Fire resistance (UL 94)	V0
Enclosure material	Polyamide
Grid dimension	12.5 mm
Width	12.5 mm
Width, inches	0.49 in
Height	114.5 mm
Height, inches	4.51 in
Length	116 mm
Length, inches	4.57 in
Weight	165 g
Weight	0.36 lb

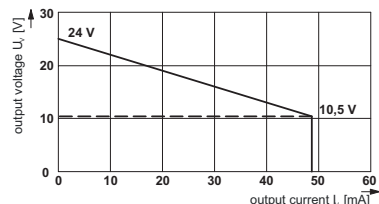
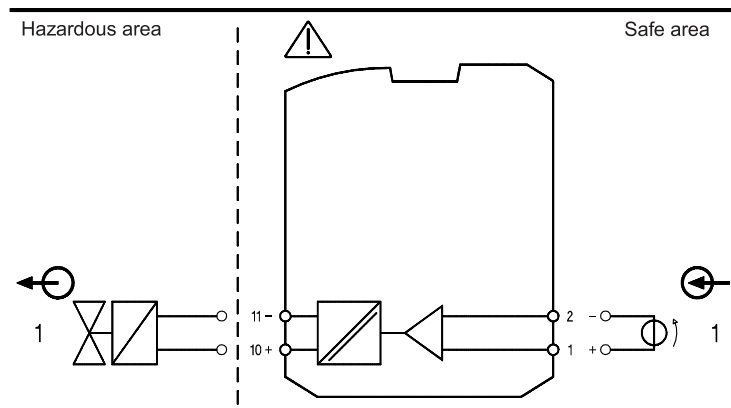
Mounting / Installation

Mounting type	DIN rail NS35/15, NS35/7.5
Mounting orientation	Vertical Horizontal
Connection type	Spring clamp terminal
Min. rigid conductor cross section	0.2 mm ²

Mounting / Installation

Max. rigid conductor cross section	1.5 mm ²
Min. flex conductor cross section	0.2 mm ²
Max. flex conductor cross section	1.5 mm ²
Connection cross-section AWG	24 – 14

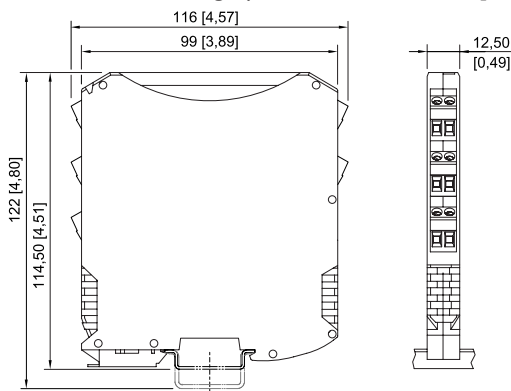
Technical Drawings – Subject to Alterations



Output characteristic curve 9276/10-24-48-00

9276/10-21-25-00 connection diagram

Dimensional Drawings (All Dimensions in mm [inches]) – Subject to Alterations



ISpac Series 9260, 9270, 9275, 9276, 9282 with spring clamp terminal

Accessories

Supply module

		Art. No.
	Redundant supply of 24 V DC auxiliary power (with fuse) and reading out the collective error message from Series 92xx ISpac modules which support this function. Screw terminal connection	268183
	Redundant supply of 24 V DC auxiliary power (with fuse) and reading out the collective error message from Series 92xx ISpac modules which support this function. Spring clamp terminal connection	268184

pac-Bus

		Art. No.
	Wiring auxiliary power and collective error message	262928

Isolators

Digital output loop powered

Ex i field circuit

9276/10-24-48-00k Art. No. 261446



We reserve the right to make alterations to the technical data, dimensions, weights, designs and products available without notice. The illustrations cannot be considered binding.