

Installation Equipment

Ex d cabinet/empty enclosure EXpressure



8280/.-41-2.11-1 Art. No. 263859



- Cost savings thanks to low weight and small installation area
- Easily adapted should there be any changes to an order
- More installation space thanks to a large installation volume
- Compact and flexible machinery and system design
- More control functions available
- Shorter planning and project turnaround times
- Low operating and maintenance costs
- Higher system availability and increased productivity

WebCode 8280A



The new EXpressure technology safely dissipates explosion pressure in cabinets, control boxes and other enclosures via flow channels. As a result, the lightweight and compact EXpressure enclosure, manufactured in accordance with industrial cabinet dimensions with a control panel made from industrial components, can be positioned as close as possible to the process for zones 1 and 2.

Technical Data

Explosion Protection

Application range (zones)	1 2
IECEX gas certificate	8280/0: 8280/5:
IECEX gas explosion protection	8280/0: Ex db sb IIB Gb 8280/5: Ex db eb ia [ia Ga] ib [ib Gb] mb op pr [op is] sb IIB T5...T3 Gb
ATEX gas certificate	8280/0: 8280/5:
ATEX gas explosion protection	8280/0: II 2 G Ex db sb IIB Gb 8280/5: II 2 G Ex db eb ia [ia Ga] ib [ib Gb] mb op pr [op is] IIB T5...T3 Gb
Certificates	ATEX (BVS), ATEX (PTB), IECEx (BVS), IECEx (PTB)

Electrical Data

Rated operational voltage AC	11 kV
Rated operational current	1250 A (T3)
Power dissipation Ta 40° C	T3 = 1150 W T4 = 350 W T5 = 60 W
Power dissipation Ta 50° C	T4 = 250 W T3 = 1030 W T5 = n/a
Power dissipation Ta 60° C	T4 = 160 W T3 = 850 W T5 = n/a

Ambient Conditions

Ambient temperature Ta	-40 °C ≤ Ta ≤ +60 °C
------------------------	----------------------

Mechanical Data

Degree of protection (IP)	IP66
External protective conductor connection	M10

8280/.-41-2.11-1 Art. No. 263859

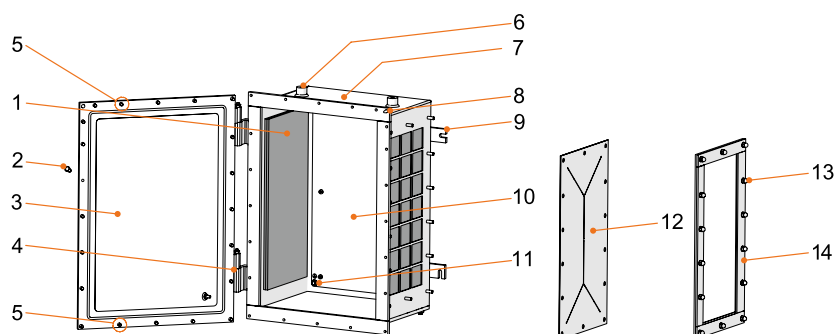
Mechanical Data

Cover seal	Silicone
Size of cover screw 1	M8
Ring bolt for cover	M10
Ring bolt for enclosure	M12
Material	Stainless steel
Cover mounting	Screws
Protective conductor connection size	M6
Protective conductor connection labelling	Internal/external on enclosure
Cover thickness	10 mm
Inner dimensions (WxHxD)	600 x 800 x 400 mm
Mounting depth with base plate	386 mm
Hinge	with
volume	192 dm ³
Weight	153 kg
Weight	337.31 lb

Mounting / Installation

Tightening torque of cover screw 1	22 Nm
------------------------------------	-------

Technical Drawings – Subject to Alterations



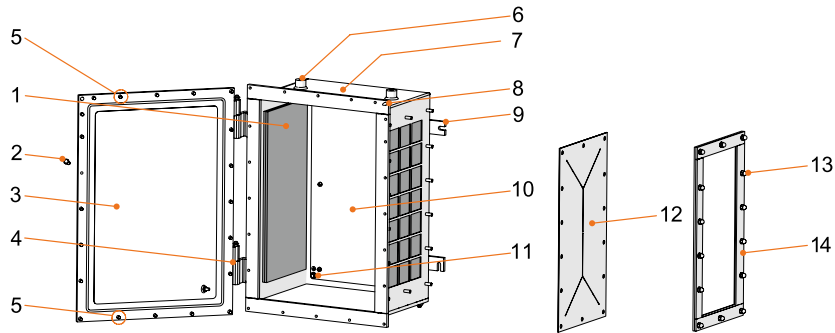
- 1 = Grid
- 2 = Cover screw
- 3 = Enclosure cover
- 4 = Hinge
- 5 = Mounting point for retaining lug
- 6 = Mounting point for transport lug
- 7 = Enclosure
- 8 = Positioning pin
- 9 = Fastening clip
- 10 = Base plate
- 11 = Inner earth connection for base plate
- 12 = Rupture disk
- 13 = Cap nut
- 14 = Frame

Installation Equipment

Ex d cabinet/empty enclosure EXpressure

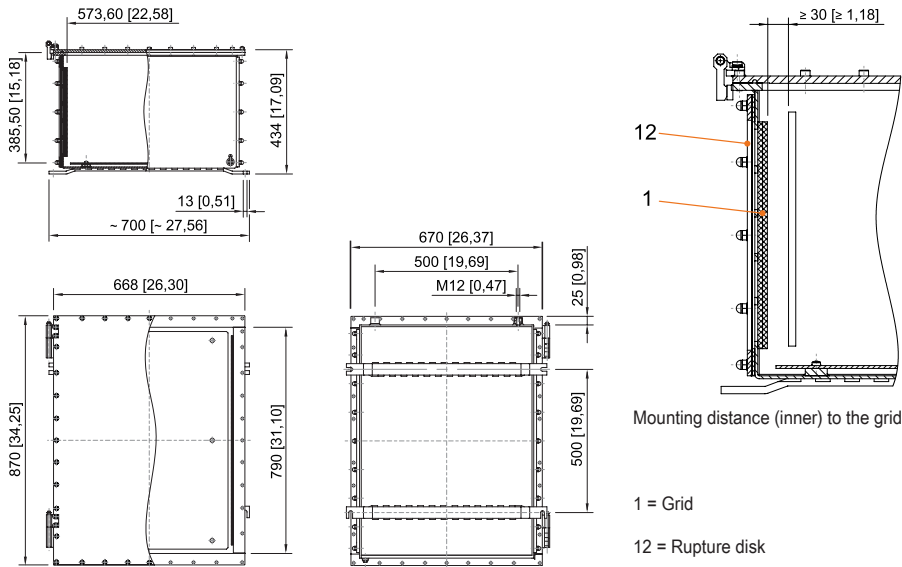


8280/.-41-2.11-1 Art. No. 263859



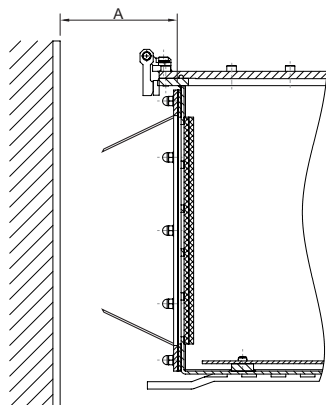
- 1 = Grid
- 2 = Cover screw
- 3 = Enclosure cover
- 4 = Hinge
- 5 = Mounting point for retaining lug
- 6 = Mounting point for transport lug
- 7 = Enclosure
- 8 = Positioning pin
- 9 = Fastening clip
- 10 = Base plate
- 11 = Inner earth connection for base plate
- 12 = Rupture disk
- 13 = Cap nut
- 14 = Frame

Dimensional Drawings (All Dimensions in mm [inches]) – Subject to Alterations




Enclosure size 41

8280/.-41-2.11-1 Art. No. 263859



A = Mounting distance (outer) to other fixed objects
 Enclosure size 20: A = 134 mm [5.28]
 Enclosure size 31: A = 100 mm [3.94]
 Enclosure size 41: A = 162 mm [6.38]
 Enclosure size 62: A = 300 mm [11.81]

Accessories

Retaining / transport lugs (contains 2 pieces)		Art. No.
	M10, stainless steel, thread length = 8 mm, for cover size 20, 31, 41 Packaging unit: 2 pieces	268425
	M12, stainless steel, thread length = 20.5 mm, for enclosure size 31, 41 Packaging unit: 2 pieces	268670

We reserve the right to make alterations to the technical data, dimensions, weights, designs and products available without notice. The illustrations cannot be considered binding.