

# Control and signalling devices

## LED indicator lamp for panel mounting



8013/321-al Art. No. 269659



- Beneficial LED technology: Extremely long service life, high luminance, low heat build-up
- For installation in enclosure wall, enclosure cover, panels or control cabinets
- Versions with spring clamp terminal with connection chamber or versions with prefabricated connection cable and connection chamber are available

MY R. STAHL 8013B



R. STAHL Series 8013 LED indicator lamps show command statuses via a light signal, the colour of which can be determined using the colour filter included in the delivery: Red, yellow, green, blue or white. The long-lasting LED ensures high luminance and low heat build-up. Versions with spring clamp terminal and versions with prefabricated connection cable and connection chamber are available.

### Technical Data

#### Explosion Protection

Scope of validity	Russian Federation European Union (ATEX) IECEX
Application range (zones)	1 2 21 22
IECEX gas certificate	IECEX PTB 07.0010 X
IECEX gas explosion protection	Ex db mb ia IIC T6 Gb
IECEX dust certificate	IECEX PTB 07.0010 X
IECEX dust explosion protection	Ex tb IIIC T80 °C Db
ATEX gas certificate	PTB 02 ATEX 2131 X
ATEX gas explosion protection	⊕ II 2 G Ex db mb ia IIC T6 Gb
ATEX dust certificate	PTB 02 ATEX 2131 X
ATEX dust explosion protection	⊕ II 2 D Ex tb IIIC T80 °C Db
Certificates	ATEX (PTB), China (CQST), IECEX (PTB)
Declaration of Conformity	ATEX (EUK), China (CCC)
Notes	Product label may vary. Series devices are labelled with ATEX and IECEX.

#### Safety Data

Max. capacitance $C_i$	Negligible
Max. inductance $L_i$	Negligible
Max. voltage $U_i$	28 V
Max. current $I_i$	150 mA
Max. power $P_i$	1 W

#### Electrical Data

Rated operational voltage AC	10.8 – 28 V
Rated operational voltage DC	10.8 ... 28 V

# Control and signalling devices

## LED indicator lamp for panel mounting



8013/321-al Art. No. 269659

### Electrical Data

Rated operational current	12 mA
Frequency	0 to 60 Hz
Rated operational power	0.6 W
Electrical service life	10 <sup>5</sup> lighting hours

### Lighting Data

Lamp	White LED
Luminous colour	Blue Green Red White Yellow

### Ambient Conditions

Ambient temperature	-30 °C ... +60 °C
Ambient temperature	-22 °F ... +140 °F

### Mechanical Data

Version	With connection chamber
Degree of protection (IP) (IEC 60529)	Reverse side IP65, front side IP66
Enclosure material	Polyamide
Silicone-free	Yes
Connection cross-section	0.75 ... 1.5 mm <sup>2</sup>
Connection cross-section AWG	18 AWG ... 12 AWG
Packaging unit	1
Weight	100 g
Weight	0.221 lb

### Mounting / Installation

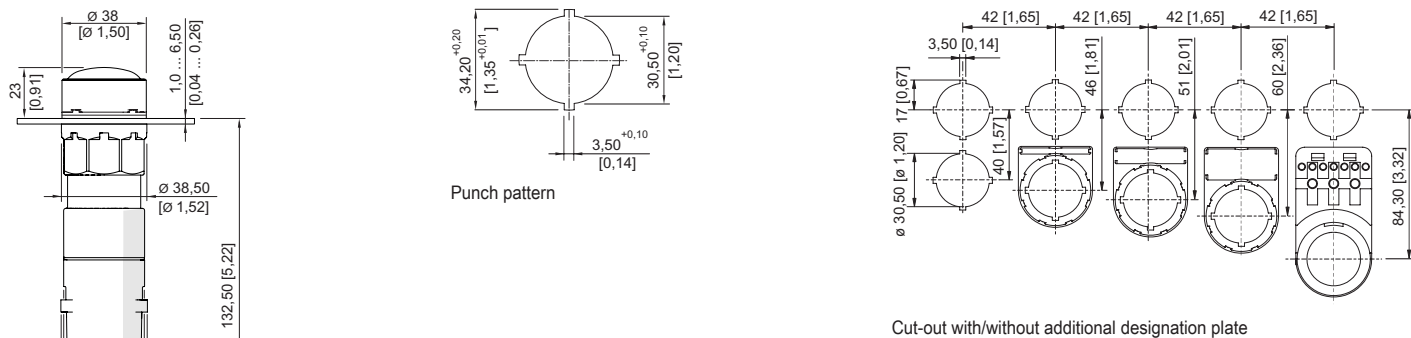
Tightening torque	1.2 Nm
Tightening torque lbf in	10.62 lbf in
Connection	Spring terminal connection

### Components

Entry 1	1 x 8161/8-M16-0902
Entry 1 type	Polyamide cable gland, blue
Entry 1	M16 x 1.5
Entry 1 terminal area	2 – 9 mm
Entry 1 clamping range, inch	0.08 – 0.35 in

8013/321-al Art. No. 269659

**Dimensional Drawings (All Dimensions in mm [inches]) – Subject to Alterations**



8013/3.1, 8013/3.3 indicator lamp with connection chamber

### Spare Parts




Lens		Art. No.
	red	155842
	yellow	155834
	green	155852
	blue	155860
	white	155824
Closing part		Art. No.
	8602C3-733-B for closing unused holes in cover, dia. 30.5 mm, NBR	244306
	8602C3-733-S for closing unused holes in cover, dia. 30.5 mm, silicone	244307
Insert discs for label holder		Art. No.
	One-line Plain Material: PVC Colour: White Self-adhesive	238271
	Two-line Plain Material: PVC Colour: White Self-adhesive	238272
	Three-line Plain Material: PVC Colour: White Self-adhesive	238273

# Control and signalling devices

## LED indicator lamp for panel mounting



8013/321-al Art. No. 269659

Label holder	Art. No.	
 A small, U-shaped metal label holder with a flat top edge.	Label holder, size 1, without insert disc Labelling: 1-line can be installed in dia. 30.5 mm drilled holes for actuators	155632
 A medium-sized, U-shaped metal label holder with a flat top edge.	Label holder, size 2, without insert disc Labelling: 1- or 2-line can be installed in dia. 30.5 mm drilled holes for actuators	155687
 A large, U-shaped metal label holder with a flat top edge.	Label holder, size 3, without insert disc Labelling: 1-, 2- or 3-line can be installed in dia. 30.5 mm drilled holes for actuators	155844

We reserve the right to make alterations to the technical data, dimensions, weights, designs and products available without notice. The illustrations cannot be considered binding.