

IC-930-AFZ-I30P00S2C10V2W01M00 Art. No. 271550



- Universally applicable Full HD IP camera with low-light technology, day / night - functionality
- Crystal-clear images in all safe, industrial areas
- Ensuring optimum control options with clearly visible people and processes
- Plug & play installation
- Power over Ethernet operation (PoE+)
- Electropolished stainless steel (SS316L) enclosure

MY R. STAHL IC930AFZA



As a universally applicable Full HD IP camera with low-light technology, the IC-930 provides crystal-clear images in all safe, industrial areas - from food factories and pharmaceutical or chemical factories to ships and piers. The enclosure consists of AISI316L stainless steel. The high degree of light sensitivity and the camera's day / night mode ensure brilliant images even in bad, low light. This ensures optimum control options with clearly visible people and processes. Even the 30x zoom still provides optimum images and video streams with a frame rate of 60 images per second. The camera can be operated in temperatures ranging from -40 °C to +65 °C and has IP66 / IP67 / IP68 as well as IP69. As a standard, the camera is supplied with supports for wall, ceiling and parapet mounting and with a sunshield. Another version is available with a wiper and an optional water tank.

Technical Data

| Electrical Data | |
|--------------------------------------|---|
| Rated operational voltage AC | 24 V |
| Rated operational voltage DC | 24 V |
| Rated operational current AC | 1.32 A |
| Rated operational current for DC | 0.9 A |
| Interfaces | PoE+ (IEEE802.3at) |
| Connection | Ethernet LAN 100Base-TX, RJ45 |
| I/O alarm | 1x input remote reset |
| I/O relay | 2x relay output |
| Camera Data | |
| Sensor | 1/2.8 CMOS |
| Lens | f = 4.5 (w) to 135 mm (t) From F1.6 to F9.6 |
| Viewing angle | 61.6° (wide), 2.5° (tele.) |
| Focus | Auto, manual, trigger |
| Zoom | 30x optical |
| Resolution | Full HD 1080p 1920x1080 pixels |
| Pixel | Approx. 2.38 megapixels |
| Minimum illumination B/W (ICR-ON) | 0.0006 lx, F1.6, 30 IRE |
| Minimum illumination color (ICR-OFF) | 0.0060 lx F1.6, 30 IRE |
| Number of streams | 3 independent video streams Full HD |
| Frame rate (fps) | 1 to 60 frames per second |
| Electronic shutter | 1/1 to 1/10,000s |

IC-930-AFZ-I30P00S2C10V2W01M00 Art. No. 271550

Camera Data

| | |
|---------------------|---------------------------|
| Compression | H.264, MJPEG, JPEG, MPEG4 |
| De-fog | On/Off |
| WDR (dynamic range) | 120 dB |
| White balance | Auto, manual |
| Motion detection | Yes |
| Web server | Yes |

Software

| | |
|-----------------------|---|
| Network protocol | ONVIF profiles Q,S,T |
| Network Configuration | TCP/IPv4-IPv6, UDP/IPv4-IPv6, HTTP, HTTPS, NTP, DHCP, WS-DISCOVERY, DSCP, IGMP (Multicast), SOAP, DNS |
| Streaming | RTSP, RTCP, RTP/IPv4, HTTP Multicast |

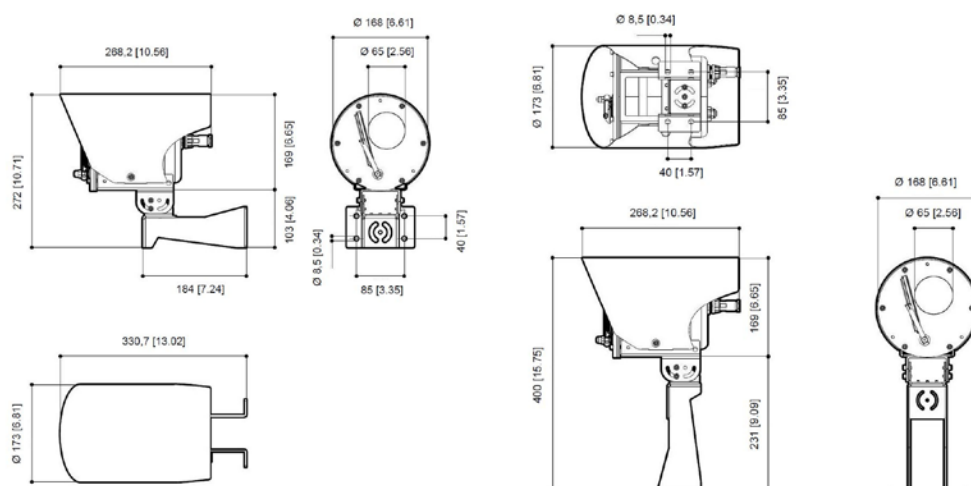
Ambient Conditions

| | |
|---------------------|---------------------------------------|
| Ambient temperature | -40 °C ... +65 °C At PoE+ max. +60 °C |
|---------------------|---------------------------------------|

Mechanical Data

| | |
|---------------------------|------------------------|
| Version | Fixed viewing angle |
| Degree of protection (IP) | IP66, 67, 68, 69 |
| Enclosure material | Stainless steel 1.4404 |
| Surface treatment | Electropolished |
| Cable length | 0 m |
| Integrated wiper | Yes |
| Package weight | 6.2 kg |
| Package dimensions | 360 x 350 x 230 mm |
| Weight | 4 kg |
| Weight | 8.82 lb |

Dimensional Drawings (All Dimensions in mm [inches]) – Subject to Alterations



We reserve the right to make alterations to the technical data, dimensions, weights, designs and products available without notice. The illustrations cannot be considered binding.