



- Compact Ex i frequency transmitter for monitoring rotational speed in hazardous areas
- Limit value analysis + frequency-current conversion + pulse divider function over a width of just 17.6 mm
- Parameterization made easy by "ISpac Wizard" software

07 b

## MY R. STAHL 9146A



9146 series Ex i- frequency transmitters monitor the speed of rotating parts on one or two channels, e.g. the speed of fans or centrifuges. The frequency measured at the intrinsically safe input (between 0.001 Hz and 20 kHz) is issued as a unit signal (0/4 mA to 20 mA) or processed by a frequency divider. In single-channel devices, these frequency transmitters check whether speeds have exceeded or fallen below the limit values.

	NEC® 500 CE Code Appendix J					
	Class I		Class II		Class III	
Division	1	2	1	2	1	2
Ex interface	•	•	•	•	•	•
Installation in		•				

	CE Code Section 18					
	NEC® 505 Class I			NEC® 506		
Zone	0	1	2	20	21	22
Ex interface	•	•	•			
Installation in			•			

	IECEX / ATEX					
	Zone	0	1	2	20	21
Ex interface	•	•	•	•	•	•
Installation in			•			

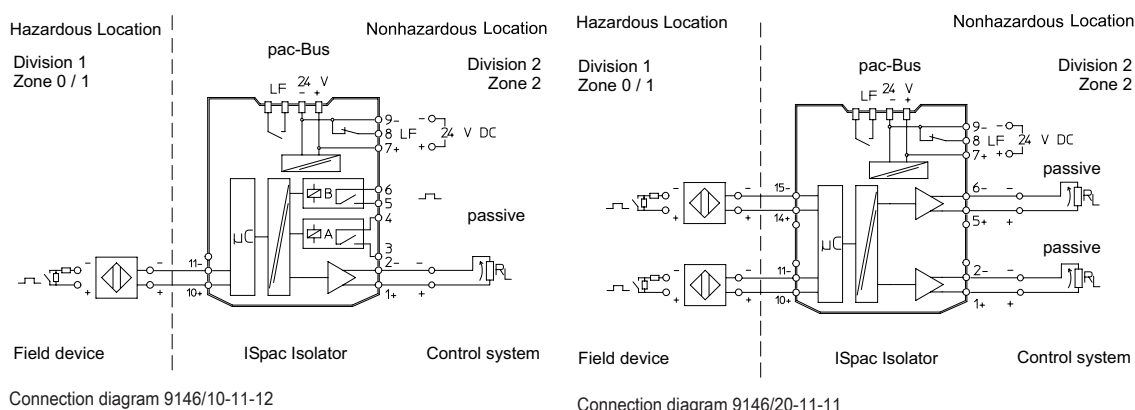
Selection Table						
Number of channels	1					
Output signal	Limit contact (per channel)	Pulse output	Connection type	Product Type	Art. No.	Weight
0/4 to 20 mA	2 NO/NC	One configurable NO	Screw terminal	<b>9146/10-11-12s</b>	159883 ▲	125 g
	2 NO/NC	One configurable NO	Spring clamp terminal	<b>9146/10-11-12k</b>	159884	125 g
Number of channels	2					
Output signal	Limit contact (per channel)	Pulse output	Connection type	Product Type	Art. No.	Weight
0/4 to 20 mA	without	without	Screw terminal	<b>9146/20-11-11s</b>	159886	135 g
	without	without	Spring clamp terminal	<b>9146/20-11-11k</b>	159887	135 g



Parameterisation ex works optionally available for all variants. Art. No. 270534

Technical Data		
Variant	Number of channels 1	Number of channels 2
Explosion Protection		
FMus certificate	FM16US0122X	FM16US0122X
cFM certificate	FM16CA0067X	FM16CA0067X
Marking cFMus	Class I, Div. 2, Groups A,B,C,D; Class I, Zone 2, AEx/Ex nA nC Group IIC AIS Class I,II,III, Div. 1, Groups A,B,C,D,E,F,G; Class I, Zone 0, [AEx ia]/[Ex ia] IIC T4 at Ta = 70°C See Doc. 9146 6 031 001 1	Class I, Div. 2, Groups A,B,C,D; Class I, Zone 2, AEx/Ex nA nC Group IIC AIS Class I,II,III, Div. 1, Groups A,B,C,D,E,F,G; Class I, Zone 0, [AEx ia]/[Ex ia] IIC T4 at Ta = 70°C See Doc. 9146 6 031 001 1
IECEX gas explosion protection	Ex ec nC [ja Ga] IIC T4 Gc	Ex ec nC [ja Ga] IIC T4 Gc
IECEX dust explosion protection	[Ex ia Da] IIIC	[Ex ia Da] IIIC

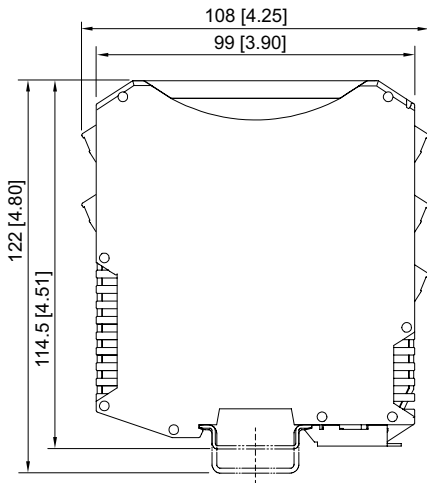
**Technical Data**

Variant	Number of channels 1	Number of channels 2
<b>Explosion Protection</b>		
IECEx fireamp protection	[Ex ia Ma] I	[Ex ia Ma] I
Certificates	ATEX (BVS), Canada (FM), IECEx (BVS), India (PESO), USA (FM)	ATEX (BVS), Canada (FM), IECEx (BVS), India (PESO), USA (FM)
Ship approval	CCS, EU RO MR (DNV)	CCS, EU RO MR (DNV)
<b>Safety Data</b>		
Max. voltage $U_i/V_{oc}$	10.5 V	10.5 V
Max. current $I_i/I_{sc}$	23.4 mA	23.4 mA
Max. power $P_o$	61.4 mW	61.4 mW
Safety-related max. voltage	253 V	253 V
<b>Auxiliary Power</b>		
Auxiliary power	24 V DC	24 V DC
Nominal current	55 mA	75 mA
<b>Input</b>		
Input signal	As per EN 60947-5-6 (NAMUR)	As per EN 60947-5-6 (NAMUR)
Input frequency	0.0010 – 20000 Hz	0.0010 – 20000 Hz
Line fault and loss of power signalization	Contact (30 V / 100 mA) closed to ground in case of fault pac-Bus, floating contact (30 V / 100 mA)	Contact (30 V / 100 mA) closed to ground in case of fault pac-Bus, floating contact (30 V / 100 mA)
<b>Ambient Conditions</b>		
Ambient temperature °F	-40 °F ... +158 °F (Single device) -40 °F ... +140 °F (Group assembly)	-40 °F ... +158 °F (Single device) -40 °F ... +140 °F (Group assembly)
Ambient temperature °C	-40 °C ... +70 °C (Single device) -40 °C ... +60 °C (Group assembly)	-40 °C ... +70 °C (Single device) -40 °C ... +60 °C (Group assembly)
Storage temperature °F	-40 °F ... +176 °F	-40 °F ... +176 °F
Storage temperature °C	-40 °C ... +80 °C	-40 °C ... +80 °C
<b>Mounting / Installation</b>		
Mounting type	DIN rail NS35/15, NS35/7.5	DIN rail NS35/15, NS35/7.5

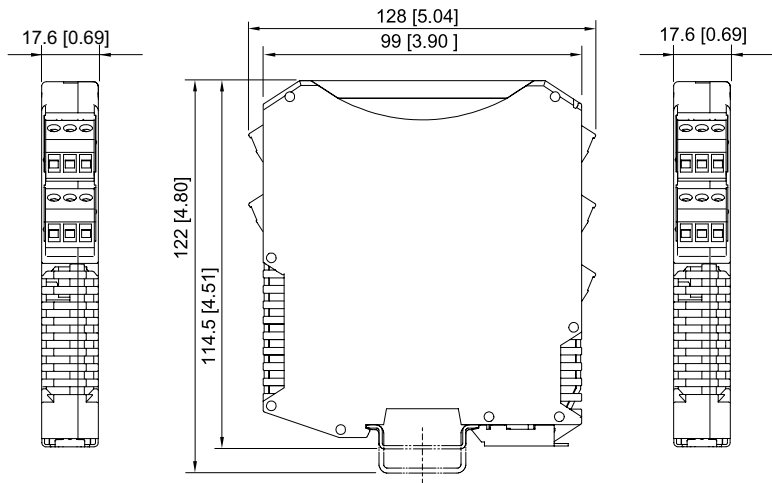
**Technical Drawings – Subject to Alterations**


Accessories			
Figure	Description	Art. No.	Weight
Parameterization set ISpac - Wizard			
	The software serves for commissioning, configuring and diagnosing the ISpac isolators Series 9146, 9162, 9182 and 9282. For further information, see operating instructions. Form of delivery: USB stick; parameterization software incl. parameterization cable / adaptor System requirements: IBM compatible PC with MS XP, Vista, Windows 7, 10 RS 232 C interface RS 232 / USB adaptor	202595 ▲	235 g
Resistive coupling element			
	Additional connection of contacts also in hazardous areas to enable short-circuit and wire breakage detection	105944	10 g

**Dimensional Drawings (All Dimensions in mm [inches]) – Subject to Alterations**



ISpac Series 9143, 9146, 9147, 9160, 9162, 9163, 9165, 9167, 9170, 9172, 9175, 9176, 9180, 9182, 9193, ISbus Series 9412 with screw terminal



ISpac Series 9146, 9147, 9160, 9162, 9163, 9165, 9167, 9170, 9172, 9175, 9176, 9180, 9182, 9193, Fieldbus Power Supply Series 9412 with spring clamp terminal