



- For intrinsically safe IS1+ system supply
- For up to eight IS1+ I/O modules and connected field devices
- Power module in Zone 1, Cl. I, Div. 1 can be hot swapped
- Use together with 9441/12 CPU and 9492/12 socket

06 b

WebCode **9444A**



The series 9444/12 power module supplies up to eight IS1+ I/O modules, including the connected field circuits, with intrinsically safe energy. A 24 V DC external power supply is required. The power module can be replaced while the system is in operation and without having to disconnect the power supply (i.e. hot swapped).

	NEC® 500 CE Code Appendix J					
	Class I		Class II		Class III	
Division	1	2	1	2	1	2
Ex interface	•	•	•	•	•	•
Installation in	•	•				






	CE Code Section 18					
	NEC® 505 Class I			NEC® 506		
Zone	0	1	2	20	21	22
Ex interface	•	•	•			
Installation in		•	•			

	IECEX / ATEX					
	Zone	0	1	2	20	21
Ex interface	•	•	•	•	•	•
Installation in		•	•			

Selection Table				
Installation	Zone 1 / Cl. I, II, Div. 1			
Nominal voltage $V_{nom}$	Product Type	Art. No.	Weight	
24 V DC	<b>9444/12-11</b>	166178 ▲	2.41 kg	
Please order the 9441/12 CPU and 9492/12; 9492/13 base (see accessories) separately.				

Technical Data	
Explosion Protection	
FMus certificate	FM17US0332X
cFM certificate	FM16CA0134X
Marking cFMus	XP, Class I, Div. 1, Groups A,B,C,D; Class I, Zone 1, IIC AIS Class I,II,III, Div. 1, Groups A,B,C,D,E,F,G; Class I, Zone 0, [AEx ia]/[Ex ia] IIC T4 at Ta = 65 °C See Doc. 9441 6 031 001 1
IECEX gas explosion protection	Ex d e [ia Ga] IIC T4 Gb
IECEX dust explosion protection	[Ex ia Da] IIIC
Certificates	ATEX (DEK), Brazil (ULB), Canada (FM), IECEX (DEK), USA (FM)
Ship approval	ABS, BVIS, EU RO MR (DNV), KR, LR
Auxiliary Power	
Current consumption (without I/O modules)	0.36 A at 24 V DC
Current consumption (8 I/O modules)	Approx. 2.6 A at 24 V DC
Power dissipation (without I/O modules)	8.6 W

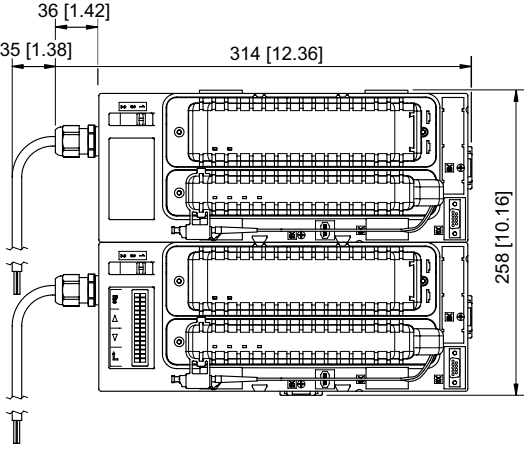
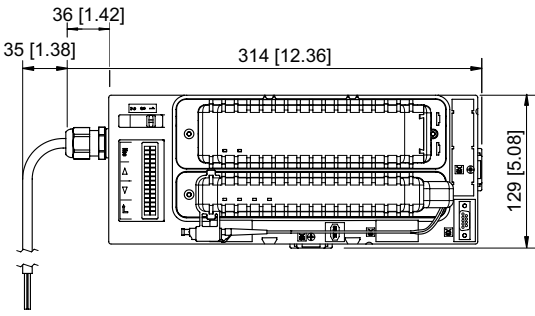
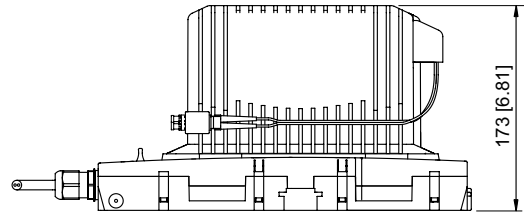
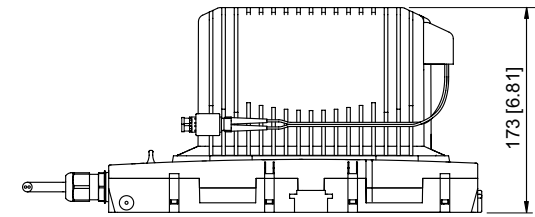
Technical Data	
Auxiliary Power	
Power dissipation (with 8 I/O modules)	14 W
Ambient Conditions	
Ambient temperature °F	-4°F ... +149°F
Ambient temperature °C	-20°C ... +65°C
Storage temperature °F	-40°F ... +158°F
Storage temperature °C	-40°C ... +70°C
Mechanical Data	
Degree of protection (IP) (IEC 60529)	IP30

Accessories				
Figure	Description	Product Type	Art. No.	Weight
Series 9492/13 - Socket for CPU and Power Module				
	Division 1 Fieldbus: Modbus TCP, simplex 24 V DC	9492/13-13-11	202098 ▲	1.4 kg
	Division 1 Fieldbus: Modbus TCP, redundant 24 V DC	9492/13-13-12	202099	2.8 kg
	Division 1 Fieldbus: PROFINET, simplex 24 V DC	9492/13-13-31	208875 ▲	1.4 kg
	Division 1 Fieldbus: EtherNet/IP™, simplex 24 V DC	9492/13-13-41	208876 ▲	1.4 kg
Series 9492/12 socket for CPU & power module				
	Zone 1 Fieldbus: Modbus TCP, simplex 24 V DC	9492/12-11-11	166176	1.1 kg
	Zone 1 Fieldbus: PROFINET, simplex 24 V DC	9492/12-11-31	166321	1.1 kg
	Zone 1 Fieldbus: EtherNet/IP™, simplex 24 V DC	9492/12-11-41	166322	1.1 kg
	Zone 1 Fieldbus: Modbus TCP, redundant 24 V DC	9492/12-11-12	166324	2.2 kg

9491/00-13-70 conduit hub is required and needs to be ordered separately  
 Accessories for Div. 1 installation on request

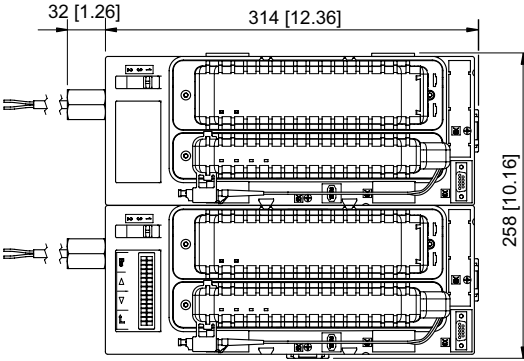
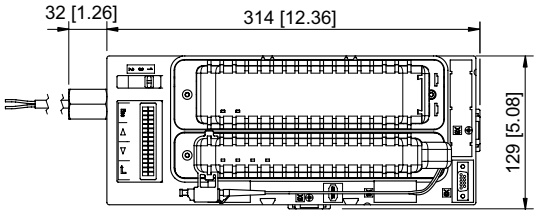
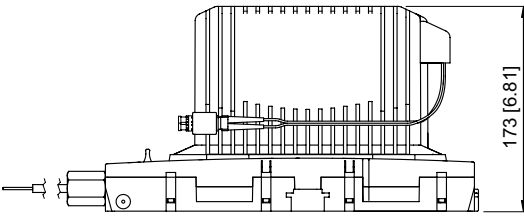
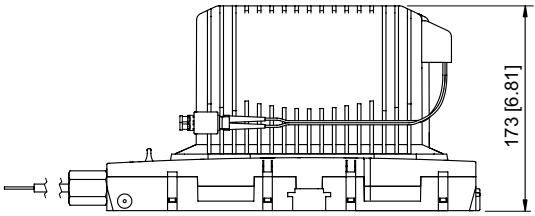
Dimensional Drawings (All Dimensions in mm [inches]) – Subject to Alterations

06 b



Ethernet CPU Module & Power Module with Socket for Zone 1

Ethernet CPU Module & Power Module with redundant Socket for Zone 1



Ethernet CPU Module & Power Module with Socket for Div. 1

Ethernet CPU Module & Power Module with redundant Socket for Div. 1