

- Six basic enclosure sizes, optional inspection windows
- International certification, wide temperature range, seawater-resistant light-metal enclosure
- Empty enclosure
- Custom entries available upon request
- For use in Class I, Div. 1 & 2

J

WebCode **8265K**



R. STAHL series 8265 are explosionproof and dust-ignitionproof empty enclosures globally certified. The large cover opening allows easier access for mounting and maintenance of components within the enclosure. The cover is also available with a window. R. STAHL can install various equipment in the enclosure including arc and sparking components according to customer requirements. Check with your R. STAHL representative to see if your specified equipment can be mounted in the enclosure.

	NEC® 500 CE Code Appendix J					
	Class I		Class II		Class III	
Division	1	2	1	2	1	2
Ex interface						
Installation in	•		•		•	

	CE Code Section 18					
	NEC® 505 Class I			NEC® 506		
Zone	0	1	2	20	21	22
Ex interface						
Installation in		•	•			

	IECEX / ATEX					
	Zone	0	1	2	20	21
Ex interface						
Installation in		•	•		•	•

Selection Table										
Version	Without entry									
Enclosure size	Cover	Width in inches	Width	Height, inches	Height	Length, inches	Length	Product Type	Art. No.	Weight
1	With inspection window	4.92 in	125 mm	5.2 in	132 mm	4.92 in	125 mm	8265/61-0020	211089 ▲	2.79 kg
	without window	4.92 in	125 mm	5.2 in	132 mm	4.92 in	125 mm	8265/61-0000	211114 ▲	2.77 kg
2	With inspection window	6.1 in	155 mm	5.2 in	132 mm	6.1 in	155 mm	8265/62-0020	165781 ▲	4 kg
	without window	6.1 in	155 mm	5.2 in	132 mm	6.1 in	155 mm	8265/62-0000	165778 ▲	3.85 kg
3	With inspection window	7.68 in	195 mm	6.77 in	172 mm	7.68 in	195 mm	8265/63-0020	165782 ▲	7 kg
	without window	7.68 in	195 mm	6.77 in	172 mm	7.68 in	195 mm	8265/63-0000	165779 ▲	6.58 kg
4	With inspection window	9.29 in	236 mm	8.94 in	227 mm	9.29 in	236 mm	8265/64-0020	165783 ▲	11 kg
	without window	9.29 in	236 mm	8.94 in	227 mm	9.29 in	236 mm	8265/64-0000	165780 ▲	10.6 kg
5	With inspection window	11.22 in	285 mm	9.06 in	230 mm	11.22 in	285 mm	8265/65-0020	211064 ▲	18.3 kg
	without window	11.22 in	285 mm	9.06 in	230 mm	11.22 in	285 mm	8265/65-0000	211128 ▲	18.3 kg
6	With inspection window	13.19 in	335 mm	11.06 in	281 mm	13.19 in	335 mm	8265/66-0020	202082 ▲	28 kg
	without window	13.19 in	335 mm	11.06 in	281 mm	13.19 in	335 mm	8265/66-0000	202091 ▲	27.8 kg

**Technical Data**

<b>Explosion Protection</b>	
Certificate ULus	E307783
Marking ULus	Class I, Div. 1, Groups A,B,C,D Class II,III, Div. 1, E, F, G Enclosure Type 3, 4, 4X Class I, Zone 1, Group IIC
Certificate cUL	E114097
Marking cUL	Class I, Div. 1, Groups A,B,C,D Class II,III, Div. 1, E, F, G Enclosure Type 3, 4, 4X Class I, Zone 1 Group IIC Group IIC
Marking Notes	also for installation in Class I, II & III, Div. 2
IECEX gas certificate	IECEX PTB 07.0027 U
IECEX gas explosion protection	Ex db eb IIC Gb
IECEX dust certificate	IECEX PTB 07.0027 U
IECEX dust explosion protection	Ex tb IIIC Db
ATEX gas certificate	PTB 06 ATEX 1023 U
ATEX gas explosion protection	Ⓜ II 2 G Ex db eb IIC Gb
ATEX dust certificate	PTB 06 ATEX 1023 U
ATEX dust explosion protection	Ⓜ II 2 D Ex tb IIIC Db
Certificates	ATEX (PTB), Canada (UL), IECEX (PTB), USA (UL)
Notes	Product label may vary. Additional certificates available upon request.
<b>Electrical Data</b>	
Notes	depending on the equipment and components used
<b>Ambient Conditions</b>	
Ambient temperature °F	-58°F ... +122°F
Ambient temperature °C	-50 °C ... +50 °C
<b>Mechanical Data</b>	
Degree of protection (IP)	IP54
Degree of protection note	IP66 with O-ring silicone
Enclosure type (NEMA250)	3, 4, 4X
Enclosure material	Aluminium, copper-free, Seawater-resistant

**Accessories**

Figure	Description	Product Type	Art. No.	Weight
<b>Threaded cover without window</b>				
	Enclosure: 8265/1-0000	-	208861	840 g
	Enclosure: 8265/2-0000	-	143468	1.43 kg
	Enclosure: 8265/3-0000	-	143470	2.03 kg
	Enclosure: 8265/4-0000	-	143472	3.14 kg
	Enclosure: 8265/5-0000	-	143474	4.9 kg
	Enclosure: 8265/6-0000	-	143476	8.78 kg

# Explosionproof & Dust-ignitionproof Enclosures

Series 8265 Threaded Enclosure  
NEC/CEC

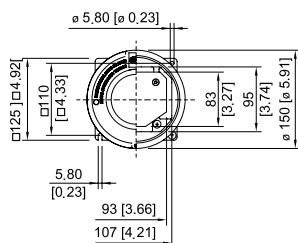
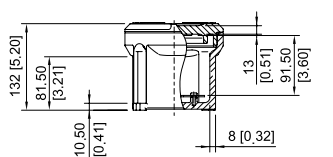


J

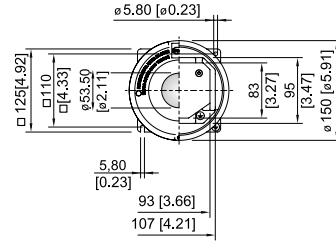
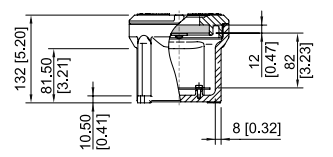
Accessories				
Figure	Description	Product Type	Art. No.	Weight
<b>Threaded cover with window</b>				
	Enclosure: 8265/61-0020 viewable diameter of the window Ø 56 mm [2.2 in]	-	211039	1 kg
	Enclosure: 8265/62-0020 viewable diameter of the window Ø 98 mm [3.86 in]	-	143454	2.63 kg
	Enclosure: 8265/63-0020 viewable diameter of the window Ø 136 mm [5.35 in]	-	143455	2.23 kg
	Enclosure: 8265/64-0020 viewable diameter of the window Ø 180 mm [7.08 in]	-	143456	3.86 kg
	Enclosure: 8265/65-0020 viewable diameter of the window Ø 188 mm [7.4 in]	-	211043	1 kg
	Enclosure: 8265/66-0020 viewable diameter of the window Ø 188 mm [7.4 in]	-	201890	1 kg
<b>Mounting rail</b>				
	G32 length: 133 mm [5.24 in] for enclosure size 3	8146	137939	20 g
	G32 length: 189 mm [7.44 in] for enclosure size 4	8146	137945	130 g
	G32 length: 280 mm [11.02 in] for enclosure size 6	8265	166450	200 g
	TS35 length: 80 mm [3.15 in] for enclosure size 1	8265	212424	27 g
	TS35 length: 105 mm [4.13 in] for enclosure size 2	8265	143498	37 g
	TS35 length: 133 mm [5.24 in] for enclosure size 3	8146	137970	40 g
	TS35 length: 189 mm [7.44 in] for enclosure size 4	8146	137976	60 g
	TS35 length: 218 mm [8.58 in] for enclosure size 5	8265	212426	33 g
	TS35 length: 280 mm [11.02 in] for enclosure size 6	8265	166449	100 g
	TS35 length: 280 mm [11.02 in] for enclosure size 6	8265	166448	100 g
	TS15 length: 80 mm [3.15 in] for enclosure size 1	8265	212425	13 g
	TS15 length: 105 mm [4.13 in] for enclosure size 2	8265	143497	18 g
	TS15 length: 133 mm [5.24 in] for enclosure size 3	8146	137902	20 g
	TS15 length: 189 mm [7.44 in] for enclosure size 4	8146	137908	29 g
	TS15 length: 218 mm [8.58 in] for enclosure size 5	8265	212427	30 g
	TS15 length: 280 mm [11.02 in] for enclosure size 6	8265	166448	49 g
	TS15 length: 280 mm [11.02 in] for enclosure size 6	8265	166448	49 g
<b>Set screw</b>				
	M5 x 16 mm, stainless steel Allen screw with point to secure the cover	-	110216	1 g
<b>Handle</b>				
	to open the enclosure cover for size 1, 2, 3, 4 2 handles are required	-	142059	60 g
	to open the enclosure cover for size 5, 6 2 handles are required	-	221927	214 g

**Spare Parts**

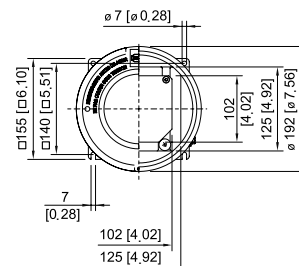
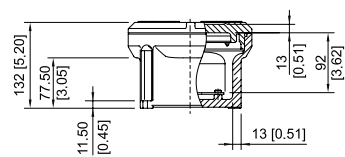
Figure	Description	Art. No.	Weight
<b>O-ring</b>			
	silicone, for enclosure size 1	305498	6 g
	silicone, for enclosure size 3	305500	10 g
	silicone, for enclosure size 4	305631	12 g
	silicone, for enclosure size 5	305632	20 g
	silicone, for enclosure size 6	305633	26 g

**Dimensional Drawings (All Dimensions in mm [inches]) – Subject to Alterations**


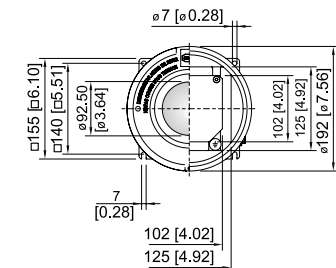
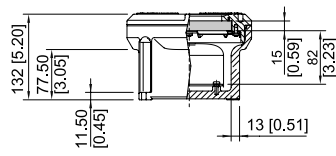
Enclosure size 1 without inspection window



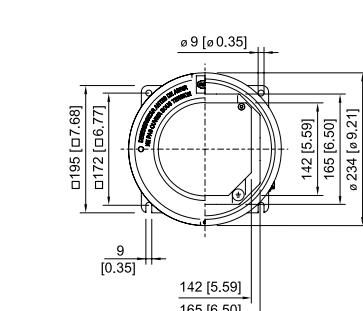
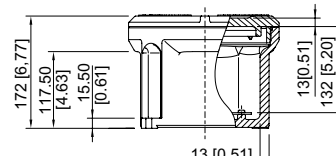
Enclosure size 1 with inspection window



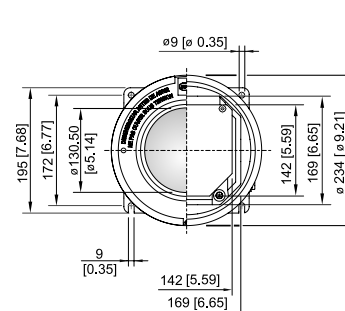
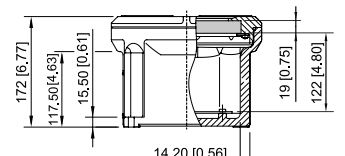
Enclosure size 2 without inspection window



Enclosure size 2 with inspection window



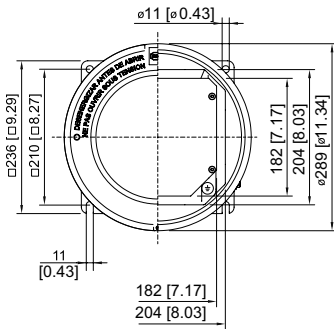
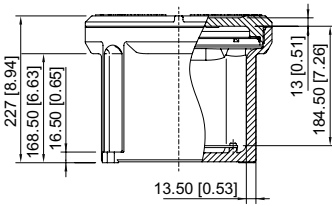
Enclosure size 3 without inspection window



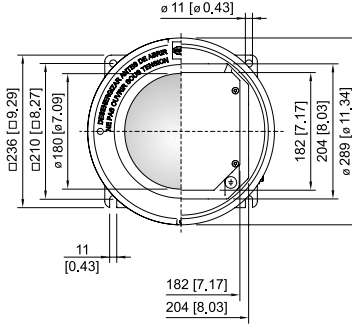
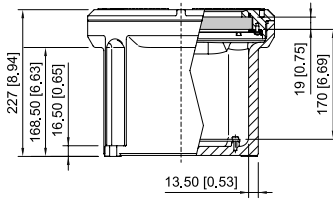
Enclosure size 3 with inspection window

# Explosionproof & Dust-ignitionproof Enclosures

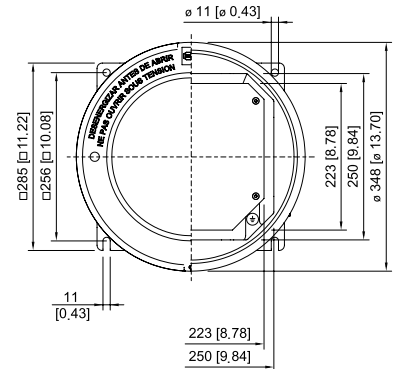
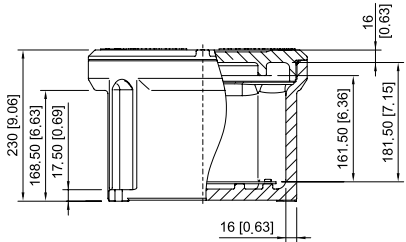
Series 8265 Threaded Enclosure  
NEC/CEC



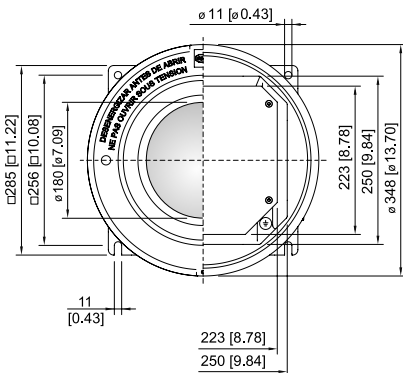
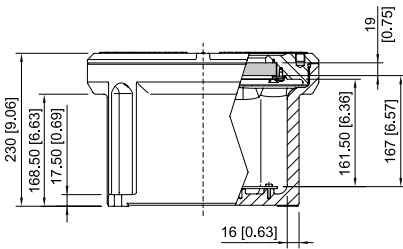
Enclosure size 4 without inspection window



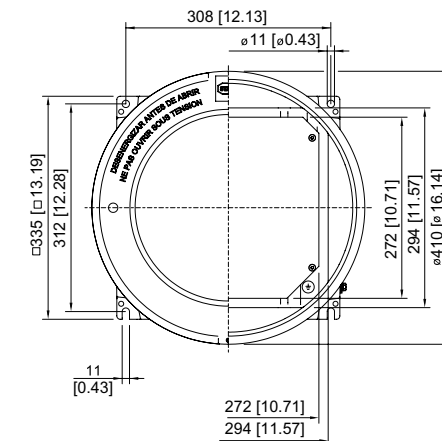
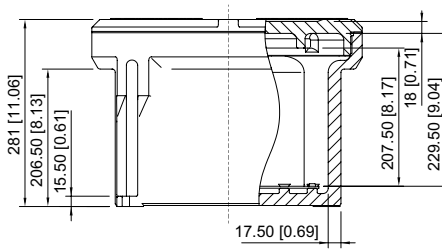
Enclosure size 4 with inspection window



Enclosure size 5 without inspection window

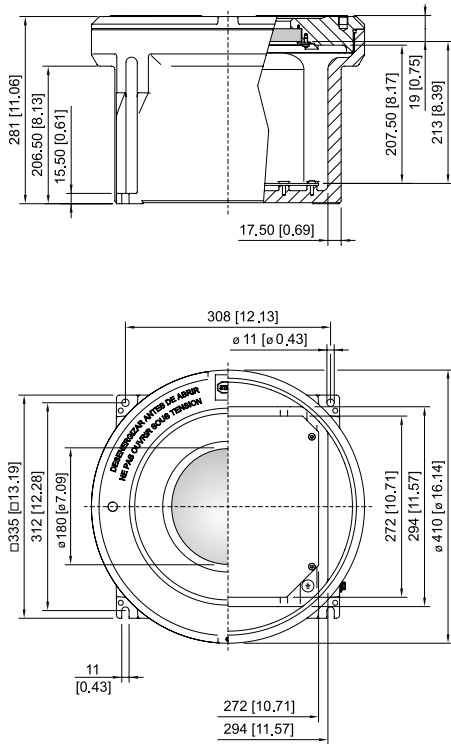


Enclosure size 5 with inspection window



Enclosure size 6 without inspection window

J



Enclosure size 6 with inspection window