

Compact Moulded Case Circuit Breaker

Series 8568

STAHL



- Degree of protection: Flameproof 1- and 2-pole with thermal-magnetic branch circuit protection
- Rated operational current from 15 to 125 A
- Maximum rated operational voltage - IEC / ATEX up to 415 V AC and NEC / CEC up to 480 V AC
- 10 kA rated switching capacity IEC/EN 60947 / UL 489
- Isolating function to IEC/EN 60947-2
- Permanently set thermal and magnetic trips
- Design to UL 489 / CSA-C22.2 No. 5 & IEC 60947-2

WebCode **8568A**



Series 8568 molded-case circuit breakers meet all technical requirements relating to safe and selective tripping. When short-circuits occur, they restrict the load on the installed circuits due to their excellent current limiting and related high breaking capacity and provide a high level of discrimination for line-side fuses.

	NEC® 500 CEC Appendix J					
	Class I		Class II		Class III	
Division	1	2	1	2	1	2
Ex interface						
Installation in		•				

	CEC Section 18 NEC® 505 NEC® 506					
	Class I					
Zone	0	1	2	20	21	22
Ex interface						
Installation in		•	•			

	IECEx / ATEX					
	Zone	0	1	2	20	21
Ex interface						
Installation in		•	•		•	•

Selection Table				
No. of poles	1			
Rated operational voltage AC (NEC)	347 V			
Rated operational voltage DC (NEC)	125 V			
Rated operational voltage AC	240 V			
Rated operational voltage DC	125 V			
Rated operational current	Product Type	Art. No.	Weight lb	
15 A	8568/MCCB-GS101B-15	219818	5.18	
20 A	8568/MCCB-GS101B-20	219820	5.18	
25 A	8568/MCCB-GS101B-25	240682	5.18	
30 A	8568/MCCB-GS101B-30	219821	5.18	
35 A	8568/MCCB-GS101B-35	240683	5.18	
40 A	8568/MCCB-GS101B-40	219823	5.18	
45 A	8568/MCCB-GS101B-45	240684	5.18	
50 A	8568/MCCB-GS101B-50	240685	5.18	
60 A	8568/MCCB-GS101B-60	219824	5.18	
70 A	8568/MCCB-GS101B-70	240686	5.18	
80 A	8568/MCCB-GS101B-80	240687	5.18	
90 A	8568/MCCB-GS101B-90	240688	5.18	
100 A	8568/MCCB-GS101B-100	240689	5.18	
110 A	8568/MCCB-GS101B-110	240690	5.18	
125 A	8568/MCCB-GS101B-125	240691	5.18	

Selection Table

No. of poles	2
Rated operational voltage AC (NEC)	480 V
Rated operational voltage DC (NEC)	125 V / 250 V
Rated operational voltage AC	240 V / 415 V
Rated operational voltage DC	125 V / 250 V

Rated operational current	Product Type	Art. No.	Weight lb
15 A	8568/MCCB-GS102B-15	240692	7.5
20 A	8568/MCCB-GS102B-20	219825	7.5
25 A	8568/MCCB-GS102B-25	240693	7.5
30 A	8568/MCCB-GS102B-30	219826	7.5
35 A	8568/MCCB-GS102B-35	240694	7.5
40 A	8568/MCCB-GS102B-40	219827	7.5
45 A	8568/MCCB-GS102B-45	240695	7.5
50 A	8568/MCCB-GS102B-50	240696	7.5
60 A	8568/MCCB-GS102B-60	219829	7.5
70 A	8568/MCCB-GS102B-70	240697	7.5
80 A	8568/MCCB-GS102B-80	240698	7.5
90 A	8568/MCCB-GS102B-90	240699	7.5
100 A	8568/MCCB-GS102B-100	219830	7.5
110 A	8568/MCCB-GS102B-110	240700	7.5
125 A	8568/MCCB-GS102B-125	240701	7.5

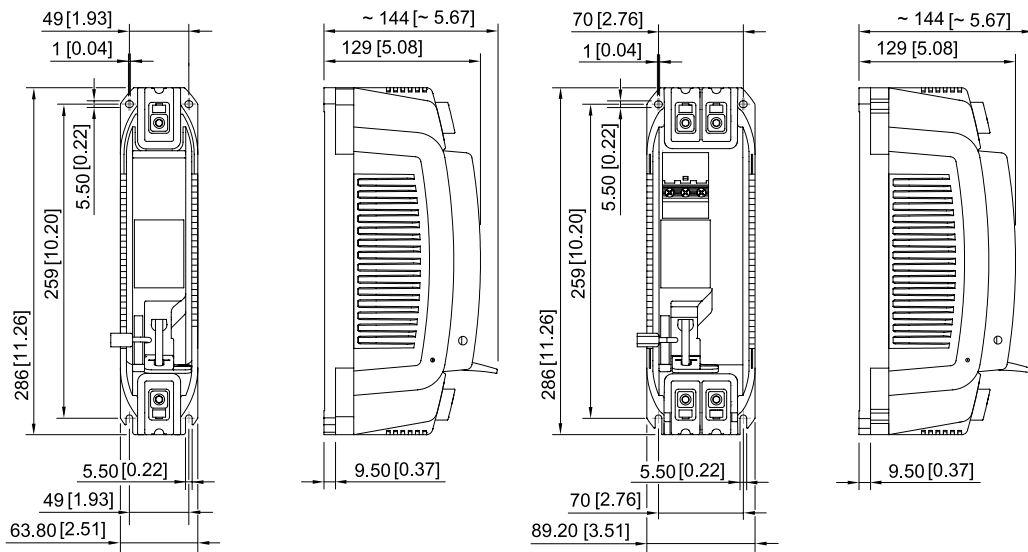
For 250 V DC, 2 poles in series are needed.

Technical Data

Variant	15 A ... 60 A	70 A ... 125 A
Explosion Protection		
Application range (Zone) note	Can be used in Zone 21 / 22 with protection by installation in enclosure Ex tb / tc	Can be used in Zone 21 / 22 with protection by installation in enclosure Ex tb / tc
FMus certificate	FM19US0099X	FM19US0099X
Marking FMus	Class I, Div. 2, Groups A,B,C,D; T6 ... T4, Class I, Zone 1, AEx db eb IIC T6 ... T4	Class I, Div. 2, Groups A,B,C,D; T6 ... T4, Class I, Zone 1, AEx db eb IIC T6 ... T4
cFM certificate	FM19CA0049X	FM19CA0049X
Marking cFM	Class I, Div. 2, Groups A,B,C,D; T6 ... T4, Class I, Zone 1, Ex db eb IIC T6 ... T4	Class I, Div. 2, Groups A,B,C,D; T6 ... T4, Class I, Zone 1, Ex db eb IIC T6 ... T4
IECEX gas explosion protection	Ex db eb IIC T4 ... T6 Gb	Ex db eb IIC T4 ... T5 Gb
Certificates	ATEX (FM), Canada (FM), IECEX (FM), USA (FM)	ATEX (FM), Canada (FM), IECEX (FM), USA (FM)
Electrical Data		
Type of voltage	AC/DC	AC/DC
Auxiliary contacts	without	without
Auxiliary contacts 2	without	without
N-pole present	No	No
Rated interrupting capacity	10 kA	10 kA
Ambient Conditions		
Ambient temperature °F	-22 °F ... +104 °F (T6) -22 °F ... +140 °F (T4)	-22 °F ... +104 °F (T5) -22 °F ... +140 °F (T4)
Ambient temperature °C	-30 °C ... +40 °C (T6) -30 °C ... +60 °C (T4)	-30 °C ... +40 °C (T5) -30 °C ... +60 °C (T4)
Note	Ambient temperature range for the location of the equipment installation. For installation up to +60 °C (+140 °F), consult the factory.	Ambient temperature range for the location of the equipment installation. For installation up to +60 °C (+140 °F), consult the factory.

Technical Data		
Variant	15 A ... 60 A	70 A ... 125 A
Mechanical Data		
Connection cross-section AWG	10 AWG ... 1/0 AWG	AWG2 ... AWG4/0
Connection cross-section	6 ... 50 mm ²	35 ... 95 mm ²
Degree of protection (IP)	IP20	IP20
Enclosure material	Epoxy resin	Epoxy resin
Mounting / Installation		
Tightening torque lbf in	53 to 71 lbf in	132 to 177 lbf in
Tightening torque	6 – 8 Nm	15 – 20 Nm

Dimensional Drawings (All Dimensions in mm [inches]) – Subject to Alterations



8568/MCCB, 1-pole

8568/MCCB, 2-pole