

- Compact one- and two-channel Ex i output isolating repeater
- Space savings due to a slim design – 12.5 mm wide
- Can be used up to SIL 2 (IEC/EN 61508)

07 b

MY R. STAHL 9265A



9265 series Ex i isolating repeaters can be used for the intrinsically safe operation of control valves, I/P transducers or indicators. They transmit superimposed HART communication signals in both directions. The input, output and auxiliary power are galvanically separated from one another. The two channels in the two-channel variants are galvanically separated from one another.

	NEC® 500 CE Code Appendix J					
	Class I		Class II		Class III	
Division	1	2	1	2	1	2
Ex interface	•	•	•	•	•	•
Installation in		•				

	CE Code Section 18					
	NEC® 505			NEC® 506		
	Class I					
Zone	0	1	2	20	21	22
Ex interface	•	•	•			
Installation in			•			

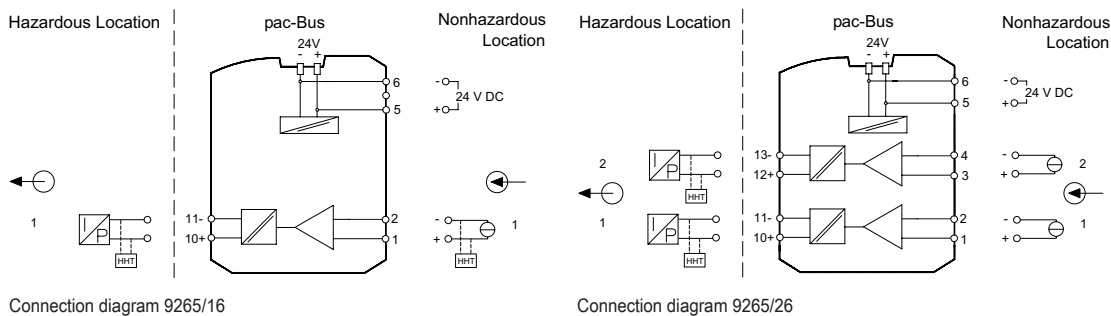
	IECEx / ATEX					
	0	1	2	20	21	22
Zone						
Ex interface	•	•	•	•	•	•
Installation in			•			

Selection Table							
Product variant	Isolating repeater						
Number of channels	Input signal	Output signal	LFD relay	Connection type	Product Type	Art. No.	Weight
1	0/4 to 20 mA with HART	0/4 to 20 mA with HART	No	Screw terminal	9265/16-11-10s	261403	185 g
		0/4 to 20 mA with HART	No	Spring clamp terminal	9265/16-11-10k	261405	185 g
2	0/4 to 20 mA with HART	0/4 to 20 mA with HART	No	Screw terminal	9265/26-11-10s	261404	195 g
		0/4 to 20 mA with HART	No	Spring clamp terminal	9265/26-11-10k	261406	195 g

Technical Data		
Variant	9265/16-11-10.	9265/26-11-10.
Explosion Protection		
Marking cULus	Associat. apparatus for use in, Class I, Div. 2, Groups A,B,C,D; Class I, Zone 2, Group IIC prov. intr. safe circ. f.u.in Class I,II,III, Div. 1, Groups A,B,C,D,E,F,G; Class I, Zone 0, Group IIC See doc. 9265 6 031 001 3	Associat. apparatus for use in, Class I, Div. 2, Groups A,B,C,D; Class I, Zone 2, Group IIC prov. intr. safe circ. f.u.in Class I,II,III, Div. 1, Groups A,B,C,D,E,F,G; Class I, Zone 0, Group IIC See doc. 9265 6 031 001 3
IECEx gas explosion protection	Ex ec [ia Ga] IIC T4 Gc	Ex ec [ia Ga] IIC T4 Gc
IECEx dust explosion protection	[Ex ia Da] IIIC	[Ex ia Da] IIIC
IECEx firedamp protection	[Ex ia Ma] I	[Ex ia Ma] I
Certificates	ATEX (BVS), Canada (UL), China (CQM), IECEx (BVS), India (PESO), Korea (KTL), SIL (BVS), USA (UL)	ATEX (BVS), Canada (UL), China (CQM), IECEx (BVS), India (PESO), Korea (KTL), SIL (BVS), USA (UL)
Ship approval	DNV	DNV

Technical Data		
Variant	9265/16-11-10.	9265/26-11-10.
Safety Data		
Max. voltage U_d/V_{oc}	25.2 V	25.2 V
Max. current I_d/I_{sc}	93 mA	93 mA
Max. power P_o	587 mW	587 mW
Safety-related max. voltage	253 V	253 V
Input		
Input	0/4 ... 20 mA with HART	0/4 ... 20 mA with HART
Output		
Output	0/4 to 20 mA with HART	0/4 to 20 mA with HART
Max. load resistance R_L	700 Ω	700 Ω
Ambient Conditions		
Ambient temperature °F	-40 °F ... +158 °F	-40 °F ... +158 °F
Ambient temperature °C	-40 °C ... +70 °C	-40 °C ... +70 °C
Storage temperature °F	-40 °F ... +185 °F	-40 °F ... +185 °F
Storage temperature °C	-40 °C ... +85 °C	-40 °C ... +85 °C
Mounting / Installation		
Mounting type	DIN rail NS35/15, NS35/7.5	DIN rail NS35/15, NS35/7.5

Technical Drawings – Subject to Alterations

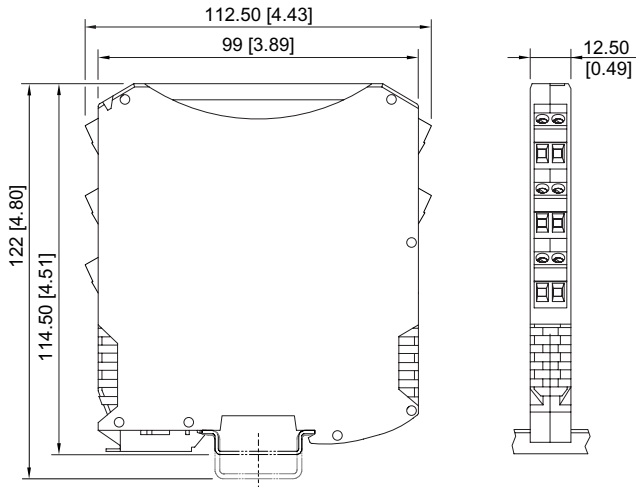


Accessories

Figure	Description	Product Type	Art. No.	Weight
Supply module				
	Redundant supply of 24 V DC auxiliary power (with fuse) and reading out the collective error message from Series 92xx ISpac modules which support this function. Screw terminal connection	9193/21-11-11s	268183	135 g
	Redundant supply of 24 V DC auxiliary power (with fuse) and reading out the collective error message from Series 92xx ISpac modules which support this function. Spring clamp terminal connection	9193/21-11-11k	268184	135 g
pac-Bus				
	Wiring auxiliary power and collective error message	9294/31-12	262928 ▲	6 g

Dimensional Drawings (All Dimensions in mm [inches]) – Subject to Alterations

07 b



ISpac Series 9260, 9265, 9270, 9275, 9276, 9282 with screw terminal