

# Control and signalling devices

Control device system Series ConSig 8040

Mushroom maintained

8040/12E8X-15L07SA03 Art. No. 287011



ConSig



- Quad certified control stations (NEC®, CE Code, ATEX, IECEx)
- Lightweight enclosure made of fiber glass reinforced polyester (FRP), excellent for corrosive atmospheres
- Offers a variety of pushbuttons, illuminated pushbuttons, control switches and LEDs for different configurations
- Customizable control stations available upon request with different entry, contact options and additional certifications

MY R. STAHL 8040E



R. STAHL's series 8040 NEC® / CE Code control stations utilize explosion-protected components with non-metallic enclosures for the ultimate flexibility, safety and durability in hazardous and hostile locations. Choose from one of the standard versions or contact us for a customized solution.

## Technical Data

### Explosion Protection

|                                 |  |
|---------------------------------|--|
| Area of application             | European Union (ATEX)<br>Canada<br>IECEx<br>USA  |
| Application range (zones)       | 1, 2, 21, 22   |
| IECEx gas certificate           | IECEx PTB 06.0025  |
| IECEx gas certificate           | IECEx PTB 06.0025  |
| IECEx gas explosion protection  | Ex db eb IIC T6 Gb   |
| IECEx dust certificate          | IECEx PTB 06.0025  |
| IECEx dust explosion protection | Ex tb IIIC T80 °C Db   |
| ATEX gas certificate            | PTB 01 ATEX 1105   |
| ATEX gas certificate            | PTB 01 ATEX 1105   |
| ATEX gas explosion protection   | ⊕ II 2 G Ex db eb IIC T6 Gb  |
| ATEX dust certificate           | PTB 01 ATEX 1105   |
| ATEX dust explosion protection  | ⊕ II 2 D Ex tb IIIC T80 °C Db  |
| Certificate ULus                | E182378V1S5  |
| Marking ULus                    | Class I, Div. 2, Groups A,B,C,D<br>Class II, III, Div. 2, Groups F,G<br>Class I, Zone 1, AEx db eb IIC T6<br>Enclosure Type 3, 4, 4X |
| Certificate cUL                 | E182378V1S5  |
| Marking cUL                     | Ex db eb IIC T6<br>Class I, Div. 2, Groups A,B,C,D<br>Class II, III, Div. 2, Groups F,G<br>Enclosure Type 3, 4, 4X                   |
| Certificates                    | ATEX (PTB), Brazil (ULB), Canada (UL), China (NEPSI), IECEx (PTB), India (PESO), Korea (KGS), Taiwan (ITRI), USA (UL)                |
| Ship approval                   | DNVGL  |
| Notes                           | Product label for standard configurations as NEC®, CE Code, ATEX, and IECEx. For additional certifications, contact factory.         |

# Control and signalling devices

Control device system Series ConSig 8040

Mushroom maintained

8040/12E8X-15L07SA03 Art. No. 287011



## Electrical Data

|                              |       |
|------------------------------|-------|
| Rated operational voltage AC | 550 V |
| Rated operational current    | 10 A  |

## Ambient Conditions

|                        |                    |
|------------------------|--------------------|
| Ambient temperature    | -50 °C ... 40 °C   |
| Ambient temperature °F | -58 °F ... +104 °F |

## Mechanical Data

|  |  |
|--|--|
| IP degree of protection (IEC 60529)          | IP66   |
| Enclosure type (UL50 & UL50E)                | 3, 4, 4X                                       |
| Enclosure material                           | Polyester resin, Fiberglass reinforced         |
| Enclosure color                              | Dark grey                                      |
| Silicone-free                                | No   |
| Clamping range AWG                           | 14 AWG   |
| Connection cross-section max.                | 2.5 mm <sup>2</sup>                            |
| Solid connection cross section               | 0.32 – 2.5 mm <sup>2</sup>                     |
| Connection cross-section AWG single stranded | 22 AWG ... 14 AWG                              |
| Finely stranded connection cross section     | 0.32 – 2.5 mm <sup>2</sup>                     |
| Finely stranded connection cross-section AWG | 22 AWG ... 14 AWG                              |
| Cover fixing type                            | With captive screws, M4 stainless steel screws |
| Width  | 80 mm  |
| Width, inches                                | 3.15 in  |
| Height                                       | 139 mm   |
| Height in inches                             | 5.47 in  |
| Depth  | 72 mm  |
| Depth in inches                              | 2.76 in  |
| Seal   | Silicone, foamed                               |
| Weight                                       | 740 g  |
| Weight                                       | 1.63 lb  |

## Mounting / Installation

|   |             |
|---|-------------|
| Tightening torque of cover screw 1        | 1.4 N · m   |
| Tightening torque of cover screw 1 lbf in | 12.4 lbf in |

## Components

|                                  |   |
|----------------------------------|---|
| Installation position middle     | E-STOP mushroom maintained 55, Red – (rotating arrow), With silicone seal |
| Built-in element middle          | Contact element NC/NC   |
| Flange and plates                | Metal plate, bottom   |
| Cable glands and entries         | NPT 3/4   |
| Entry type                       | CMP   |
| Entry 1 type                     | Metal adaptor   |
| Entry 1                          | NPT 3/4"  |
| Metal entry possible for entry 1 | Yes   |

# Control and signalling devices

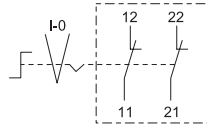
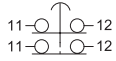
Control device system Series ConSig 8040

Mushroom maintained

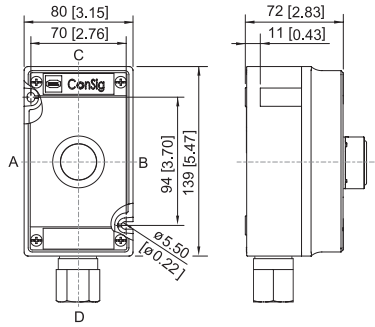
8040/12E8X-15L07SA03 Art. No. 287011



## Technical Drawings – Subject to Alterations



## Dimensional Drawings (All Dimensions in mm [inches]) – Subject to Alterations



ConSig 8040/12E

## Accessories

### Mushroom maintained 55 mm E-STOP

BG015

Art. No.



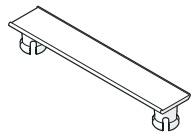
Ø 55 mm  
Yellow/red  
Designation plate: With yellow backing plate  
Front panel mounting  
Silicone-free: No

244637

## Spare Parts

### Tag label

Art. No.



plain  
for attaching to enclosure 8040; moulded material;  
with paper insert strip

130673

We reserve the right to make alterations to the technical data, dimensions, weights, designs and products available without notice. The illustrations cannot be considered binding.