

EC-910-AFZ-I0D-P04 Art. No. 289860



- All-round Full HD zoom camera with 10x zoom
- PoE+, 24 VDC or 24 VAC
- Including wall / ceiling mount bracket
- Zones 1, 2, 21, 22
- Day / night, WDR, ONVIF Q, S, T
- with a 4 m long armoured multi-cable

MY R. STAHL EC910AFZB



ONVIF 1.0 2.0 3.0



The EC-910-AFZ PoE+ camera combines state-of-the-art camera technology with Full HD resolution, WDR, zoom and defog function for hazardous areas. The 10x zoom version provides sharp, crystal-clear images and is universally applicable in the oil and gas industries and in the chemical, pharmaceutical and related industries.

To ensure guaranteed resistance to adverse weather, the EC-910-AFZ with 10x zoom has been tested and certified by Lloyd's Register for marine application. Lloyd's attests the camera's reliability with regard to temperature, corrosion and vibration resistance as well as EMC.

The camera is certified acc. to ATEX, IECEx for Zone 1, 2, 21, 22. The stainless-steel sun-protection and the wall / ceiling mount bracket are part of the standard delivery.

Technical Data

Explosion Protection

| | |
|---------------------------------|--------------------------------|
| Application range (zones) | 1, 2, 21, 22 |
| Certifications | ATEX, IECEx |
| IECEx gas certificate | ULD 18.0001X |
| IECEx gas explosion protection | Ex db IIB T5 Gb |
| IECEx dust certificate | ULD 18.0001X |
| IECEx dust explosion protection | Ex tb IIIC 100 °C Db |
| ATEX gas certificate | 18 ATEX 2001X |
| ATEX gas explosion protection | Ex II 2 G Ex db IIB T5 Gb |
| ATEX dust certificate | 18 ATEX 2001X |
| ATEX dust explosion protection | Ex II 2 D Ex tb IIIC 100 °C Db |
| Lloyd's Register categories | ENV1, ENV2, ENV3, ENV5 |

Electrical Data

| | |
|----------------------------------|-------------------------------|
| Rated operational voltage AC | 24 V |
| Rated operational voltage DC | 24 V |
| Rated operational current AC | 1.32 A |
| Rated operational current for DC | 0.9 A |
| Power consumption | 21 W |
| Interfaces | TX, PoE+ |
| Connection | Ethernet LAN 100Base-TX, RJ45 |

Camera Data

| | |
|--------|---|
| Sensor | 1/3" CMOS 2.55 MPixel |
| Lens | f = 5.1 mm (w), 51 mm (d) From F1.6 to F1.8 |

EC-910-AFZ-I0D-P04 Art. No. 289860

Camera Data

| | |
|--------------------------------------|---|
| Viewing angle | 54° (wide) 4.9° (tele) |
| Focus | Automatic focus |
| Zoom | 10x (320x, with digital zoom) |
| Resolution | Full HD to 320x180 p |
| Pixel | 2.55 megapixels |
| Minimum working distance | 100 mm to 1000 mm (tele) |
| Minimum illumination B/W (ICR-ON) | 0.1 lx IRE 50% 0.025 IRE 50% (slow shutter) |
| Minimum illumination color (ICR-OFF) | 0.5 llx IRE 50% 0,125 lx IRE 50% (slow shutter) |
| Number of streams | 3 independent video streams Full HD |
| Frame rate (fps) | 1 to 60 frames per second |
| S/N ratio | 50 dB |
| Back light compensation | Yes |
| Electronic shutter | 1/8 s to 1/30000 s, 14 steps |
| Compression | H.264, MJPEG, JPEG, MPEG4 |
| De-fog | Yes (on/off) |
| WDR (dynamic range) | 130 dB |
| White balance | Auto, Indoor, Outdoor, manual |
| Wide Dynamik Range | On/off, light level |
| Motion detection | Yes |
| Web server | Yes |

Software

| | |
|-----------------------|---|
| Network protocol | ONVIF profiles Q,S,T |
| Network Configuration | TCP/IPv4-IPv6, UDP/IPv4-IP6, HTTP, HTTPS, NTP, DHCP, WS- DISCOVERY, DSCP, SOAP, DNS, IGMP (Multicast) |
| Streaming | RTSP, RTCP, RTP/IPv4-IPv6, HTTP, Multicast |

Ambient Conditions

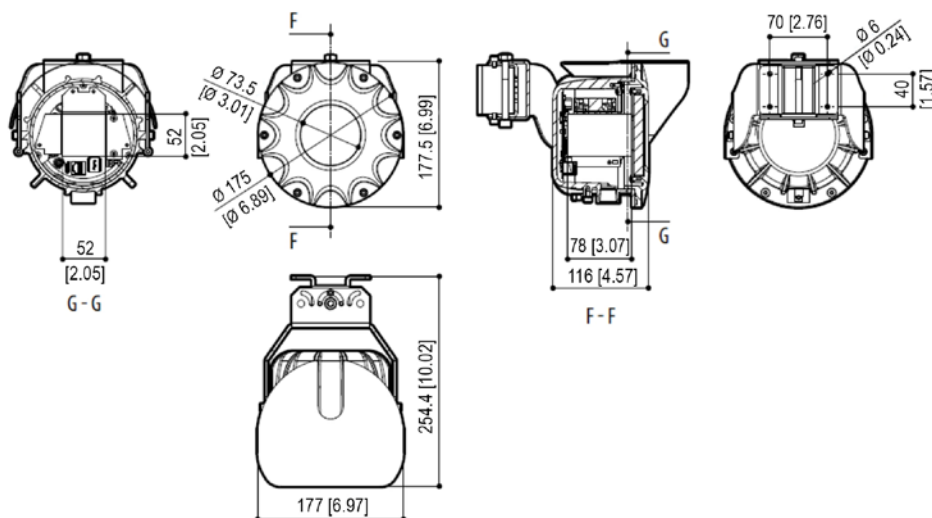
| | |
|------------------------|-------------------|
| Ambient temperature °C | -40 °C ... +65 °C |
|------------------------|-------------------|

Mechanical Data

| | |
|------------------------------|---|
| Version | Movable viewing angle |
| Degree of protection (IP) | IP66, 67, 68, 69 |
| Note on degree of protection | With IP68 (2h, 2m, 16 ft) |
| Enclosure material | Stainless steel 316L |
| Surface treatment | Electropolished and External surface, shotblasted |
| Cable 1 | Outer diameter: 18.6+/- 0.2 mm |
| Cable structure | Armoured cable |
| Connection cable | with cable |
| Cable length | 4 m |
| Opening for cable gland | 1x1/2" NPT w Ex d cable gland |
| Integrated wiper | No |
| Feature | PoE+, Lloyd's Register Wall/ceiling fastening incl. |
| Package weight | 11 kg |
| Package dimensions | 640 x 208 x 590 mm |
| Weight | 8.5 kg |
| Weight | 18.74 lb |

EC-910-AFZ-I0D-P04 Art. No. 289860

Dimensional Drawings (All Dimensions in mm [inches]) – Subject to Alterations



Accessories

Pole and Corner module EC-910

Art. No.



Pole and Corner module EC-910-AFZ

Stainless steel 316L, electropolished
Payload: 30 kg [66.14 lbs]
Pole diameter: 60 mm ... 200 mm [2.36 x 7.87 inches]
Dimension: 120 x 86 mm [4.72 x 3.39 inches]

264965

Ex e Terminal box

Art. No.



JCT-8146-Ethernet+Analog 5xcable glands

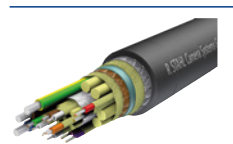
Terminal box, polyester resin
Version for ethernet Tx or analog cameras
Dimensions without cable glands (HxWxD): 340.5 mm x 340.5 mm x 91 mm
Ingress protection: IP66
equipped with:
5 x cable glands:
2 x CMP-25SC2KVAR KLE MsNi M25x1.5
1 x 8161/7-M25-1707 with red stopping plug
2 x 8161/7-M20-1304 with red stopping plug
usable for:
EC-750, EC-910-AFZ, EC-940S-AFZ (ATEX, IECEx)
EC-840S-TIC (ATEX, IECEx), EC-94x-PTZ, Water tank

265668

EC-910-AFZ-I0D-P04 Art. No. 289860


Camera multi-cable armored

Art. No.

| | | |
|--|--|---------------|
|  | <p>VB-CAM-MULTI-Ethernet-ARM 1 x Ethernet cable 3 x power supplies 2.5 mm² / AWG14 7 x data cable 0.34 mm² / AWG22 -60 °C ... +80 °C [-76 °F ... +176 °F] 19.2 ±0.5 mm [0.76 ±0.02 inches] outer diameter IEC 60332-1 flame-resistant IEC 60754-2 halogen-free DIN 60811-404 oil-resistant NEK 606 mud-resistant</p> | <p>252571</p> |
|--|--|---------------|

Cable glands

Art. No.

| | | |
|--|---|---------------|
|  | <p>CMP-20PX2K-REX-MSNi-NPT 1/2" OR-SET Cable gland with RapidEx compound explosion-protected Clamping-range: 12.5 ... 20.9 mm for EC-910</p> | <p>275571</p> |
| | <p>CMP-20sPX2K-REX KLE MSNi NPT 1/2" OR-SET Cable gland with RapidEx compound explosion-protected Clamping-range: 9.5 ... 15.9 mm for EC-910</p> | <p>278866</p> |
| | <p>CMP-20sPXSS2K-REX KLE MSNi NPT 1/2" SET Cable gland with RapidEx compound explosion-protected Clamping-range: 6.1 mm ... 11.7 mm for EC-910</p> | <p>279480</p> |

We reserve the right to make alterations to the technical data, dimensions, weights, designs and products available without notice. The illustrations cannot be considered binding.