

Installation equipment

Flange socket 20 A

Flange socket

8570/25-509-S-XX-X-00-XXX Art. No. 290136



- Different voltage ranges according to EN 60309
- Large temperature range of use
- Small dimensions for integration into machines and connection chambers
- High mechanical impact and shock resistance
- Perfect protection against penetration of liquids and dusts
- 3D data for download on the website
- Appropriate Series 8570/22 plug

MY R. STAHL 8570W



R. STAHL Series 8570/25 SolConeX flange sockets constitute incomplete equipment and are intended for installation in an enclosure with the following types of protection: "eb" or "tb". When installed in an enclosure, they are approved for use in hazardous areas that are classified for the zone or division according to NEC 505.

Self-cleaning lamellar contacts provide optimum contact and the plugs can be inserted and removed in the zero position quickly and easily. The load disconnect switch, with a mechanical locking device and a handle that can be locked in the 0 or I position, is an additional safety feature. Thanks to the compact design, the flange socket can be integrated into nearly all enclosures and, with the internal locking device, ensures fast and safe connection of devices.

Technical Data

Explosion Protection

| | |
|---------------------------------|---|
| Scope of validity | European Union (ATEX) Canada IECEX USA |
| Application range (Zones) | 1 2 21 22 |
| IECEX gas certificate | IECEX PTB 19.0018U |
| IECEX gas explosion protection | Ex db eb IIC Gb |
| IECEX dust certificate | IECEX PTB 19.0018U |
| IECEX dust explosion protection | Ex tb IIIC Db |
| ATEX gas certificate | PTB 19 ATEX 1005 U |
| ATEX gas explosion protection | ⊕ II 2 G Ex db eb IIC Gb |
| ATEX dust certificate | PTB 19 ATEX 1005 U |
| ATEX dust explosion protection | ⊕ II 2 D Ex tb IIIC Db |
| FMus certificate | FM20US0118U |
| cFM certificate | FM20CA0058U |
| Marking FMus | Class I, Div. 2, Groups A,B,C,D; Class II, III, Div. 1, Groups E,F,G; Enclosure Type 3, 4, 4X Class I, Zone 1, AEx db eb IIC Gb Zone 21, AEx tb IIIC Db |

Installation equipment

Flange socket 20 A

Flange socket

8570/25-509-S-XX-X-00-XXX Art. No. 290136



Explosion Protection

| | |
|---------------|---|
| Marking cFM | Ex db eb IIC Gb Class I, Div. 2, Groups A,B,C,D; Class II, III, Div. 1, Groups E,F,G; Enclosure Type 3, 4, 4X Ex tb IIIC Db |
| Certificates | ATEX (PTB), Brazil (ULB), Canada (FM), China (CQST), IECEx (PTB), USA (FM) |
| Ship approval | DNV |

Electrical Data

| | |
|---------------------------|--------------------------------------|
| Rated operational voltage | 120/208 to 144/250 V AC |
| Rated operational current | 20 A |
| Electrical service life | > 5x10 ³ switching cycles |
| Mechanical service life | > 5x10 ³ switching cycles |
| Type of voltage | Low voltage |
| Horsepower rating | 5 HP |
| Frequency range | 50 / 60 Hz |

Device Specific Data

| | |
|---|---------|
| Back-up fuse with thermal protection | 35 A gG |
| Back-up fuse without thermal protection | 20 A gG |

Ambient Conditions

| | |
|---------------------|-------------------|
| Ambient temperature | -50 °C to +65 °C |
| Ambient temperature | -58 °F to +149 °F |

Mechanical Data

| | |
|--|---|
| Degree of protection IP (IEC 60529) | IP66 |
| IP degree of protection (IEC 60079) | IP64 |
| Enclosure type (NEMA250) | 3, 4, 4X |
| Enclosure material | Polyamide, Glass fiber reinforced |
| Silicone-free | No |
| Solid connection cross-section | 1 x 1.5 mm ² ... 2 x 6 mm ² |
| Connection cross-section AWG single stranded | 1 x AWG 16 ... 2 x AWG 10 |
| Finely stranded connection cross-section | 1 x 1.5 mm ² ... 2 x 4 mm ² |
| Finely stranded connection cross-section AWG | 1 x AWG 16 ... 2 x AWG 12 |
| Width | 97 mm |
| Width in inches | 3.82 in |
| Height | 136 mm |
| Height, inches | 5.35 in |
| Length | 195 mm |
| Length, inches | 7.68 in |
| Impact strength (IEC 60079) | 7 J |
| Impact strength (IEC 62262) | IK10 |
| Color code | Blue |
| Coding (clock hour position) | 9 |
| Lockable in | in 0- and I-position |
| Interlock | Prevents the plug from being pulled under load |
| Series | SolConeX |

Installation equipment

Flange socket 20 A

Flange socket

8570/25-509-S-XX-X-00-XXX Art. No. 290136

STAHL

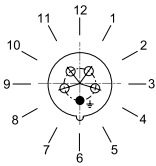
Mechanical Data

| | |
|--------------------------|----------------|
| Detailed number of poles | 4-pole, 5 wire |
| Detailed pole number 2 | 3 P + N + PE |
| Weight | 1 kg |
| Weight | 2.2 lb |

Mounting / Installation

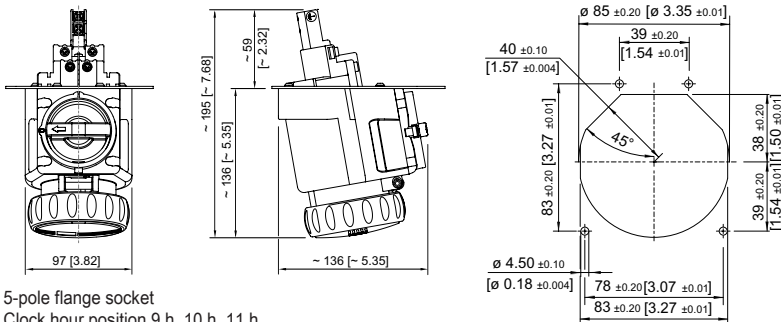
| | |
|------------|----------------|
| Connection | Screw terminal |
|------------|----------------|

Technical Drawings – Subject to Alterations



Position of clock hour position
Example: 6 h position

Dimensional Drawings (All Dimensions in mm [inches]) – Subject to Alterations

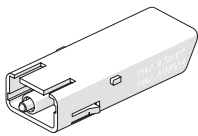


5-pole flange socket
Clock hour position 9 h, 10 h, 11 h

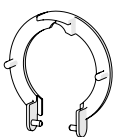
4-/5-pole flange socket
Opening figure

Accessories

Auxiliary contact optional, pluggable by the user, easy to retrofit

| | Art. No. |
|---|----------|
|  <p>1 NC Max. 500 V AC, max. 110 V DC Max. 6 A 1 x AWG 20 to 2 x AWG 14, 1 x 0.5 to 2 x 2.5 mm², solid/finely stranded</p> | 150688 |
| <p>1 NO Max. 500 V AC, max. 110 V DC Max. 6 A 1 x AWG 20 to 2 x AWG 14, 1 x 0.5 to 2 x 2.5 mm², solid/finely stranded</p> | 150690 |
| <p>1 NO, gold-plated contact Max. 500 V AC, max. 110 V DC Max. 6 A 1 x AWG 20 to 2 x AWG 14, 1 x 0.5 to 2 x 2.5 mm², solid/finely stranded</p> | 150692 |

Dust cover for receptacles, series 8570

| | Art. No. |
|--|----------|
|  <p>Retrofittable dust protection for 4-pole, 5 wire sockets</p> | 255004 |

Installation equipment

Flange socket 20 A

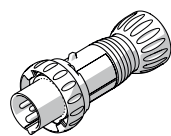
Flange socket

8570/25-509-S-XX-X-00-XXX Art. No. 290136

STAHL

Plug

Art. No.



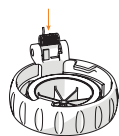
plug, 4-pole, 5 wire, 120/208 to 144/250 V AC, 50 / 60 Hz, 20 A

291377

Spare Parts

Repair set for receptacles series 8570

Art. No.



8570 4-pole, 5 wire, hinged cover repair set, blue

274106

We reserve the right to make alterations to the technical data, dimensions, weights, designs and products available without notice. The illustrations cannot be considered binding.