

Isolator Barriers

Ex i power supply

Ex i field circuit ISpac

9143/10-114-200-10s Art. No. 159788



- For the intrinsically safe supply of power to three- or four-conductor transmitters, solenoid valves, light barriers and controllers
- Stable, adjustable output voltage
- Extensive portfolio with either DC or AC auxiliary power

Webshop 9143A



The 9143 series compact I.S. power supply is used for the intrinsically safe supply of power to field devices, e.g. three- or four-conductor transmitters, solenoid valves, light barriers and controllers. It delivers stable, adjustable output voltage via intrinsically safe outputs.

Technical Data

Explosion Protection

Application range (Zones)	2
Ex interface zone	1 2 21 22
IECEX gas certificate	IECEX BVS 12.0009 X
IECEX gas explosion protection	Ex nA [ib Gb] IIC/IIB T4 Gc
IECEX dust certificate	IECEX BVS 12.0009 X
IECEX dust explosion protection	[Ex ib Db] IIIC
IECEX firedamp certificate	IECEX BVS 12.0009 X
IECEX firedamp protection	[Ex ib Mb] I
ATEX gas certificate	BVS 05 ATEX E 152 X
ATEX gas explosion protection	Ex II 3 (2) G Ex nA [ib Gb] IIC/IIB T4 Gc
ATEX dust certificate	BVS 05 ATEX E 152 X
ATEX dust explosion protection	Ex II (2) D [Ex ib Db] IIIC
ATEX firedamp certificate	BVS 05 ATEX E 152 X
ATEX firedamp protection	Ex I (M2) [Ex ib Mb] I
cCSAus certificate	1570027
Marking cCSAus	Class I, Zone 2, AEx Ex/nA [ib Gb] IIB 1 Gc Class I, Zone 1, Ex nA [ib Gb] Group IIB T4 Gc See doc. 91 436 01 32 2
Certificates	ATEX (BVS), Canada / USA (CSA), IECEX (BVS), Korea (KGS)
Ship approval	CCS, EU RO MR (DNV)
Declaration of Conformity	ATEX (EUK)
Installation	In Zone 2 and safe areas
Further information	see respective certificate and operating instructions

Safety Data

Max. voltage U_o/V_{oc}	11.4 V
Max. current I_o/I_{sc}	200 mA

Isolator Barriers

Ex i power supply

Ex i field circuit ISpac

9143/10-114-200-10s Art. No. 159788



Safety Data

Max. power P_o	2.28 W
Max. permissible external capacitance C_o/C_a for IIC	1.64 μ F
Max. permissible external capacitance C_o/C_a for IIB	11.2 μ F
Max. permissible external capacity C_o for I	52 μ F
Max. permissible external inductance L_o/L_a for IIC	0.16 mH
Max. permissible external inductance L_o/L_a for IIB	1.4 mH
Max. permissible external inductance L_o for I	11 mH
Internal capacitance	Negligible
Internal inductance	Negligible
Safety-related max. voltage	253 V AC

Electrical Data

Type of signal	Ex i power supply
----------------	-------------------

Auxiliary Power

Auxiliary power	24 V AC / DC
Auxiliary power voltage range	20 to 28 V AC, 18 to 35 V DC
Auxiliary power frequency range AC	48 – 62 Hz
Auxiliary power consumption	4.6 W
Polarity reversal protection	Yes (DC)
Auxiliary power indication	Green LED

Galvanic Isolation

Test voltage	Acc. to IEC EN 60079-11
Output to power supply	1.5 kV

Output

Min. nominal voltage output	9.4 V
Max. nominal voltage output	10.4 V
Max. nominal current I_n output	180 mA
Current limiting	If the max. nominal current is reached, the output voltage is linearly regulated down to 0 V.

Ambient Conditions

Ambient temperature $^{\circ}$ C	-20 $^{\circ}$ C ... +65 $^{\circ}$ C (Single device) -20 $^{\circ}$ C ... +60 $^{\circ}$ C (Group assembly)
Ambient temperature $^{\circ}$ F	-4 $^{\circ}$ F ... +158 $^{\circ}$ F (Single device) -4 $^{\circ}$ F ... +140 $^{\circ}$ F (Group assembly)
Note	The installation conditions affect the ambient temperature. Observe the "Cabinet installation guide"
Storage temperature $^{\circ}$ C	-40 $^{\circ}$ C ... +80 $^{\circ}$ C
Storage temperature $^{\circ}$ F	-40 $^{\circ}$ F ... +176 $^{\circ}$ F
Max. relative humidity	< 85% at $T_a > 40$ $^{\circ}$ C
Use at the height of	< 2000 m
Electromagnetic compatibility	Tested to the following standards and regulations: EN 61326-1 For use in industrial areas; NAMUR NE 21

Isolator Barriers

Ex i power supply

Ex i field circuit ISpac

9143/10-114-200-10s Art. No. 159788



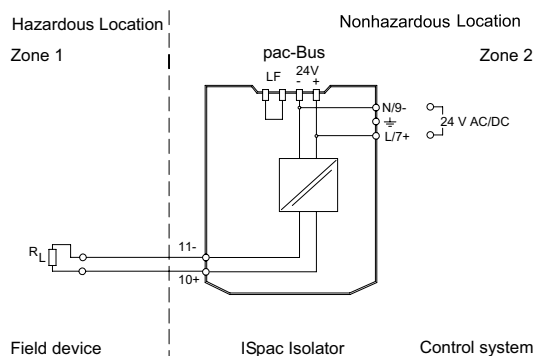
Mechanical Data

Degree of protection (IP)	IP30
Degree of protection (IP) terminals	IP20
Fire resistance (UL 94)	V0
Enclosure material	PA 6.6
Grid dimension	35.2 mm
Width	35.2 mm
Width, inches	1.39 in
Height	114.5 mm
Height, inches	4.51 in
Length	108 mm
Length, inches	4.25 in
Weight	190 g
Weight	0.42 lb

Mounting / Installation

Mounting type	DIN rail (NS35/15, NS35/7.5)
Mounting orientation	Vertical Horizontal
Connection type	Screw terminal
Min. rigid conductor cross section	0.2 mm ²
Max. rigid conductor cross section	2.5 mm ²
Min. flex conductor cross section	0.2 mm ²
Max. flex conductor cross section	2.5 mm ²
Connection cross-section AWG	24 – 14

Technical Drawings – Subject to Alterations



Connection diagram 9143/.....-10.

Isolator Barriers

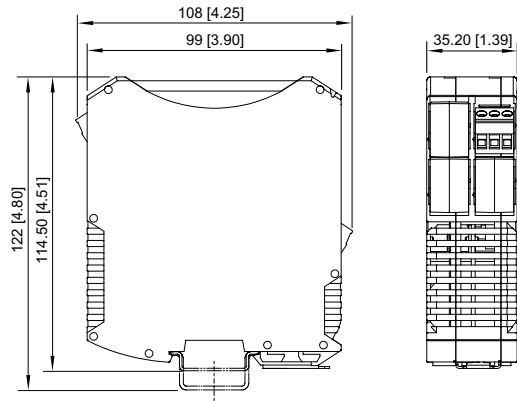
Ex i power supply

Ex i field circuit ISpac

9143/10-114-200-10s Art. No. 159788



Dimensional Drawings (All Dimensions in mm [inches]) – Subject to Alterations



ISpac Series 9185, 9192 with screw terminal

We reserve the right to make alterations to the technical data, dimensions, weights, designs and products available without notice. The illustrations cannot be considered binding.