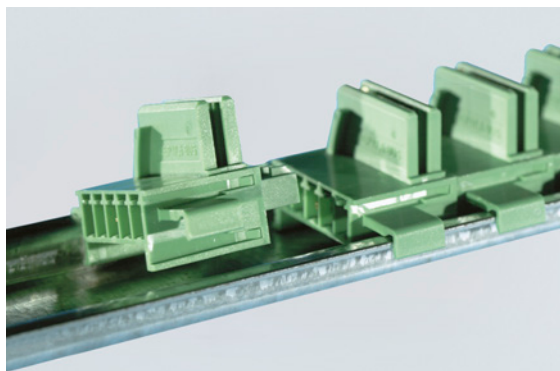


Isolator Barriers

pac-Bus individual element

ISpac

9194/31-17 Art. No. 160731



- ISpac devices are quick to wire, reducing costs
- Can be installed on standard DIN rails without tools by simply snapping into place – can be expanded at any time
- Suitable for industrial environments subject to vibration

MY R. STAHL 9194A



The pac-Bus 9194/31-17 supplies 30 to 50 ISpac devices of series 91xx. The auxiliary power can be fed into the pac-Bus segment via the connection terminals 9194/50-01. The terminal set also enables reading out the collective error message of ISpac 91xx modules. The supply module 9193/21-11-11 can alternatively be used for a redundant supply and for reading out the collective error message. The pac-Bus can be clipped onto DIN rails NS35/15 and NS35/7.5. The pac-Bus 9194/31-17 can be combined with pac-Bus 9294/31-12.

Technical Data

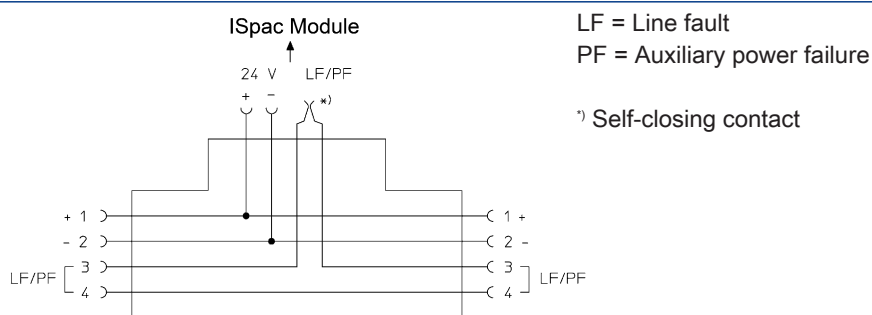
Explosion Protection

| | |
|--------------------------------|--|
| Application range (zones) | 2 |
| IECEX gas certificate | IECEX BVS 10.0042 X |
| IECEX gas explosion protection | Ex ec IIC T4 Gc |
| ATEX gas certificate | BVS 03 ATEX E 213 X |
| ATEX gas explosion protection | Ⓔ II 3 G Ex ec IIC T4 Gc |
| FMus certificate | FM16US0122X |
| cFM certificate | FM16CA0067X |
| Marking cFMus | Class I, Div. 2, Groups A,B,C,D; Class I, Zone 2, Group IIC T4 at Ta = 70°C See Doc. 91 956 01 31 1 |
| Certificates | ATEX (BVS), Brazil (ULB), Canada (FM), China (NEPSI), IECEX (BVS), India (PESO), USA (FM) |
| Ship approval | CCS, EU RO MR (DNV) |
| Declaration of conformity | ATEX (EUK), China (CCC) |

Electrical Data

Connections using pac-Bus terminal set 9194/50-01 or supply module 9193/21-11-11.

Connection diagram



Isolator Barriers

pac-Bus individual element

ISpac

9194/31-17 Art. No. 160731



Auxiliary Power

| | |
|---------------------------|---------|
| Nominal voltage V_{nom} | 24 V DC |
| Nominal current | 4 A |

Ambient Conditions

| | |
|------------------------|-------------------|
| Ambient temperature °C | -20 °C ... +70 °C |
| Ambient temperature °F | -4°F ... +158°F |
| Storage temperature °C | -40 °C ... +80 °C |
| Storage temperature °F | -40°F ... +176°F |
| Max. relative humidity | 95% |
| Use at the height of | < 2000 m |

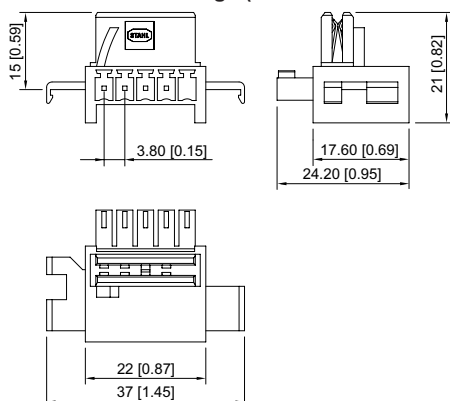
Mechanical Data

| | |
|-------------------------------------|---------|
| Degree of protection (IP) terminals | IP20 |
| Fire resistance (UL 94) | V0 |
| Enclosure material | PA 6.6 |
| Grid dimension | 17.6 mm |
| Width | 17.6 mm |
| Width, inches | 0.69 in |
| Height | 20.3 mm |
| Height in inches | 0.82 in |
| Length | 36.3 mm |
| Length in inches | 1.45 in |
| Weight | 4 g |
| Weight | 0.01 lb |

Mounting / Installation

| | |
|----------------------|----------------------------|
| Mounting type | DIN rail NS35/15, NS35/7.5 |
| Mounting orientation | Horizontal Vertical |

Dimensional Drawings (All Dimensions in mm [inches]) – Subject to Alterations



Series 9194

Accessories

Supply module

Art. No.

Isolator Barriers

pac-Bus individual element

ISpac

9194/31-17 Art. No. 160731



Redundant supply of 24 V DC auxiliary power (with fuse) and reading out the collective error message from Series 92xx ISpac modules which support this function.
Spring clamp terminal connection

268184

We reserve the right to make alterations to the technical data, dimensions, weights, designs and products available without notice. The illustrations cannot be considered binding.