

Installation equipment

Wall-mounting receptacle 60 A



8579/41-509 Art. No. 202086



- Reliable, load-rated disconnect switch with easily visible, lockable handle and switching position display
- An integrated auxiliary contact for control and signaling purposes, can optionally be enhanced with pluggable, easily retrofittable Ex e or Ex i auxiliary contacts
- Wide temperature range
- High mechanical impact and shock resistance
- Perfect protection against the ingress of liquids and dust
- 3D data available to download from the website

MY R. STAHL 8579F



R. STAHL Series 8579/41 receptacles for Class I, Div. 2, Groups A, B, C, D and Zone 1/21 in a 4- and 5-pole version have full AC-3 switching capacity up to 60 A. The high degree of protection IP66 guarantees the highest level of protection against the penetration of dust and water in any application position. Self-cleaning lamellar contacts provide optimum contact and the plugs can be inserted and removed in the zero position quickly and easily. The load disconnect switch, with mechanical locking device and a handle that can be locked in the ON (0) or OFF (I) position, is an additional safety feature.

Technical Data

Explosion Protection

Area of application	European Union (ATEX) Canada IECEX USA
Area of application Note	Other country markings available on request
Application range (zones)	1, 2, 21, 22
IECEX gas certificate	IECEX PTB 06.0020
IECEX gas explosion protection	Ex db eb IIC T6 ... T5 Gb
IECEX dust certificate	IECEX PTB 06.0020
IECEX dust explosion protection	Ex tb IIIC T60 °C / T75 °C Db
ATEX gas certificate	PTB 01 ATEX 1150
ATEX gas explosion protection	Ex II 2 G Ex db eb IIC T6 ... T5 Gb
ATEX dust certificate	PTB 01 ATEX 1150
ATEX dust explosion protection	Ex II 2 D Ex tb IIIC T60 °C / T75 °C Db
FMus certificate	0R6A2.AX
cFM certificate	3050350
Marking FMus	Class I, Div. 2, Groups A,B,C,D; Class II, III, Div. 1, Groups E,F,G, Enclosure Type 3, 4, 4X Class I, Zone 1, AEx d e IIC T6 Gb;
Marking cFM	Class I, Zone 1, Ex d e IIC T6 Gb; Cl. I, Div. 2 per CEC J18-150, Class II, Div. 1, Groups G, Enclosure Type 3, 4, 4X
Certificates	ATEX (PTB), Brazil (ULB), Canada (FM), China (CQST), IECEX (PTB), Korea (KGS), USA (FM)

Installation equipment

Wall-mounting receptacle 60 A



8579/41-509 Art. No. 202086

Electrical Data

Rated operational voltage	208Y/120 V AC
Rated operational current	max. 60 A
Electrical service life	> 2x10 ⁴ switching cycles
Mechanical service life	> 2x10 ⁴ switching cycles
Type of voltage	Low voltage
Switching capacity main contacts	3-phase 600 V AC, 60 hp 480 V AC, 40 hp 250 V AC, 20 hp
Auxiliary contacts	2 (1 NO + 1 NC)
Frequency range	50 / 60 Hz

Device Specific Data

Back-up fuse with thermal protection	80 A gG
Back-up fuse without thermal protection	63 A gG

Ambient Conditions

Ambient temperature °C	-30 °C ... +40 °C (T6) -30 °C ... +55 °C (T5)
Ambient temperature °F	-22 °F ... +104 °F (T6) -22 °F ... +131 °F (T5)

Mechanical Data

IP degree of protection (IEC 60529)	IP66
IP degree of protection (IEC 60079)	IP66
Enclosure type (NEMA250)	3, 4, 4X
Enclosure material	Polyester, Glass fiber reinforced
Silicone-free	No
Multiple conductor connection	2 x 16 mm ²
Multiple conductor connection AWG	2 x AWG 6
Finely stranded connection cross-section	1 x 16 mm ² ... 1 x 50 mm ²
Finely stranded connection cross-section AWG	1 x AWG 6 ... 1 x AWG 1/0
Stranded connection cross-section	1 x 16 mm ² ... 1 x 50 mm ²
Stranded connection cross-section AWG	1 x AWG 6 ... 1 x AWG 1/0
Width	180 mm
Width, inches	7.09 in
Height	212 mm
Height in inches	8.36 in
Length	413 mm
Length in inches	16.27 in
Impact strength (IEC 60079)	7 J
Impact strength (IEC 62262)	IK10
Color code	Blue
Coding (clock hour position)	9
Lockable in	in 0- and I-position
Series	SolConeX
Detailed number of poles	4-pole, 5 wire
Weight	7.8 kg

Installation equipment

Wall-mounting receptacle 60 A



8579/41-509 Art. No. 202086

Mechanical Data

Weight 17.2 lb

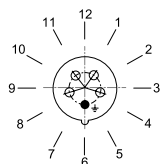
Mounting / Installation

Connection Screw terminal

Components

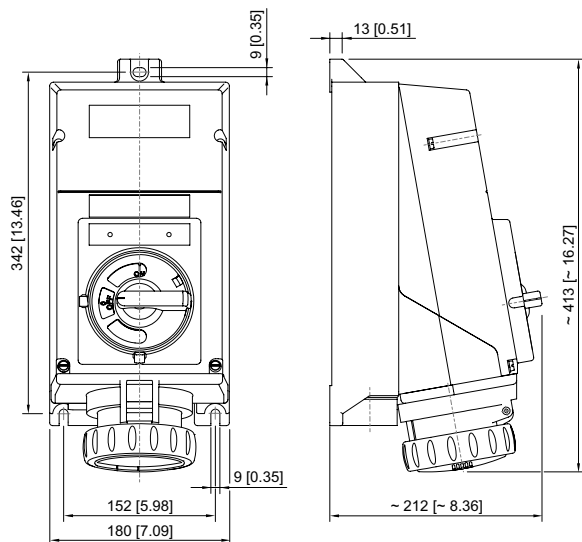
Cable entry note	Entry 1: Bottom left Entry 2: Bottom right
Entry 1 model	can be ordered as an accessory
Entry 1	NPT 1 1/2"
Metal entry possible 1	Yes
Entry 2 model	8290/3-M25
Entry 2 type	Polyamide stopping plug
Entry 2	M25 x 1.5
Metal entry possible 2	No

Technical Drawings – Subject to Alterations



Position of clock hour position
Example: 6 h position

Dimensional Drawings (All Dimensions in mm [inches]) – Subject to Alterations



Wall-mounting receptacle

Accessories

Auxiliary contact

Art. No.


Installation equipment

Wall-mounting receptacle 60 A



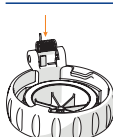
8579/41-509 Art. No. 202086

	2 NC (8080/1-3) 250 V AC/DC Max. 6 A 1.5 to 2.5 mm ² , solid/finely stranded The switching function of the auxiliary contact depends on the installation slot used. Left and right: Synchronising	168356
	1 NC + 1 NO (8080/1-1) 250 V AC/DC Max. 6 A 1.5 to 2.5 mm ² , solid/finely stranded The switching function of the auxiliary contact depends on the installation slot used. Left: Delayed (ON), leading (OFF) Right: Synchronising	168351
	2 NO (8080/1-4) 250 V AC/DC Max. 6 A 1.5 to 2.5 mm ² , solid/finely stranded The switching function of the auxiliary contact depends on the installation slot used. Left and right: Synchronising	168353

Plug		Art. No.
	8579/22-509 5-pole plug, 208Y/120 V AC, 50/60 Hz, 60 A	153089

Spare Parts

Auxiliary contact key		Art. No.
	For removing installed auxiliary contacts	201909

Repair set for receptacles series 8579		Art. No.
	Repair set 8579 hinged cover, blue	275507

We reserve the right to make alterations to the technical data, dimensions, weights, designs and products available without notice. The illustrations cannot be considered binding.