

Isolator Barriers

Switching repeater

Ex i field circuit

9170/21-14-11s Art. No. 203152



- Can be used up to SIL 2 (IEC/EN 61508)
- Wire-breakage and short-circuit monitoring system, which can be disconnected and issues alerts
- Optional line error transparency: The device notifies the control system directly of any field-side line faults via the signal output.

WebCode 9170A



9170 series Ex i switching repeaters can be used for operating contacts, NAMUR proximity sensors or optocouplers. Models are available with one or two channels. The intrinsically safe digital input is always galvanically separated from the output and auxiliary power. The channels in the two-channel devices are galvanically separated. Certain variants transmit frequencies of up to 10 kHz and the output signal can be inverted.

Technical Data

Explosion Protection

Application range (Zones)	2
Ex interface zone	0 1 2 20 21 22
IECEX gas certificate	IECEX BVS 09.0041 X
IECEX gas explosion protection	Ex nA nC [ja Ga] IIC T4 Gc
IECEX dust certificate	IECEX BVS 09.0041 X
IECEX dust explosion protection	[Ex ia Da] IIIC
ATEX gas certificate	DMT 02 ATEX E 195 X
ATEX gas explosion protection	⊕ II 3 (1) G Ex nA nC [ja Ga] IIC T4 Gc
ATEX dust certificate	DMT 02 ATEX E 195 X
ATEX dust explosion protection	⊕ II (1) D [Ex ia Da] IIIC
FMus certificate	FM16US0122X
cFM certificate	FM16CA0067X
Marking cFMus	Class I, Div. 2, Groups A,B,C,D; Class I, Zone 2, Group IIC AIS Class I,II,III, Div. 1, Groups A,B,C,D,E,F,G; Class I, Zone 0, [AEx ia]/[Ex ia] IIC T4 at Ta = 70°C See Doc. 91 706 02 31 1
EAC certificate	EAEU RU S-DE.HA91.B.00100/20
EAC gas explosion protection	⊕ 2 Ex nA nC [ja Ga] IIC T4 Gc X
EAC dust explosion protection	⊕ [Ex ia Da] IIIC X

Isolator Barriers

Switching repeater

Ex i field circuit

9170/21-14-11s Art. No. 203152



Explosion Protection

Certificates	ATEX (BVS), Brazil (ULB), Canada (FM), EAC (ENDCE), IECEx (BVS), India (PESO), Korea (KGS), SIL (exida), USA (FM)
Ship approval	CCS, EU RO MR (DNV GL)
Notes	CCC, UKCA certificate available from 2022 onward
Installation	in Zone 2, Division 2 and in the safe area
Further information	see respective certificate and operating instructions

Safety Data

Max. voltage U_o/V_{oc}	9.6 V
Max. current I_o/I_{sc}	10 mA
Max. power P_o	24 mW
Max. permissible external capacitance C_o/C_a for IIC	3.6 μ F
Max. permissible external capacitance C_o/C_a for IIB	26 μ F
Max. permissible external inductance L_o/L_a for IIC	350 mH
Max. permissible external inductance L_o/L_a for IIB	1000 mH
Internal capacitance	2.42 nF
Internal inductance	Negligible
Safety-related max. voltage	253 V

Functional Safety

SIL	2
-----	---

Electrical Data

Number of channels	2
LFD relay	Yes

Auxiliary Power

Auxiliary power	24 V DC
Auxiliary power voltage range	18 to 31.2 V
Voltage range residual ripple	$\leq 3,6 V_{SS}$
Nominal current	40 mA
Power consumption	0.96 W
Max. power dissipation	0.96 W
Polarity reversal protection	Yes
Undervoltage monitoring	Yes
Operation indication	Green "PWR" LED

Galvanic Isolation

Test voltage as per standard	IEC EN 60079-11
Ex i input to output	1.5 kV AC
Ex i input to auxiliary power	1.5 kV AC
Galv.sep. Ex i input to FMC	1.5 kV AC
Ex i input to Ex i input	500 V AC
Test voltage as per standard	EN 50178
Output to auxiliary power	1,1 kV AC
Output to output	1,1 kV AC
Fault message contact to auxiliary power	350 V AC

Isolator Barriers

Switching repeater

Ex i field circuit

9170/21-14-11s Art. No. 203152



Galvanic Isolation

Galv. separation FMC to output	1,1 kV AC
--------------------------------	-----------

Input

Input signal	As per EN 60947-5-6 (NAMUR)
--------------	-----------------------------

Input current for ON	≥ 2.1 mA
----------------------	---------------

Input current for OFF	≤ 1.2 mA
-----------------------	---------------

Hysteresis	Approx. 0.2 mA
------------	----------------

Input internal resistance R_i	1000 Ω
---------------------------------	---------------

Input for open-circuit voltage U_a	8,2 V
--------------------------------------	-------

Short-circuit current	≤ 8.2 mA
-----------------------	---------------

Min. pulse duration (ON/OFF)	50 μ s
------------------------------	------------

Output

Output per channel	1 electronic output
--------------------	---------------------

Output	1 electronic output
--------	---------------------

Max. output DC load condition	35 V / 50 mA
-------------------------------	--------------

Output switching capacity	1,75 W
---------------------------	--------

Overload-proof	Yes
----------------	-----

Max. voltage drop	2 V
-------------------	-----

Output electrical service life	$> 10^9$ at 35 V/50 mA
--------------------------------	------------------------

Output switching frequency	10 kHz
----------------------------	--------

Switching delay ON/OFF	60 μ s
------------------------	------------

Switching delay OFF/ON	50 μ s
------------------------	------------

INV switch user adjustment	Activated/deactivated
----------------------------	-----------------------

Switching state indication	Yellow "OUT" LED per channel
----------------------------	------------------------------

Fault message contact switching capacity	30 V / 100 mA
--	---------------

LF switch user adjustment	Activated/deactivated
---------------------------	-----------------------

Indication of line fault	Red "LF" LED for each channel
--------------------------	-------------------------------

Wire breakage error detection	$I_E < 0.05$ to 0.35 mA
-------------------------------	-------------------------

Short circuit error detection	$R_E < 100$ to 360 ohm
-------------------------------	------------------------

Line fault and loss of power signalization	Contact (30 V / 100 mA) closed to ground in case of fault pac-Bus, floating contact (30 V / 100 mA)
--	--

Note	All specifications given for switching times and frequencies apply for a load of 24 V, 1 mA ... 50 mA DC
------	---

Ambient Conditions

Ambient temperature °C	-20 °C ... +70 °C (Single device) -20 °C ... +60 °C (Group assembly)
------------------------	---

Ambient temperature °F	-4 °F ... +158 °F (Single device) -4 °F ... +140 °F (Group assembly)
------------------------	---

Storage temperature °C	-40 °C ... +80 °C
------------------------	-------------------

Storage temperature °F	-40 °F ... +176 °F
------------------------	--------------------

Max. relative humidity	95%
------------------------	-----

Use at the height of	< 2000 m
----------------------	------------

Electromagnetic compatibility	Tested to the following standards and regulations: EN 61326-1 Use in industrial environment; NAMUR NE 21
-------------------------------	--

Mechanical Data

Degree of protection (IP)	IP30
---------------------------	------

Degree of protection (IP) terminals	IP20
-------------------------------------	------

Isolator Barriers

Switching repeater

Ex i field circuit

9170/21-14-11s Art. No. 203152



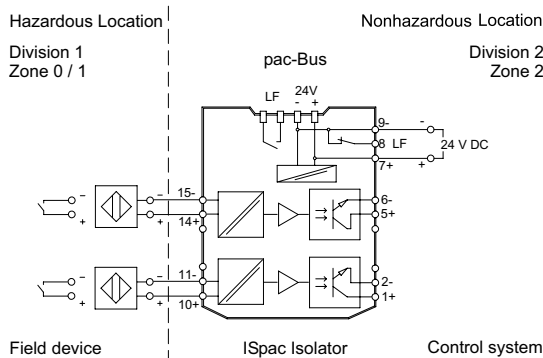
Mechanical Data

Fire resistance (UL 94)	V0
Enclosure material	Polyamide
Grid dimension	17.6 mm
Width	17.6 mm
Width, inches	0.69 in
Height	114.5 mm
Height, inches	4.51 in
Length	108 mm
Length, inches	4.25 in
Weight	0.18 kg
Weight	0.4 lb

Mounting / Installation

Mounting type	DIN rail NS35/15, NS35/7.5
Mounting orientation	Horizontal Vertical
Connection type	Screw terminal
Min. rigid conductor cross section	0.2 mm ²
Max. rigid conductor cross section	2.5 mm ²
Min. flex conductor cross section	0.2 mm ²
Max. flex conductor cross section	2.5 mm ²
Connection cross-section AWG	24 – 13

Technical Drawings – Subject to Alterations



Connection diagram 9170/21-14-11

Isolator Barriers

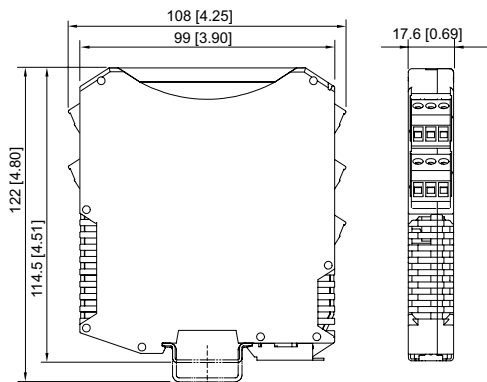
Switching repeater

Ex i field circuit



9170/21-14-11s Art. No. 203152

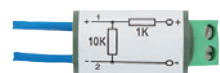
Dimensional Drawings (All Dimensions in mm [inches]) – Subject to Alterations



ISpac Series 9146, 9147, 9160, 9162, 9163, 9165,
9167, 9170, 9172, 9175, 9176, 9180, 9182, 9193,
ISbus Series 9412 with screw terminal

Accessories

Resistance coupling element



Connection of additional contacts in the Ex area as well, in order to enable short circuit and open circuit detection.

Art. No.

105944

We reserve the right to make alterations to the technical data, dimensions, weights, designs and products available without notice. The illustrations cannot be considered binding.