

EC-910-AFZ-I04-P10 Art. No. 303274



- All-round Full HD zoom camera with 3x zoom
- PoE+, 24 VDC or 24 VAC
- Including wall / ceiling mount bracket
- Zones 1, 2, 21, 22
- Day / night, WDR, ONVIF Q, S and T
- Available without cable or with a 4 m or 10 m long armoured multi-cable

MY R. STAHL EC910AFZA



ONVIF



The EC-910-AFZ PoE+ camera combines state-of-the-art camera technology with Full HD resolution, WDR and zoom function for hazardous areas. The light-sensitive 3x zoom version features an extreme viewing angle of up to 90° (horizontal), making it ideal for monitoring rooms or inspection windows. To ensure guaranteed resistance to adverse weather, the EC-910-AFZ with 3x zoom has been tested and certified by Lloyd's Register for marine application. Lloyd's attests the camera's reliability with regard to temperature, corrosion and vibration resistance as well as EMC. Their design makes the cameras universally applicable in the oil and gas industries and in the chemical, pharmaceutical and related industries. The camera is certified acc. to ATEX, IECEx for Zone 1, 2, 21, 22. Additional certificates available are NEC C1 D2, CEC C1 Z1. The stainless-steel sun-protection and the wall / ceiling mount bracket are part of the standard delivery.

## Technical Data

### Explosion Protection

|                                 |                                  |
|---------------------------------|----------------------------------|
| Application range (Zones)       | 1<br>2<br>21<br>22               |
| Certifications                  | ATEX, IECEx                      |
| IECEx gas certificate           | ULD 18.0001X                     |
| IECEx gas explosion protection  | Ex db IIB T6...T5 Gb             |
| IECEx dust certificate          | ULD 18.0001X                     |
| IECEx dust explosion protection | Ex tb IIIC T85°C...T100°C Db     |
| ATEX gas certificate            | 18 ATEX 2001X                    |
| ATEX gas explosion protection   | ⊕ II 2 G Ex db IIB T6...T5 Gb    |
| ATEX dust certificate           | 18 ATEX 2001X                    |
| ATEX dust explosion protection  | ⊕ II 2 D Ex tb IIIC T85°C...T100 |

### Electrical Data

|                                  |                               |
|----------------------------------|-------------------------------|
| Rated operational voltage AC     | 24 V                          |
| Rated operational voltage DC     | 24 V                          |
| Rated operational current AC     | 1.32 A                        |
| Rated operational current for DC | 0.9 A                         |
| Power consumption                | 21 W                          |
| Interfaces                       | TX, PoE+                      |
| Connection                       | Ethernet LAN 100Base-TX, RJ45 |

EC-910-AFZ-I04-P10 Art. No. 303274

**Camera Data**

|                                      |   |
|--------------------------------------|---|
| Sensor                               | 1/2" Exmor R CMOS   |
| Lens                                 | f = 3.6 mm (w), 10 mm (d) From F1.5 to F2.7                           |
| Viewing angle                        | 88.4° (wide) 40.7° (tele)   |
| Focus                                | Automatic focus   |
| Zoom                                 | 3x (96x digital zoom)   |
| Resolution                           | Full HD to 320x180 p  |
| Pixel                                | 2.17 megapixels   |
| Minimum working distance             | 300 mm (wide to tele.)  |
| Minimum illumination B/W (ICR-ON)    | 0.1 lx IRE 50% 0.002 IRE 50% (slow shutter)                           |
| Minimum illumination color (ICR-OFF) | 0.15 lx IRE 50% 0,0375lx (1/7.5s) slow shutter IRE 50% (slow shutter) |
| Number of streams                    | 3 independent video streams Full HD                                   |
| Frame rate (fps)                     | 1 to 60 frames per second   |
| S/N ratio                            | 50 dB   |
| Back light compensation              | Yes   |
| Compression                          | H.264, MJPEG, JPEG, MPEG4   |
| White balance                        | Auto, ATW, internal, external   |
| Wide Dynamik Range                   | On/off, light level   |
| Motion detection                     | Yes   |
| Web server                           | Yes   |

**Software**

|                       |   |
|-----------------------|---|
| Network protocol      | ONVIF profiles Q,S,T  |
| Network Configuration | TCP/IPv4-IPv6, UDP/IPv4-IP6, HTTP, HTTPS, NTP, DHCP, WS- DISCOVERY, DSCP, SOAP, DNS, IGMP (Multicast) |
| Streaming             | RTSP, RTCP, RTP/IPv4-IPv6, HTTP, Multicast  |

**Ambient Conditions**

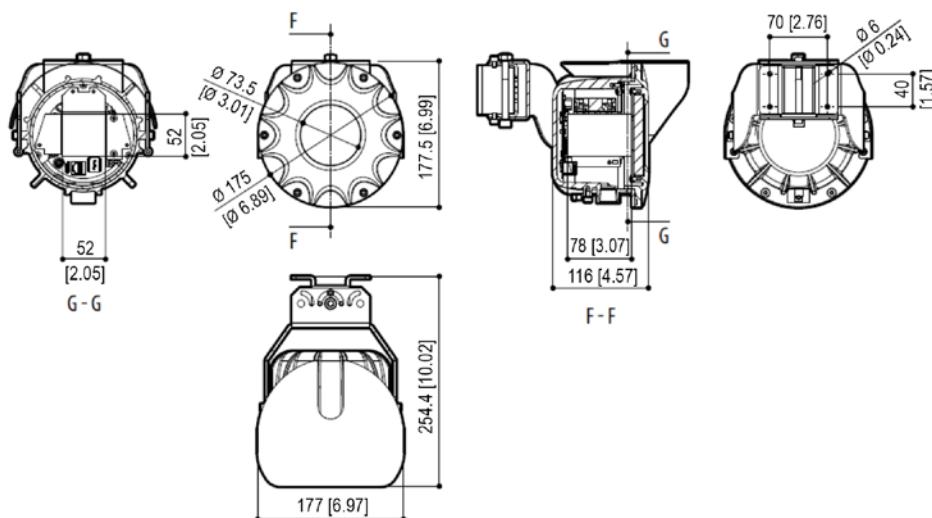
|                        |                   |
|------------------------|-------------------|
| Ambient temperature °C | -40 °C ... +65 °C |
|------------------------|-------------------|

**Mechanical Data**

|                              |                               |
|------------------------------|-------------------------------|
| Version                      | Movable viewing angle         |
| Degree of protection (IP)    | IP66, 67, 68, 69              |
| Note on degree of protection | With IP68 (2h, 5m, 16 ft)     |
| Enclosure material           | Stainless steel 316L          |
| Surface treatment            | Shotblasted + electropolished |
| Cable structure              | Armoured cable                |
| Connection cable             | with cable                    |
| Cable length                 | 10 m                          |
| Opening for cable gland      | 1 x 1/2" NPT                  |
| Integrated wiper             | No                            |
| Feature                      | Wall/ceiling fastening incl.  |
| Package weight               | 14 kg                         |
| Package dimensions           | 640 x 208 x 590 mm            |
| Weight                       | 6.5 kg                        |
| Weight                       | 14.33 lb                      |

EC-910-AFZ-I04-P10 Art. No. 303274

Dimensional Drawings (All Dimensions in mm [inches]) – Subject to Alterations



## Accessories

### Pole and Corner module EC-910

Art. No.



#### Pole and Corner module EC-910-AFZ

Stainless steel 316L, electropolished  
Payload: 30 kg [66.14 lbs]  
Pole diameter: 60 mm ... 200 mm [2.36 x 7.87 inches]  
Dimension: 120 x 86 mm [4.72 x 3.39 inches]

264965

### Ex e Terminal box

Art. No.



#### JCT-8146-Ethernet+Analog 5xcable glands

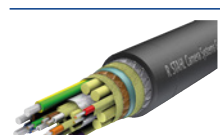
Terminal box, polyester resin  
Version for ethernet Tx or analog cameras  
Dimensions without cable glands (HxWxD): 340.5 mm x 340.5 mm x 91 mm  
Ingress protection: IP66  
equipped with:  
5 x cable glands:  
2 x CMP-25SC2KVAR KLE MsNi M25x1.5  
1 x 8161/7-M25-1707 with red stopping plug  
2 x 8161/7-M20-1304 with red stopping plug  
usable for:  
EC-750, EC-910-AFZ, EC-940S-AFZ (ATEX, IECEx)  
EC-840S-TIC (ATEX, IECEx), EC-94x-PTZ, Water tank

265668

EC-910-AFZ-I04-P10 Art. No. 303274


**Camera multi-cable armored**

**Art. No.**

|  |  |               |
|--|--|---------------|
|  | <p><b>VB-CAM-MULTI-Ethernet-ARM</b><br/>                 1 x Ethernet cable<br/>                 3 x power supplies 2.5 mm<sup>2</sup> / AWG14<br/>                 7 x data cable 0.34 mm<sup>2</sup> / AWG22<br/>                 -60 °C ... +80 °C [-76 °F ... +176 °F]<br/>                 19.2 ±0.5 mm [0.76 ±0.02 inches] outer diameter<br/>                 IEC 60332-1 flame-resistant<br/>                 IEC 60754-2 halogen-free<br/>                 DIN 60811-404 oil-resistant<br/>                 NEK 606 mud-resistant<br/>                 Suitable for EC-910-AFZ, EC-940-PTZ-HDI and -HFI, EC-940-AFZ-HDI-O4H and -O5H, EC-940S-AFZ-Hxx, EC-840S-TIC-19I<br/>                 Price per meter</p> | <p>252571</p> |
|--|--|---------------|

**Cable glands**

**Art. No.**

|  |   |               |
|--|---|---------------|
|  | <p><b>CMP-20PX2K-REX-MsNi-NPT 1/2" OR-SET</b><br/>                 Cable gland with RapidEx compound<br/>                 explosion-protected<br/>                 Clamping-range: 12.5 ... 20.9 mm<br/>                 for EC-910</p>       | <p>275571</p> |
|  | <p><b>CMP-20sPX2K-REX KLE MsNi NPT 1/2" OR-SET</b><br/>                 Cable gland with RapidEx compound<br/>                 explosion-protected<br/>                 Clamping-range: 9.5 ... 15.9 mm<br/>                 for EC-910</p>   | <p>278866</p> |
|  | <p><b>CMP-20sPXSS2K-REX KLE MsNi NPT 1/2" SET</b><br/>                 Cable gland with RapidEx compound<br/>                 explosion-protected<br/>                 Clamping-range: 6.1 mm ... 11.7 mm<br/>                 for EC-910</p> | <p>279480</p> |

We reserve the right to make alterations to the technical data, dimensions, weights, designs and products available without notice. The illustrations cannot be considered binding.